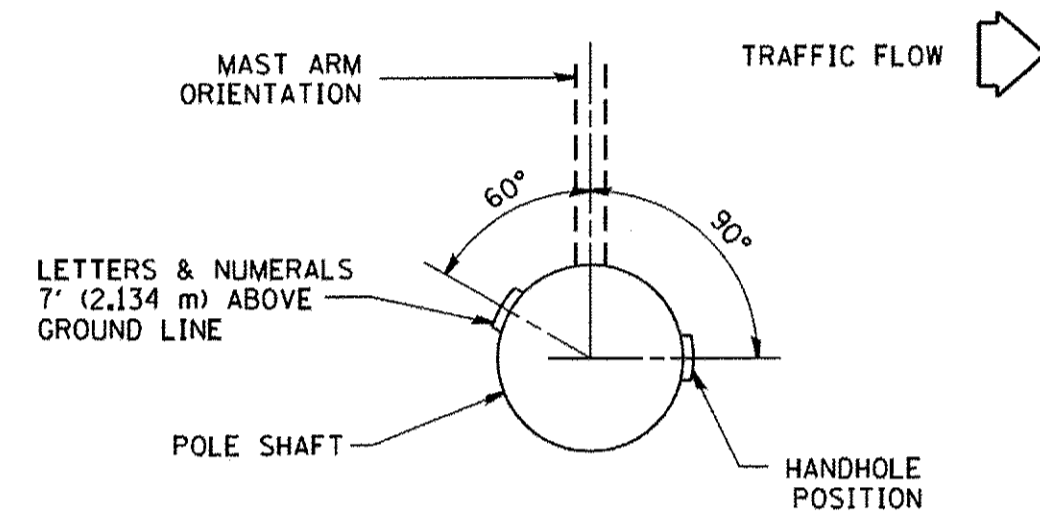
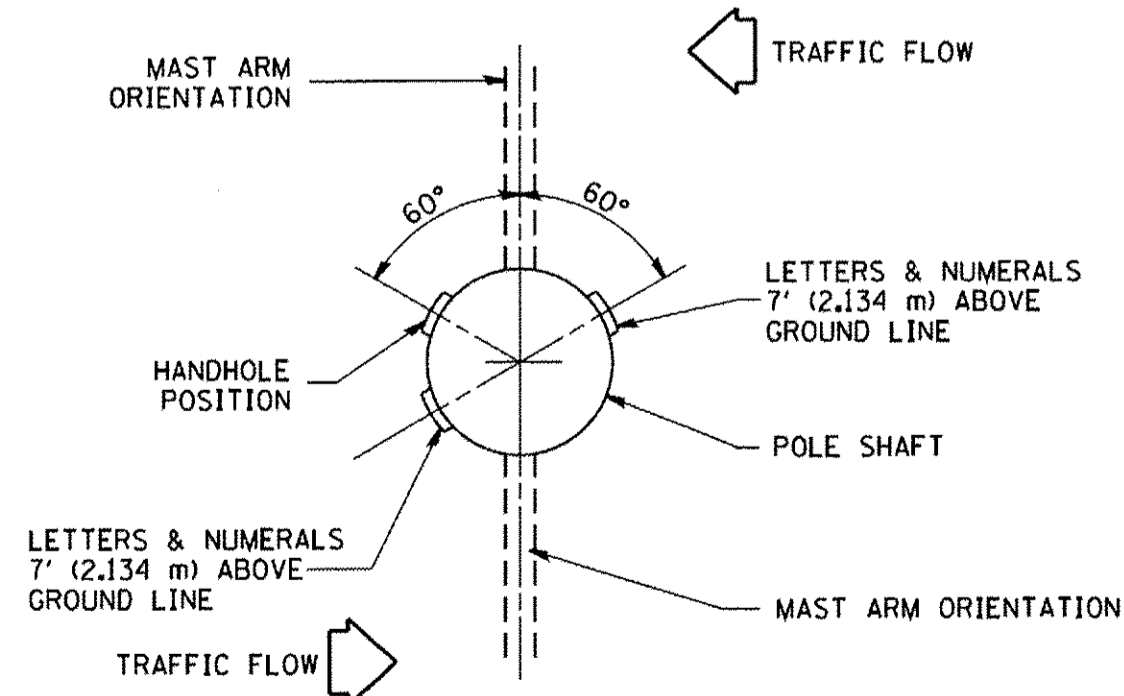


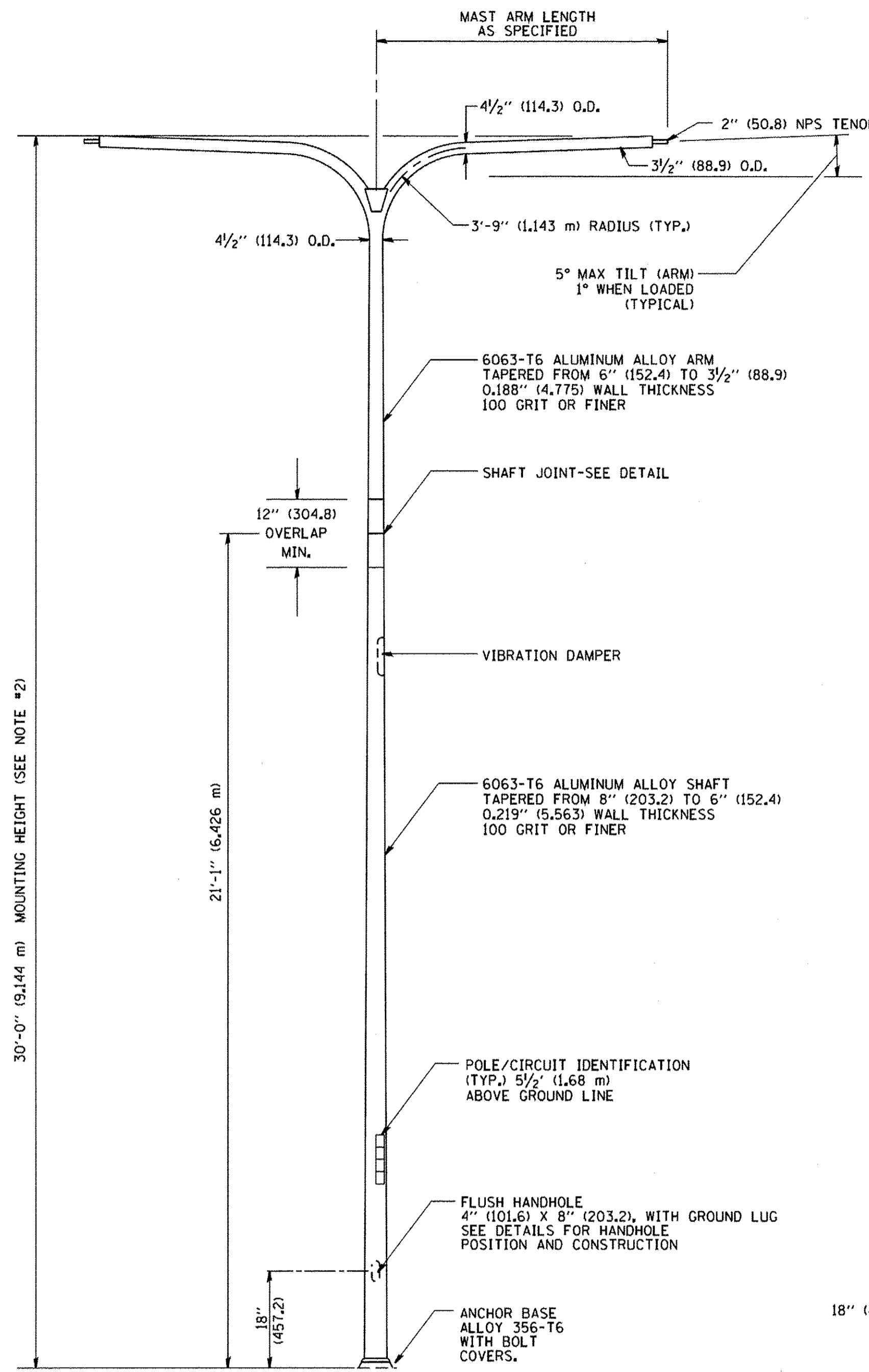
POSITION OF HANDHOLE AND POLE NUMBER FOR SINGLE MAST ARM POLES MOUNTED ON BRIDGE PARAPET OR BARRIER WALL



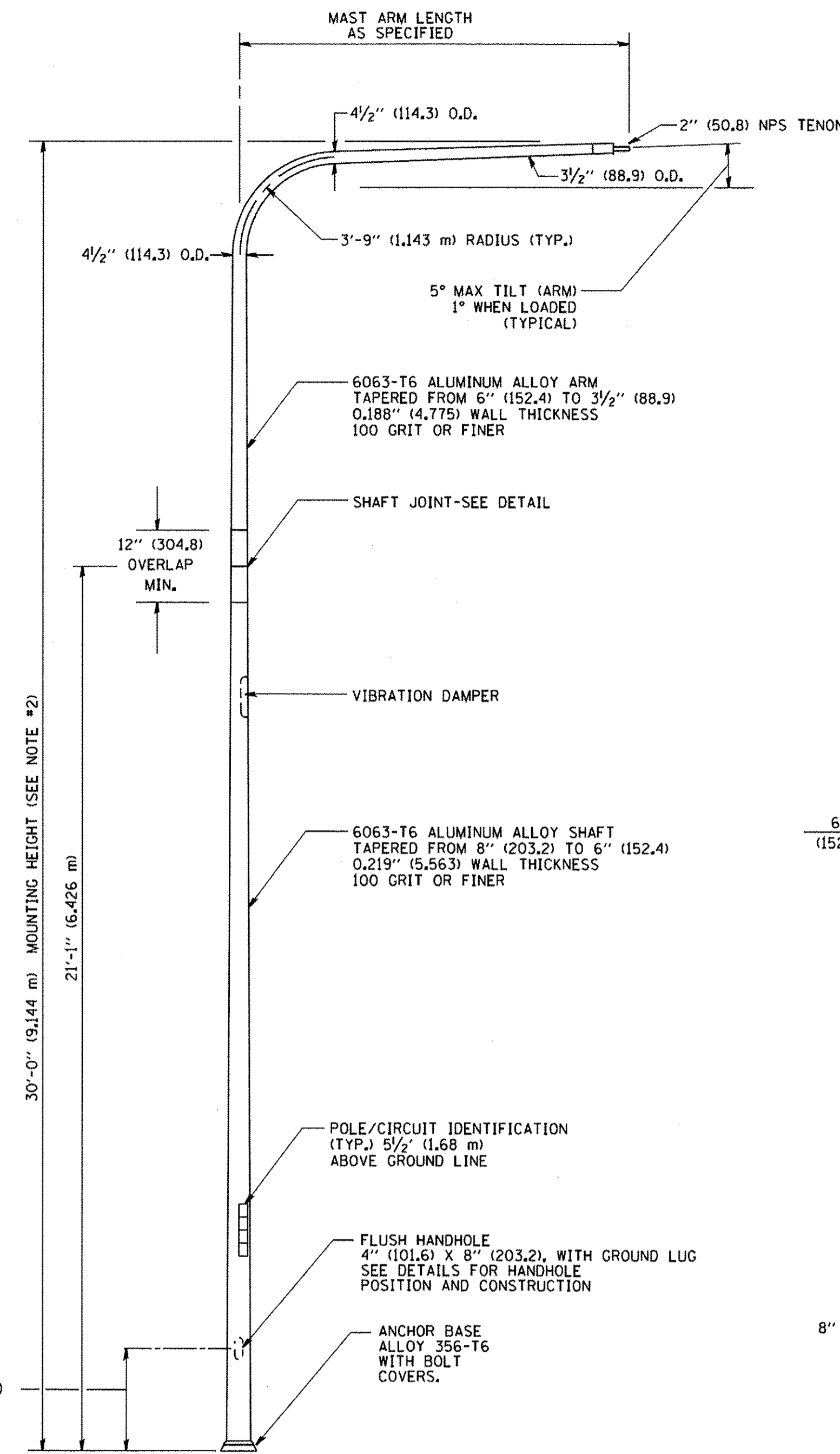
POSITION OF HANDHOLE AND POLE NUMBER FOR SINGLE MAST ARM POLES



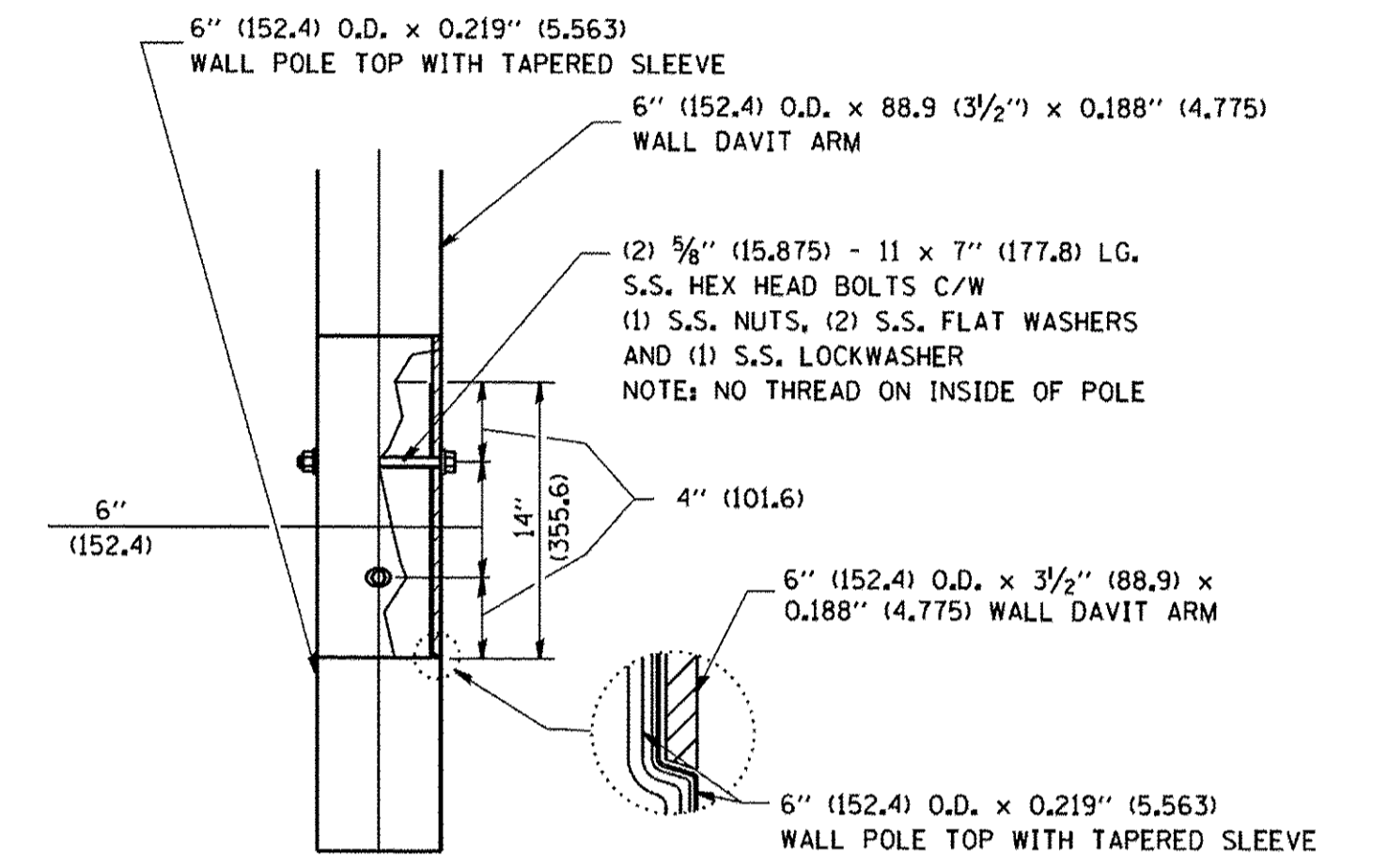
POSITION OF HANDHOLE AND POLE NUMBER FOR TWIN MAST ARM POLES



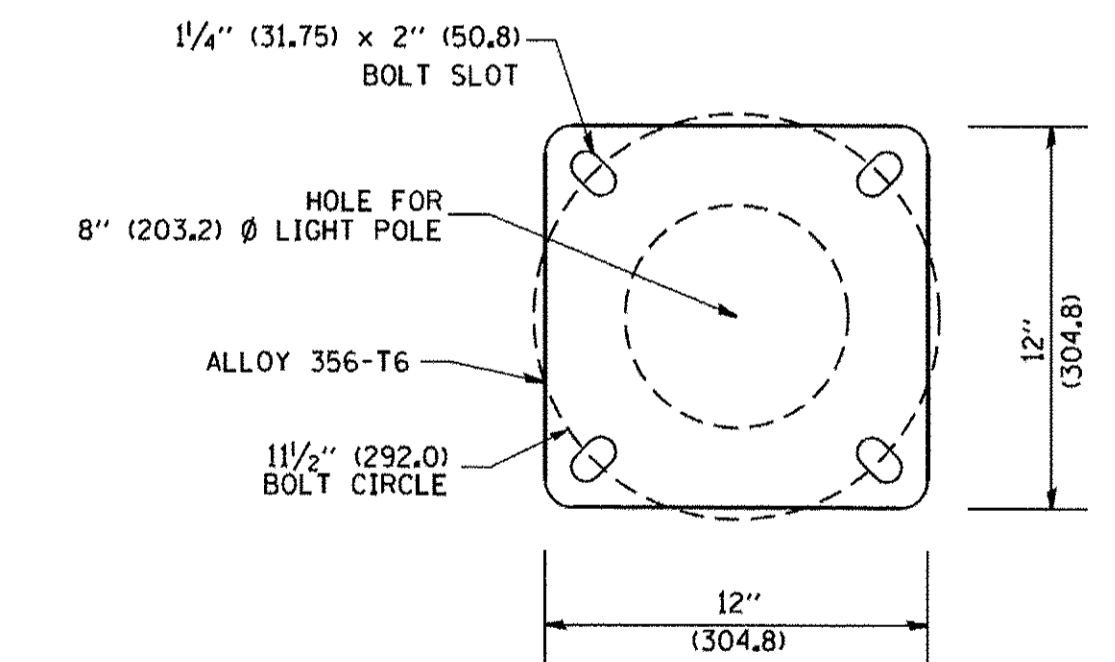
TWIN ARM POLE



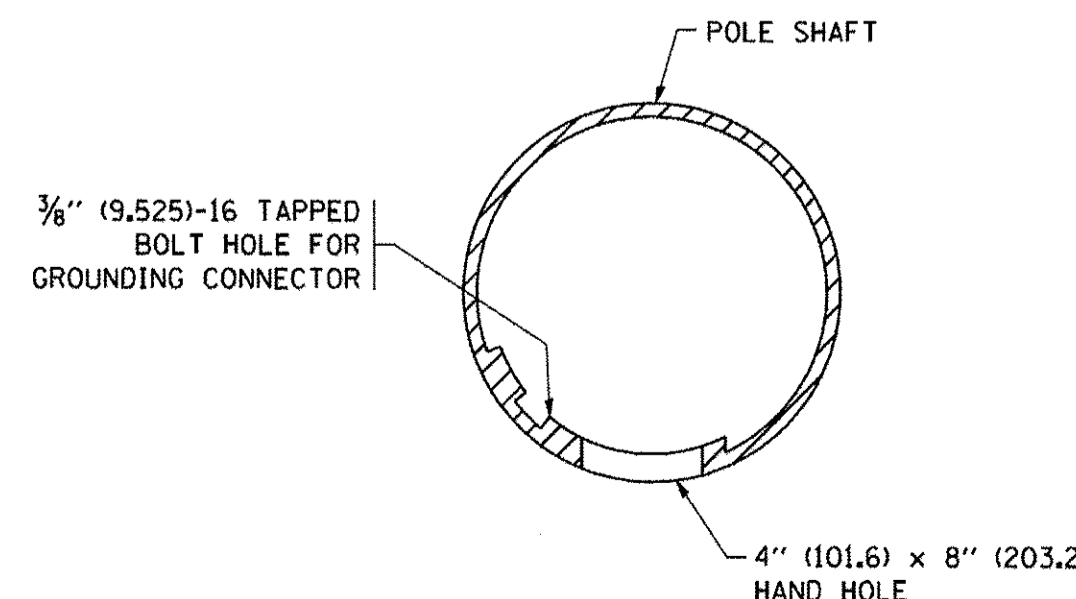
SINGLE ARM POLE



DAVIT ARM CONNECTION
[14" (355.6) OVERLAP SHOWN]



LIGHT POLE BASE PLATE DETAIL
1 1/2" (292.0) BOLT CIRCLE



HANDHOLE DETAIL
(N.T.S.)

- NOTES:
1. ALL DIMENSIONS ARE IN INCHES (MILLIMETERS) UNLESS OTHERWISE SHOWN.
 2. MOUNTING HEIGHT IS DEFINED AS THE DISTANCE FROM THE CENTERLINE OF THE TENON TO THE BOTTOM OF THE ANCHOR BASE.
 3. TWO PIECE SHAFT WILL BE MATCHED MARKED AND INTERCHANGEABLE BETWEEN DIFFERENT UNITS. FIELD DRILLING OF THE HOLES WILL NOT BE ALLOWED.
 4. THE LIGHT POLE WILL MEET AASHTO DESIGN CRITERIA AS SPECIFIED.
 5. THE INSTALLING CONTRACTOR SHALL PROVIDE A UL LISTED GROUNDING CONNECTOR, BURNDY K2C23, T&B SP4DL OR APPROVED EQUAL.
 6. LIGHT POLES WILL NOT BE INSTALLED WITHOUT MAST ARMS AND LUMINAIRES.
 7. LIGHT POLES WILL BE SET PLUMB ON THE FOUNDATION WITHOUT THE USE OF LEVELING NUTS, WASHERS OR SHIMS.
 8. LIGHTING UNIT IDENTIFICATION NUMBERS SHALL BE INSTALLED BEFORE THE LIGHTING UNIT IS ENERGIZED.

PLOT SCALE: 1" = 10'-0" (304.8 mm) (SEE NOTE #2)
 FILE NAME: ...\\10095-shd-light-de-tails03.dgn
 USER NAME: eship
 PLOT DATE: 2/19/2013

| | |
|-------------------|-----------|
| DESIGNED - GHT | REVISED - |
| DRAWN - JLW | REVISED - |
| CHECKED - GRR | REVISED - |
| DATE - 02/04/2013 | REVISED - |



STATE OF ILLINOIS
DEPARTMENT OF TRANSPORTATION

LIGHTING DETAILS

SCALE: SHEET NO. OF SHEETS STA. TO STA.

| | | | | |
|---------------------------|----------------|--------|--------------|-----------|
| F.A.I. RTE. | SECTION | COUNTY | TOTAL SHEETS | SHEET NO. |
| | 08-00251-00-BR | COOK | 118 | 50 |
| CONTRACT NO. 63817 | | | | |
| ILLINOIS FED. AID PROJECT | | | | |