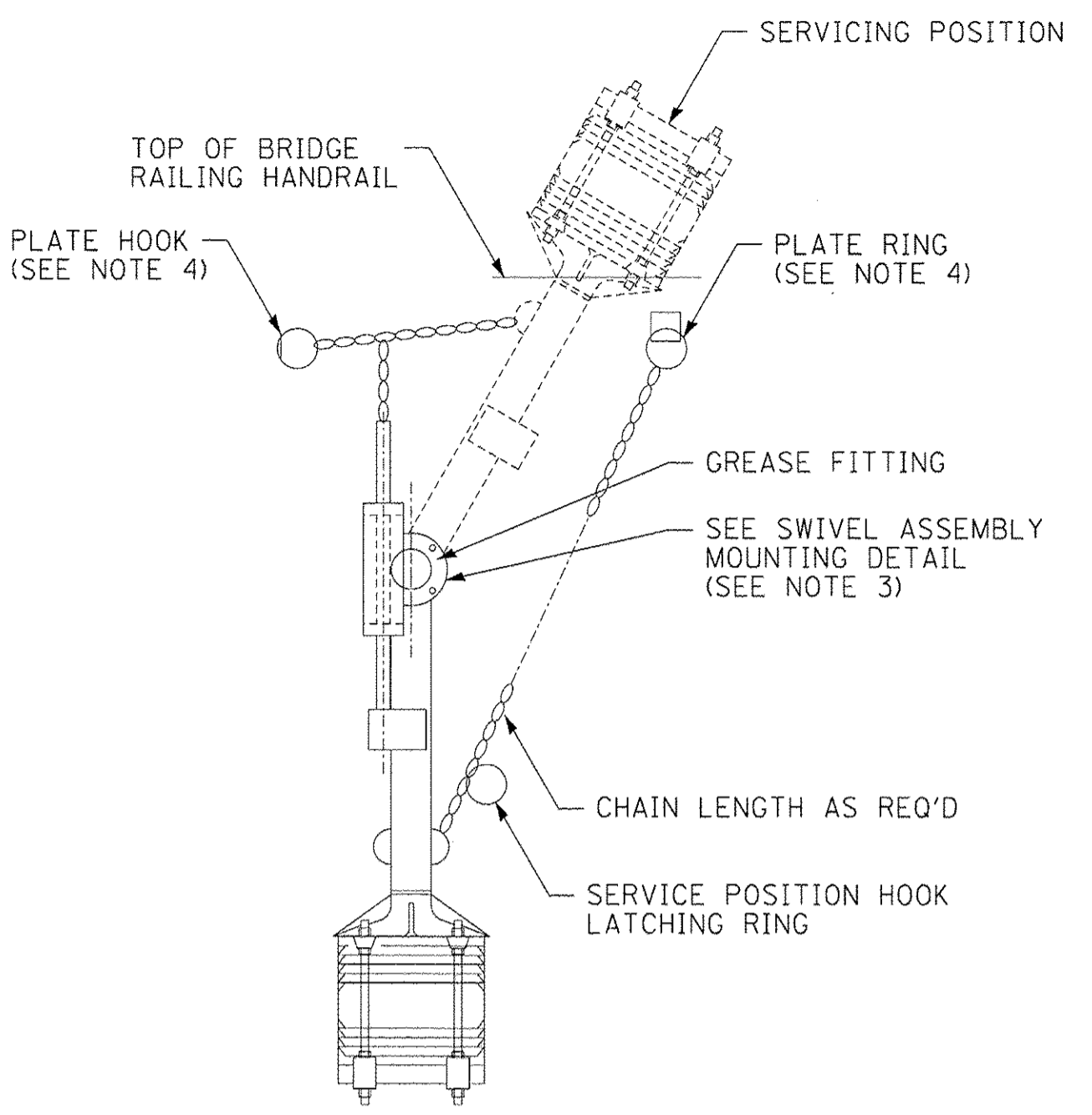
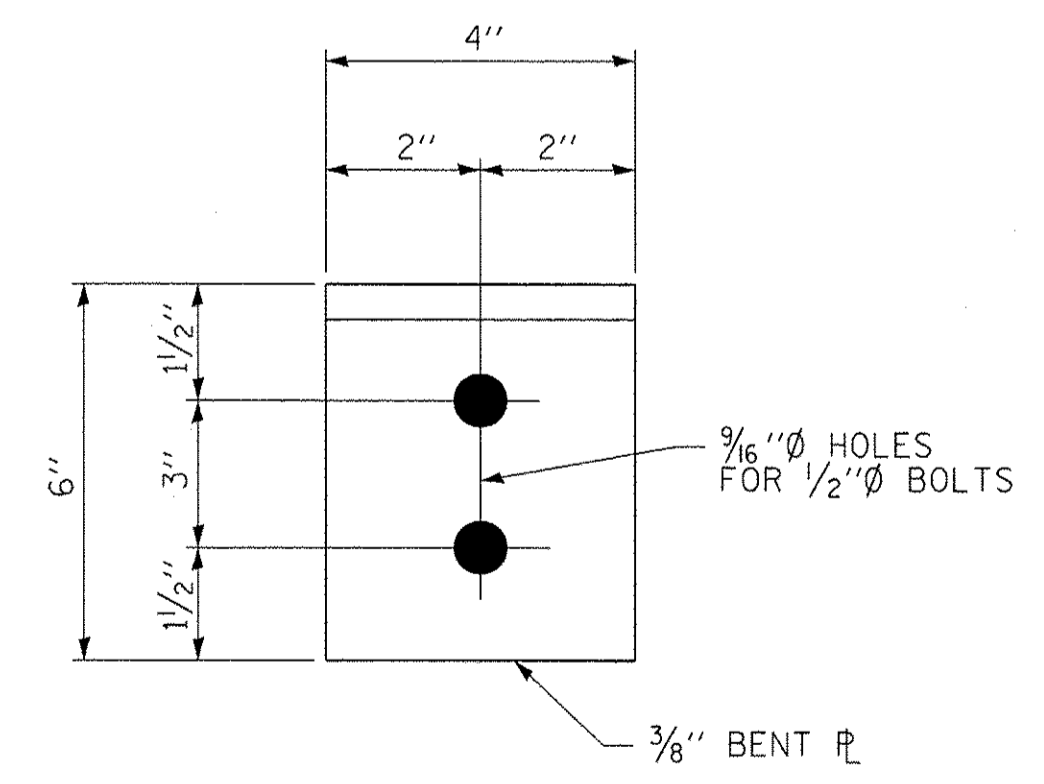


NAVIGATION LIGHT SUPPORT DETAIL
(SOUTH SIDE LOOKING WEST, NORTH SIDE SIMILAR)

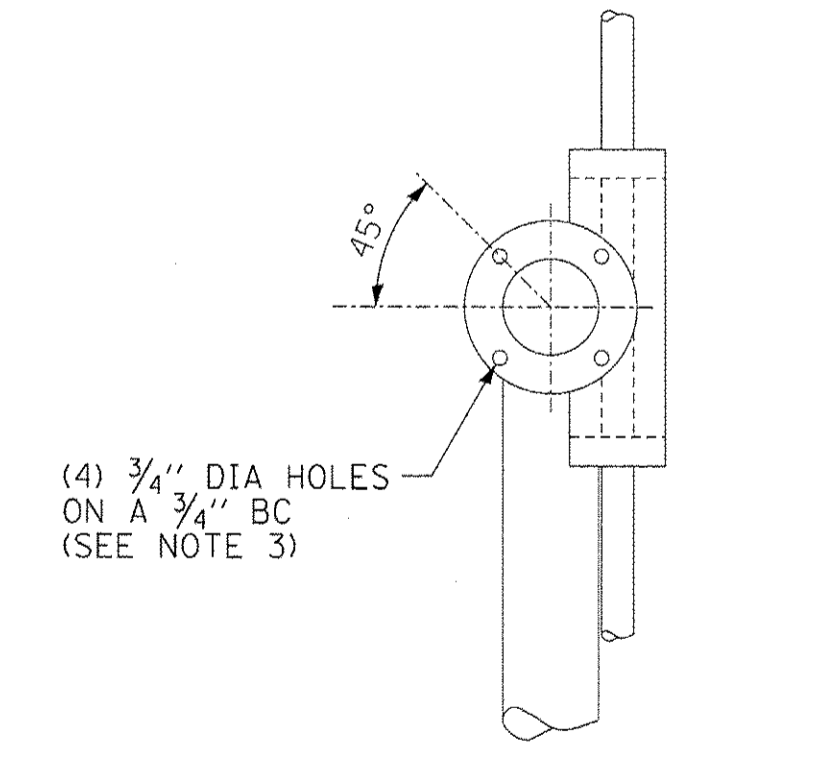
NAVIGATION LIGHT RED AND GREEN
(SEE PLANS FOR ACTUAL LOCATIONS)



NAVIGATION LIGHT FIXTURE AND SWIVEL ASSEMBLY
NTS



LOCKING ROD SUPPORT DETAIL
NTS



SWIVEL ASSEMBLY MOUNTING DETAIL
NTS

- NOTES:**
1. ALL DIMENSIONS ARE IN INCHES UNLESS NOTED OTHERWISE.
 2. THE CONTRACTOR SHALL SUBMIT SHOP DRAWINGS TO THE ENGINEER FOR APPROVAL OF THE NAVIGATION LIGHT ASSEMBLY.
 3. PIPE MOUNTING FLANGE TO HAVE (4) - 3/4" DIA HOLES. DRILL AND PROVIDE EXPANSION ANCHORS.
 4. LOCKING ROD SHALL BE ATTACHED TO BICYCLE RAILING. SEE STRUCTURAL PLANS FOR BICYCLE RAILING DETAILS.
 5. FOR DIMENSIONS OF OTHER STRUCTURAL MEMBERS, REFER TO STRUCTURAL DRAWINGS.
 6. TOP OF NAVIGATION LIGHT HOUSING SHALL BE AT THE SAME ELEVATION AS THE BOTTOM OF ADJACENT GIRDER.

PLOT SCALE: 1:1
 R:\Projects\10255-00\Drawings\10255-00-01-01.dwg
 USER: eship
 PLOT DATE: 2/19/2013

| | | |
|----------------------------------|-------------------|-----------|
| FILE NAME = | DESIGNED - CHT | REVISED - |
| ...10255-shr-light-details04.dgn | DRAWN - JLW | REVISED - |
| USER NAME = eship | CHECKED - GRR | REVISED - |
| PLOT DATE = 2/19/2013 | DATE - 02/04/2013 | REVISED - |



STATE OF ILLINOIS
DEPARTMENT OF TRANSPORTATION

| NAVIGATIONAL LIGHT DETAILS | | | |
|----------------------------|-----------|-----------|--------------|
| SCALE: | SHEET NO. | OF SHEETS | STA. TO STA. |

| | | | | |
|---------------------------|----------------|--------|--------------|-----------|
| F.A.I. RTE. | SECTION | COUNTY | TOTAL SHEETS | SHEET NO. |
| | 08-00251-00-BR | COOK | 118 | 52 |
| CONTRACT NO. 63817 | | | | |
| ILLINOIS FED. AID PROJECT | | | | |