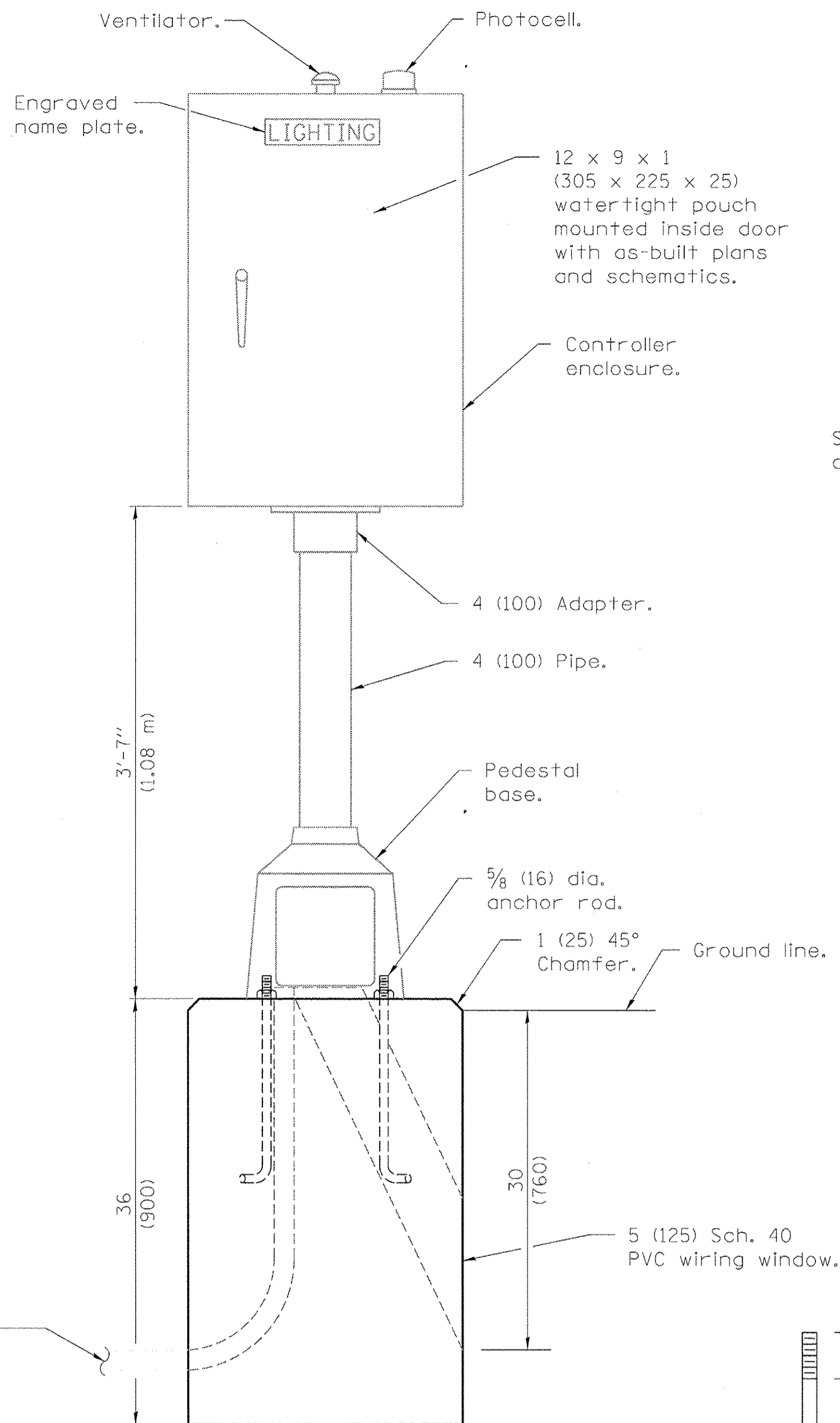
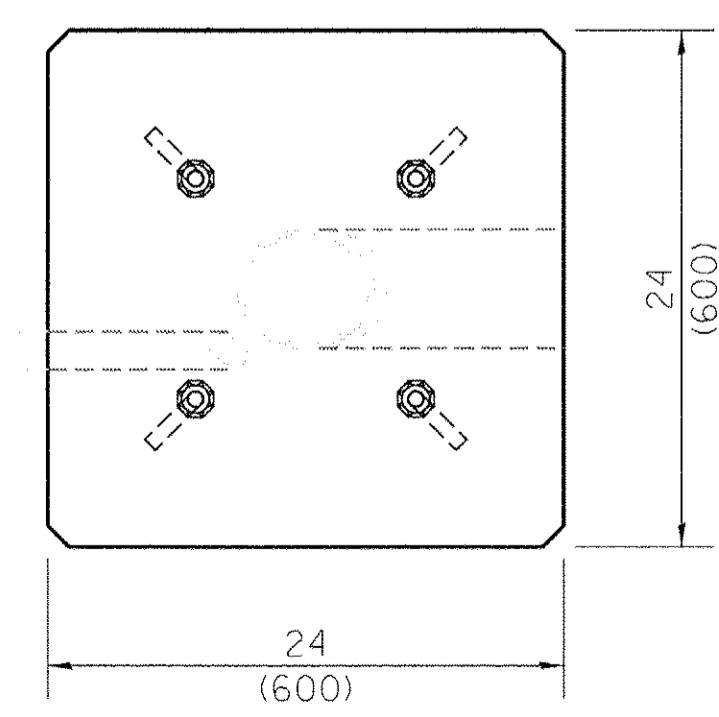


ELECTRIC SERVICE INSTALLATION

* Size larger as needed.
** Or as directed by Utility Company.

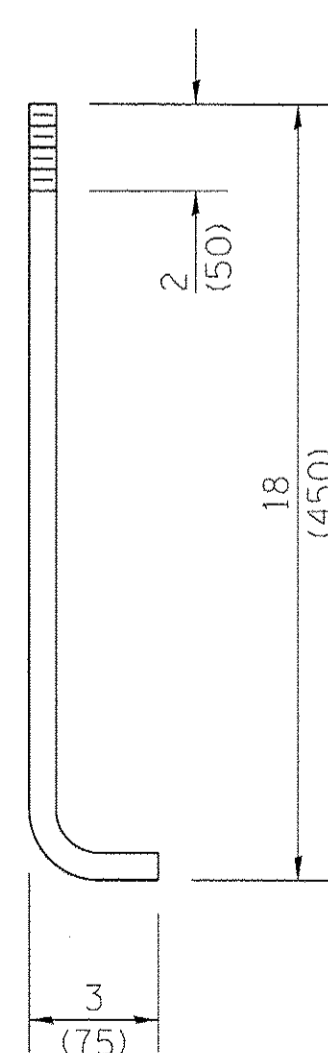


LIGHTING CONTROLLER

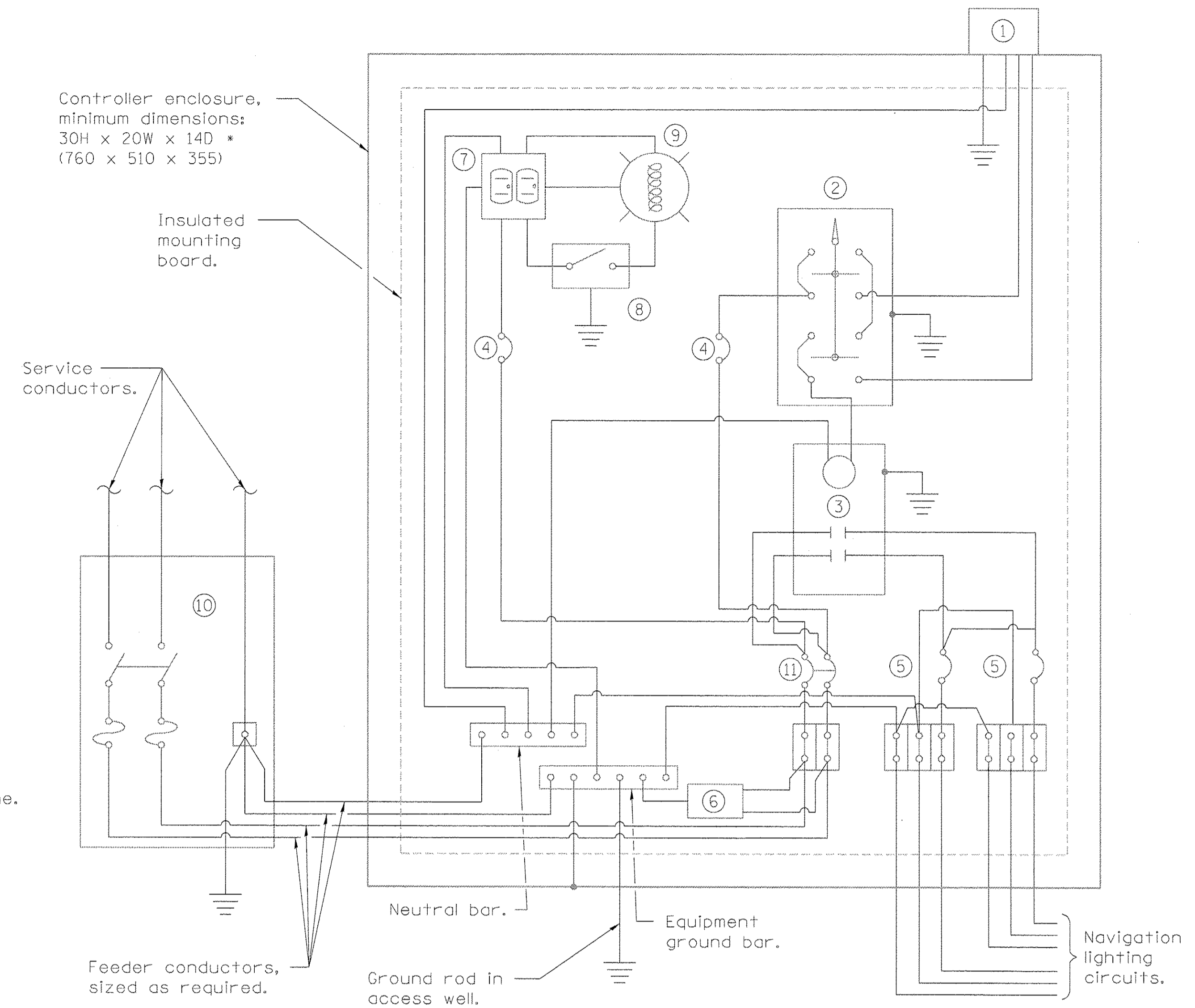


FOUNDATION (PLAN)

(Work pad not shown.)



ANCHOR ROD DETAIL



CONTROL SCHEMATIC

- ① Photocell with integral surge arrester.
- ② HAND-OFF-AUTO selector switch.
- ③ 100 amp*, electrically held contactor.
- ④ 15 amp, 1-pole circuit breaker.
- ⑤ 20 amp*, 2-pole circuit breaker (two spares required but not shown).
- ⑥ Surge arrester.
- ⑦ GFCI duplex receptacle.
- ⑧ Single-pole, single-throw switch.
- ⑨ Incandescent luminaire, enclosed and gasketed with 100 watt lamp.
- ⑩ Service disconnect switch - 2-pole, 3-wire, 60 amp*, fused at 60 amp*, solid neutral in NEMA 4X enclosure having lockable external handle.
- ⑪ 60 amp*, 2-pole circuit breaker.

* Size larger as needed.

All dimensions are in inches (millimeters) unless otherwise shown.

PLOT SCALE: 1/8" = 1'-0"
 R:\Projects\2013\02-214-825011-02-LightingControllerPedestal.dwg
 AS: 10/20/13 10:05:22 AM Eng_Docs_Phase 1\General\10205_Civil_Plan_Table.tbl

FILE NAME =	DESIGNED - GHT	REVISED -
...214-825011-02-LightingControllerPedestal.dwg	DRAWN - JLW	REVISED -
USER NAME = eship	CHECKED - GRR	REVISED -
PLOT DATE = 2/19/2013	DATE - 02/04/2013	REVISED -



STATE OF ILLINOIS
DEPARTMENT OF TRANSPORTATION

LIGHTING CONTROLLER PEDESTAL MOUNTED, 240V				
STANDARD 825011-02				
SCALE:	SHEET NO.	OF	SHEETS	STA. TO STA.

F.A.I. RTE.	SECTION	COUNTY	TOTAL SHEETS	SHEET NO.
	08-00251-00-BR	COOK	118	53
CONTRACT NO. 63817				
ILLINOIS FED. AID PROJECT				