

**SUPERSTRUCTURE
BILL OF MATERIAL**

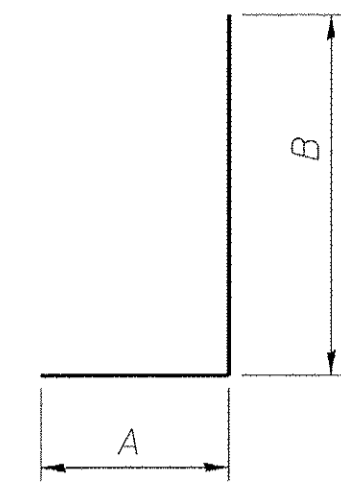
(Stage 1)

Bar	No.	Size	Length	Shape
a(E)	293	#5	21'-8"	—
a2(E)	227	#5	20'-8"	—
a4(E)	4	#6	21'-8"	—
b(E)	170	#5	36'-9"	—
b1(E)	44	#6	41'-0"	—
b2(E)	132	#5	31'-3"	—
c(E)	171	#5	2'-4"	┘
c1(E)	171	#5	8'-4"	—
d(E)	342	#6	4'-1"	┘
d1(E)	171	#4	3'-6"	┘
d2(E)	58	#4	2'-8"	┘
d3(E)	3	#6	5'-3"	┘
d4(E)	4	#6	8'-11"	┘
e(E)	36	#4	13'-2"	—
e1(E)	24	#4	8'-8"	—
e2(E)	18	#4	17'-4"	—
m(E)	16	#6	22'-5"	—
m2(E)	4	#6	4'-7"	—
m3(E)	4	#6	5'-11"	—
m4(E)	4	#6	2'-4"	—
m6(E)	8	#6	6'-0"	—
m7(E)	4	#6	7'-4"	—
m8(E)	4	#6	3'-0"	—
m9(E)	4	#6	1'-6"	—
m10(E)	4	#6	2'-10"	—
m14(E)	2	#8	2'-6"	—
m15(E)	2	#8	3'-0"	—
m16(E)	8	#4	7'-4"	—
s2(E)	42	#5	9'-9"	┘
s3(E)	42	#5	11'-6"	┘
s4(E)	14	#5	10'-4"	┘
u3(E)	42	#5	2'-10"	┘
v(E)	46	#5	3'-1"	┘
Concrete Superstructure	Cu. Yd.	179.5		
Reinforcement Bars, Epoxy Coated	Pound	32,620		

**SUPERSTRUCTURE
BILL OF MATERIAL**

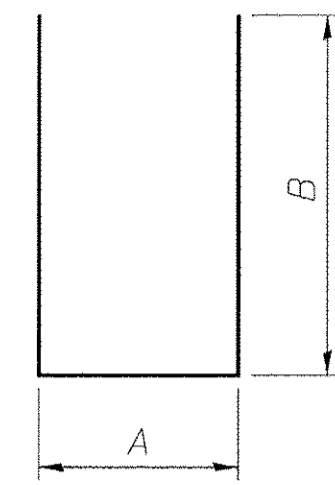
(Stage 2)

Bar	No.	Size	Length	Shape
a1(E)	293	#5	25'-8"	—
a3(E)	227	#5	24'-8"	—
a5(E)	4	#6	25'-8"	—
b(E)	195	#5	36'-9"	—
b1(E)	54	#6	41'-0"	—
b2(E)	162	#5	31'-3"	—
c(E)	171	#5	2'-4"	┘
c2(E)	171	#5	7'-11"	—
d(E)	342	#6	4'-1"	┘
d1(E)	171	#4	3'-6"	┘
d2(E)	58	#4	2'-8"	┘
e(E)	36	#4	13'-2"	—
e1(E)	24	#4	8'-8"	—
e2(E)	18	#4	17'-4"	—
m1(E)	16	#6	26'-5"	—
m2(E)	12	#6	4'-7"	—
m3(E)	12	#6	5'-11"	—
m4(E)	4	#6	2'-4"	—
m8(E)	4	#6	3'-0"	—
m11(E)	4	#6	0'-9"	—
m12(E)	4	#6	2'-1"	—
s2(E)	50	#5	9'-9"	┘
s3(E)	50	#5	11'-6"	┘
u3(E)	50	#5	2'-10"	┘
v(E)	56	#5	3'-1"	┘
Concrete Superstructure	Cu. Yd.	197.1		
Reinforcement Bars, Epoxy Coated	Pound	37,330		



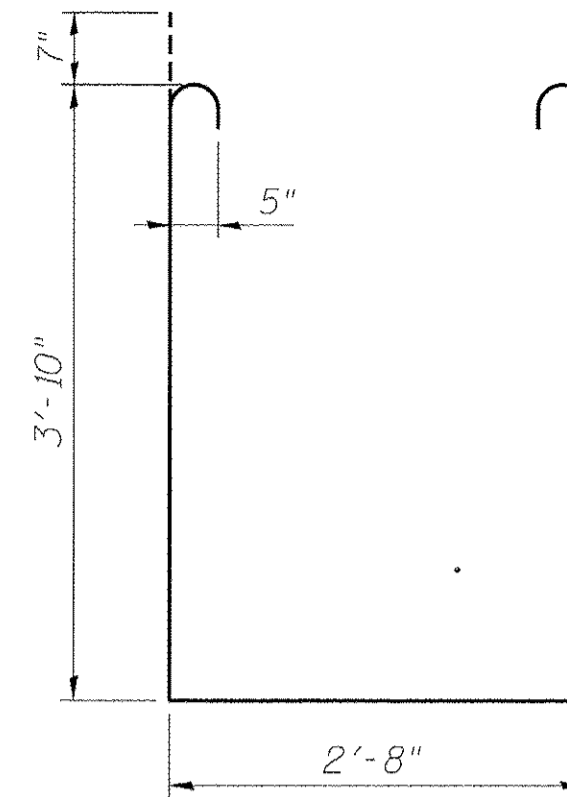
Bar	A	B
v(E)	10"	2'-3"
d(E)	11"	3'-2"
d3(E)	2'-0"	3'-3"

BARS v(E), d(E) & d3(E)

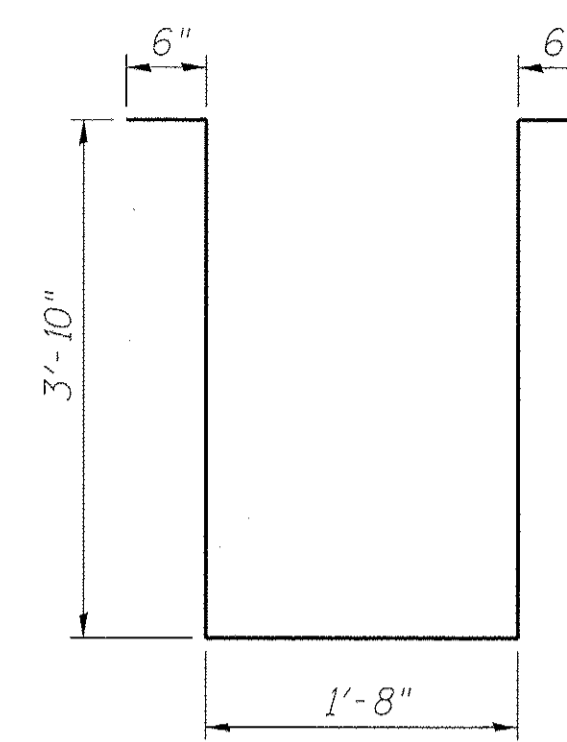


Bar	A	B
d2(E)	8"	1'-0"
s2(E)	2'-3"	3'-9"
u3(E)	10"	1'-0"

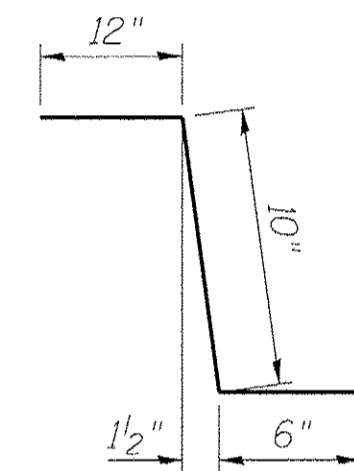
BARS d2(E), s2(E) & u3(E)



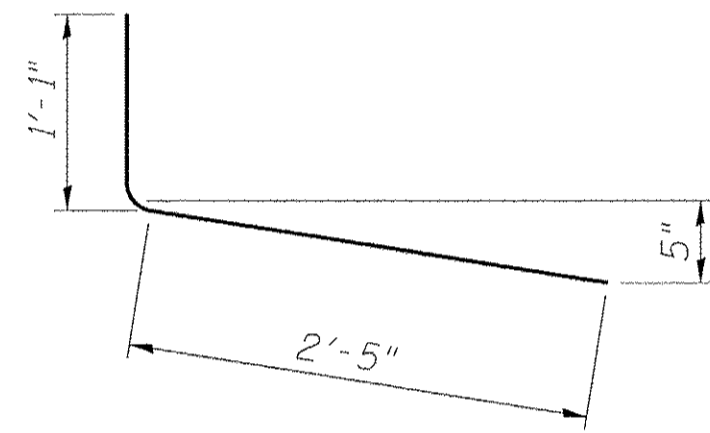
BAR s3(E)



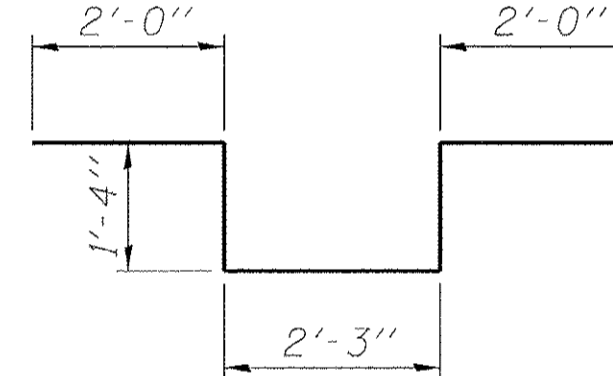
BAR s4(E)



BAR c(E)



BAR d1(E)



BAR d4(E)

FILE NAME =	USER NAME = oship	DESIGNED - MFB	REVISED -
0166953_017_DeckDtls.dgn		CHECKED - EFS	REVISED -
		DRAWN - RMC	REVISED -
		CHECKED - EFS	REVISED -

F.A.I. RTE.	SECTION	COUNTY	TOTAL SHEETS	SHEET NO.
	08-00251-00-BR	COOK	118	70
CONTRACT NO. 63817			ILLINOIS FED. AID PROJECT	