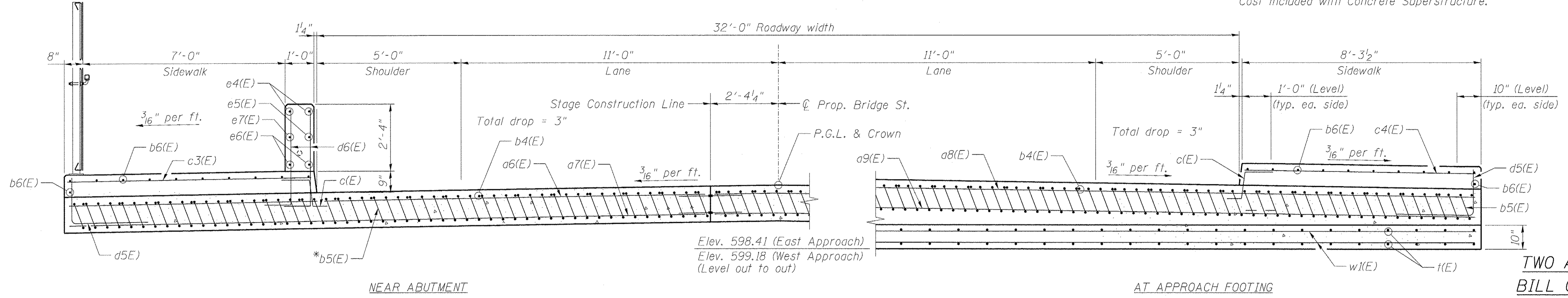


**NOTES:**

1. Approach slab and parapet concrete shall be paid for as Concrete Superstructure.
2. Approach footing concrete shall be paid for as Concrete Structures.
3. Reinforcement shall be paid for as Reinforcement Bars, Epoxy Coated.
4. For v(E) bar details, see sheet S17.
5. The approach footing maximum applied service bearing pressure (Qmax) = 2.0 ksf.
6. For bar splicer details, see sheet S36.
7. Cost of excavation for approach footing included with Concrete Structures.
8. For Granular Backfill for Structures and drainage treatment details, see sheet S2.

\*Tilt #9 b5(E) bars as required to maintain clearance.  
 \*\*\*Cost included with Concrete Superstructure.



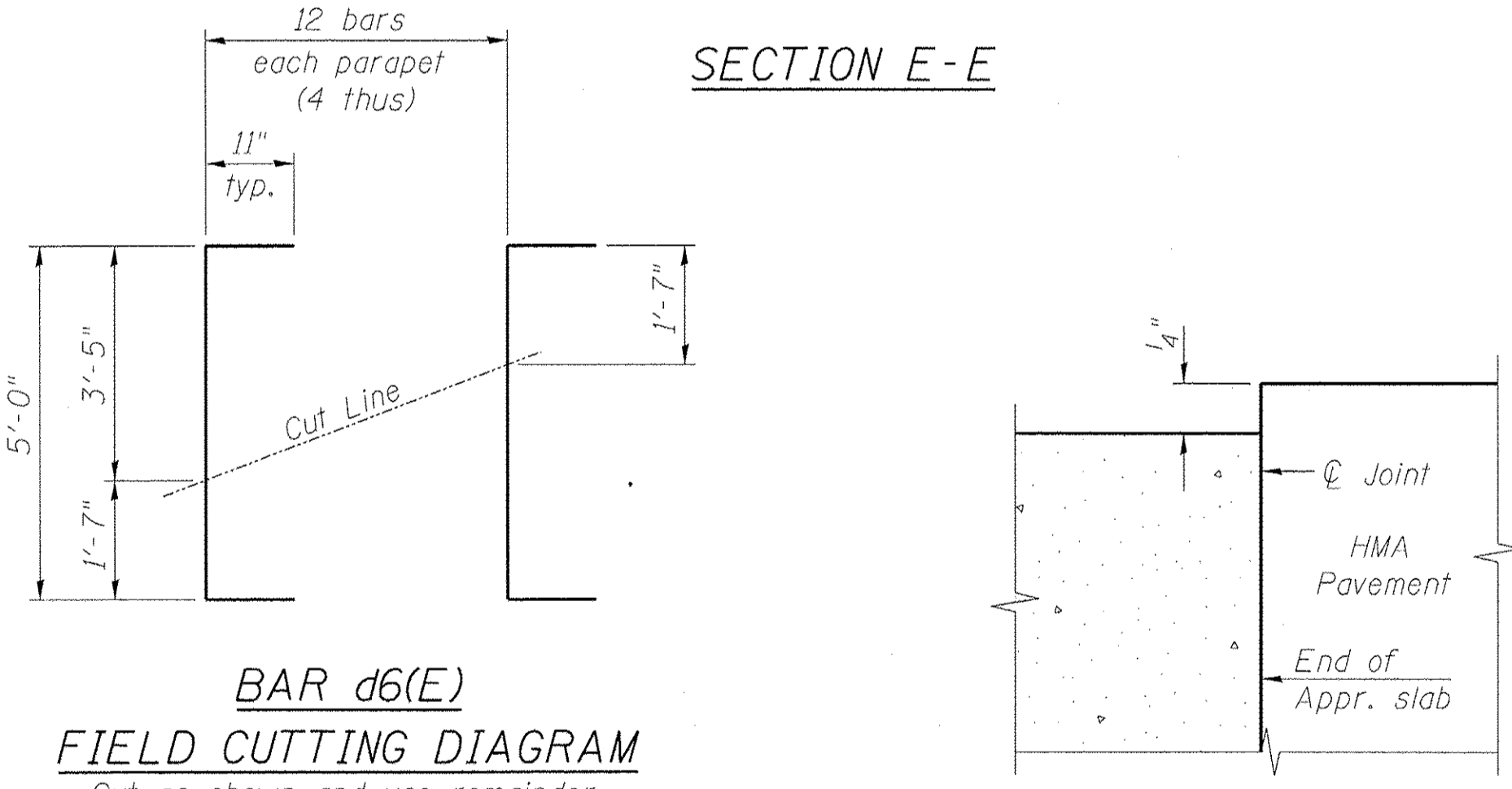
**TWO APPROACHES  
BILL OF MATERIAL**  
(Stage 1)

Bar	No.	Size	Length	Shape
a6(E)	41	#4	22'-1"	—
a7(E)	75	#5	22'-1"	—
a10(E)	9	#4	13'-4"	—
a11(E)	17	#5	13'-4"	—
a12(E)	16	#5	1'-6"	—
b4(E)	31	#4	29'-8"	—
b5(E)	87	#9	29'-9"	⌋
b6(E)	11	#5	29'-8"	—
b7(E)	21	#9	19'-8"	⌋
b8(E)	5	#4	19'-7"	—
b9(E)	11	#5	19'-7"	—
c(E)	49	#5	2'-4"	└
c3(E)	49	#5	8'-5"	—
d5(E)	49	#4	4'-2"	└
d6(E)	24	#6	6'-10"	┘
e4(E)	4	#4	12'-5"	—
e5(E)	2	#4	6'-3"	—
e6(E)	4	#4	12'-0"	—
e7(E)	4	#4	4'-4"	└
e8(E)	2	#4	4'-6"	—
t(E)	74	#4	9'-8"	—
t1(E)	18	#4	14'-8"	—
w(E)	80	#5	22'-1"	—
w2(E)	22	#5	8'-5"	—
Concrete Superstructure			Cu. Yd.	92.8
Concrete Structures			Cu. Yd.	16.8
Reinforcement Bars, Epoxy Coated			Pound	21,980
Concrete Superstructure			Cu. Yd.	76.9
Concrete Structures			Cu. Yd.	15.4
Reinforcement Bars, Epoxy Coated			Pound	17,840

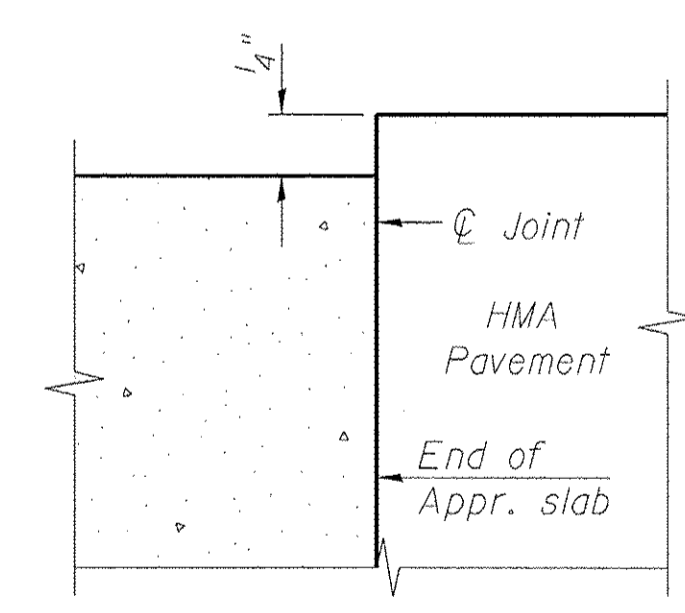
**TWO APPROACHES  
BILL OF MATERIAL**  
(Stage 2)

Bar	No.	Size	Length	Shape
a8(E)	50	#4	26'-5"	—
a9(E)	92	#5	26'-5"	—
b4(E)	44	#4	29'-8"	—
b5(E)	128	#9	29'-9"	⌋
b6(E)	22	#5	29'-8"	—
c(E)	60	#5	2'-4"	└
c4(E)	60	#5	8'-0"	—
d5(E)	60	#4	4'-2"	└
d6(E)	24	#6	6'-10"	┘
e4(E)	4	#4	12'-5"	—
e5(E)	2	#4	6'-3"	—
e6(E)	4	#4	12'-0"	—
e7(E)	4	#4	4'-4"	└
e8(E)	2	#4	4'-6"	—
t(E)	108	#4	9'-8"	—
w1(E)	80	#5	26'-5"	—
Concrete Superstructure			Cu. Yd.	92.8
Concrete Structures			Cu. Yd.	16.8
Reinforcement Bars, Epoxy Coated			Pound	21,980

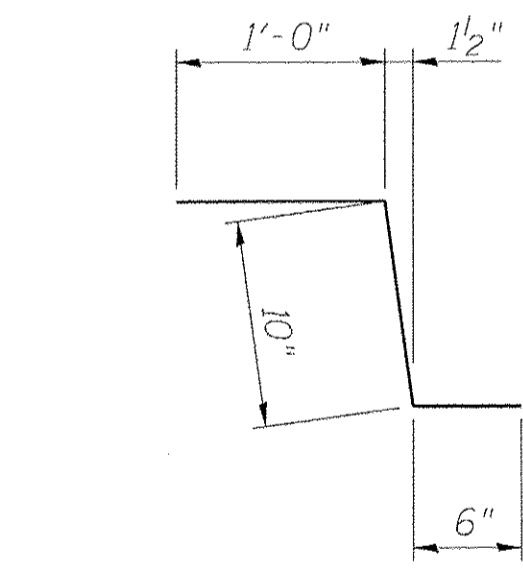
**SECTION E-E**



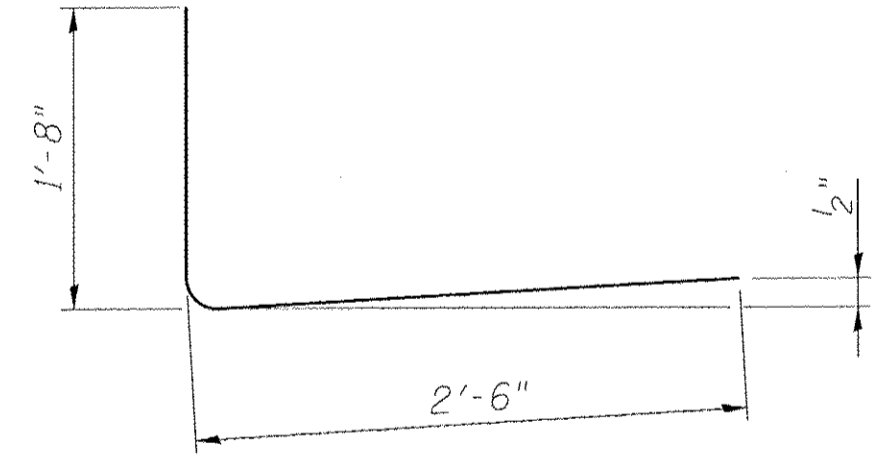
**FIELD CUTTING DIAGRAM**  
Cut as shown and use remainder of bars in opposite Approach



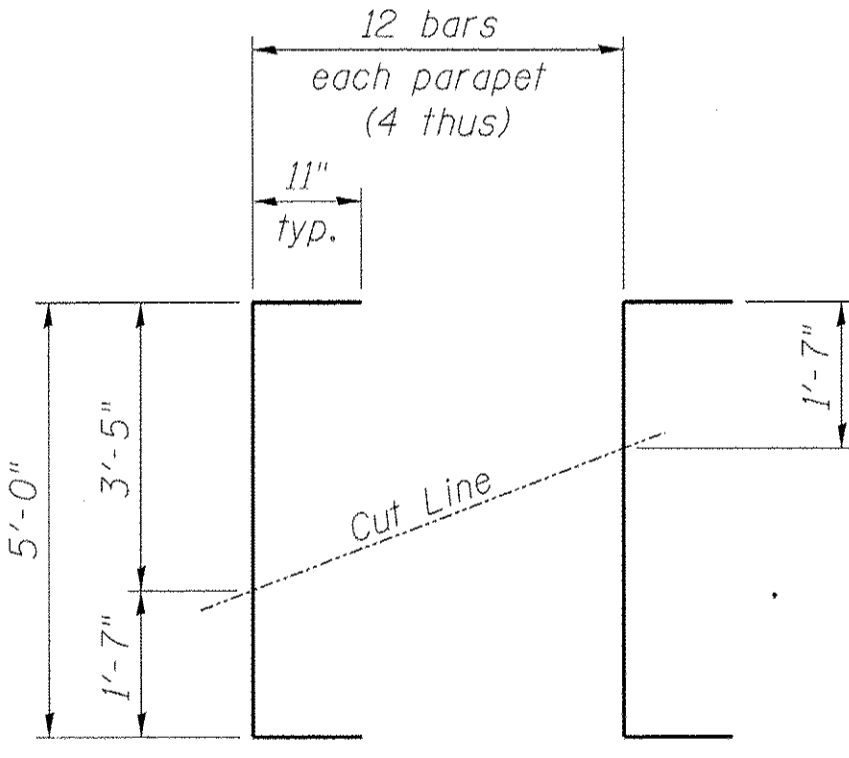
**DETAIL 1**



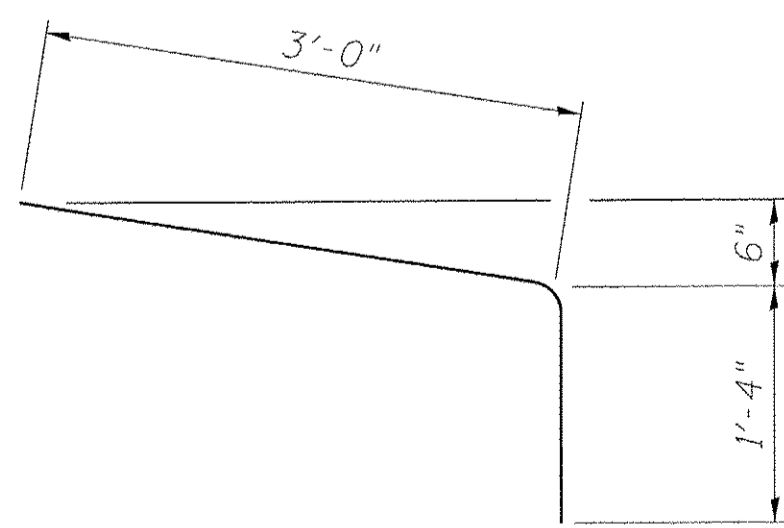
**BAR c(E)**



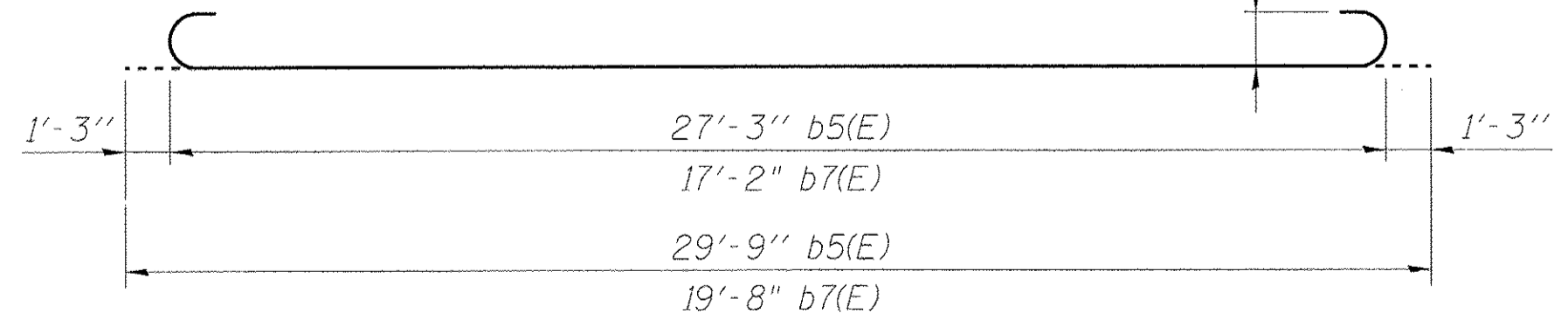
**BAR d5(E)**



**BAR d6(E)**



**BAR e7(E)**



**BAR b5(E) & b7(E)**

**benesch**  
engineers · scientists · planners  
Alfred Benesch & Company  
205 North Michigan Avenue, Suite 2400  
Chicago, Illinois 60601  
312-565-0450 Job No. 10055.02

FILE NAME =	USER NAME = eship	DESIGNED - MFB	REVISED -
0166953_020_Appr-3.dgn	PLOT SCALE =	CHECKED - JHG	REVISED -
	PLOT DATE = 2/19/2013	DRAWN - RMC	REVISED -
		CHECKED - JHG	REVISED -

**STATE OF ILLINOIS  
DEPARTMENT OF TRANSPORTATION**

**BRIDGE APPROACH SLAB DETAILS 3 OF 3  
STRUCTURE NO. 016-6953 BRIDGE ST. OVER THE NORTH SHORE CHANNEL**

F.A.I. RTE.	SECTION	COUNTY	TOTAL SHEETS	SHEET NO.
	08-00251-00-BR	COOK	118	73
CONTRACT NO. 63817			ILLINOIS FED. AID PROJECT	

SHEET NO. S20 OF S50 SHEETS

X:\100005\10055.02\Eng\_Docs\_Phase-II\BrIDGE-Street-11\BrIDGE-Street-11\0166953\_020\_Appr-3.dgn 2:50:53 PM 2/19/2013