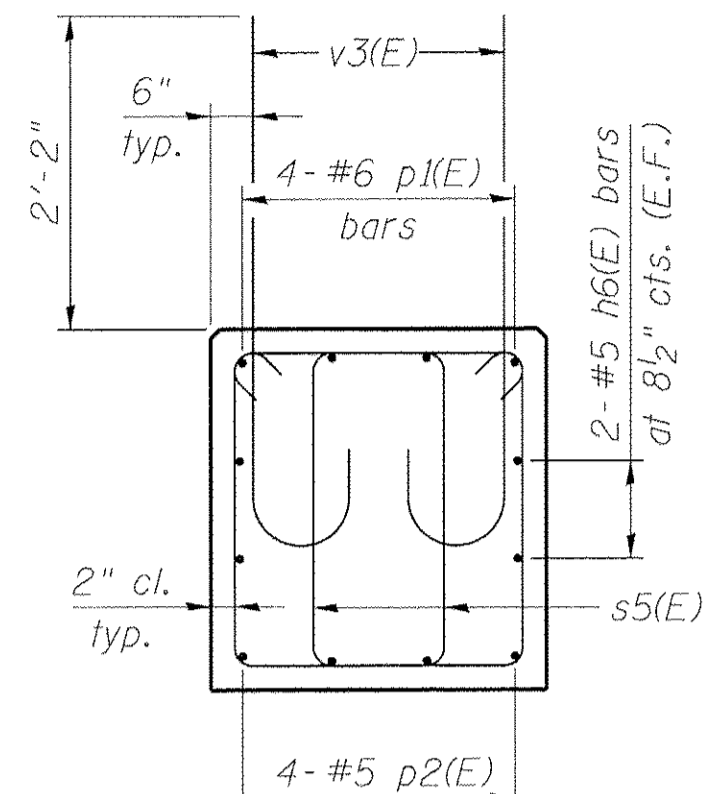


PILE DATA

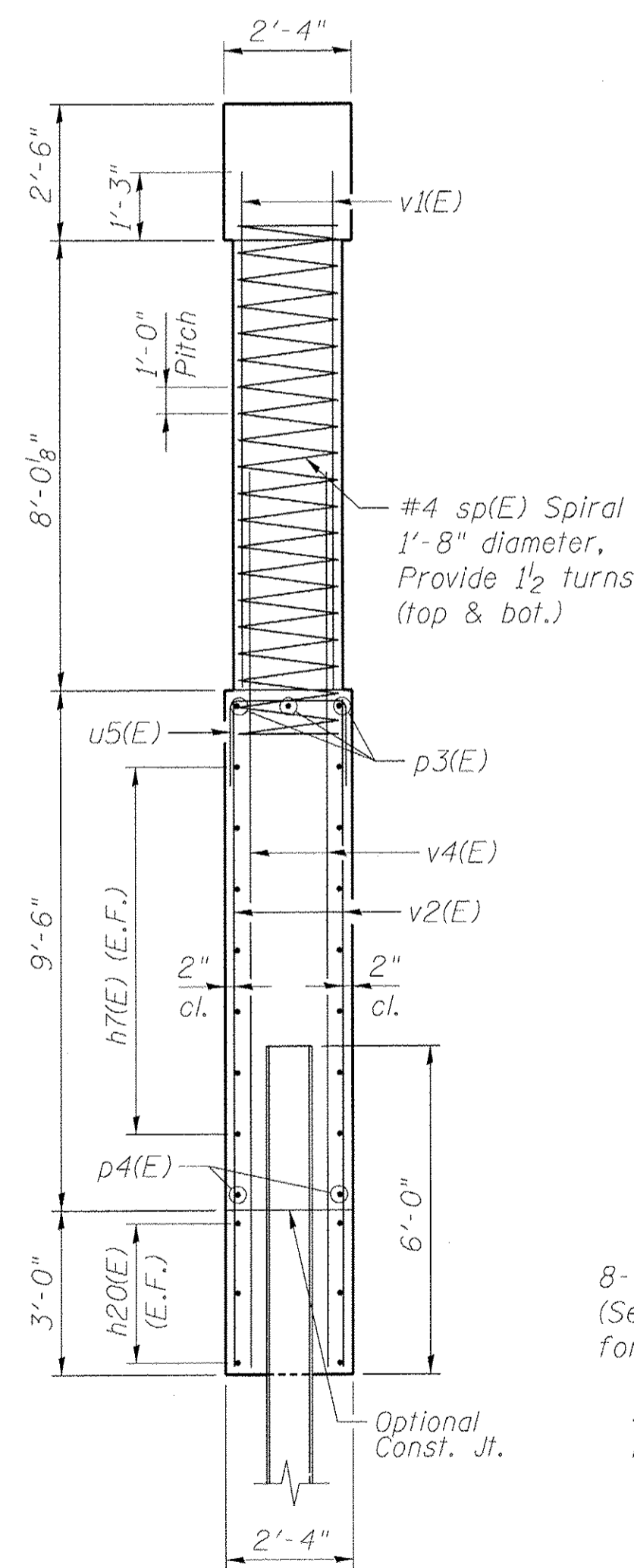
Type: HP10x42
 Nominal Required Bearing: 301 kips
 Factored Resistance Available: 166 kips
 Est. Length: 59 ft.
 No. Production Piles: 2
 No. Test Piles: 1

BILL OF MATERIAL

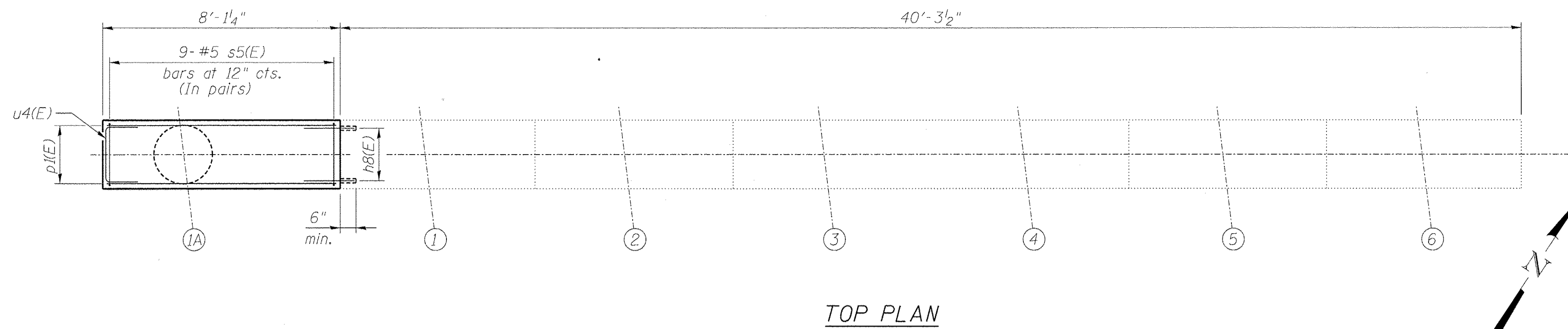
Bar	No.	Size	Length	Shape	
h6(E)	4	#5	7'-10"	—	
h7(E)	16	#5	11'-8"	—	
h8(E)	54	#5	3'-3"	—	
h20(E)	6	#5	13'-0"	—	
h21(E)	6	#5	19'-8"	—	
p1(E)	4	#6	7'-10"	—	
p2(E)	4	#5	7'-10"	—	
p3(E)	3	#9	11'-8"	—	
p4(E)	2	#9	11'-8"	—	
s5(E)	18	#5	8'-0"	□	
s6(E)	17	#5	10'-4"	□	
u4(E)	13	#5	7'-2"	—	
u5(E)	20	#6	10'-1"	—	
v1(E)	8	#8	9'-6"	—	
v2(E)	40	#6	12'-2"	—	
v3(E)	8	#8	4'-4"	—	
v4(E)	8	#8	16'-4"	—	
sp(E)	1	#4	11'-6"	∩	
Concrete Structures				Cu. Yd.	21.7
Reinforcement Bars, Epoxy Coated				Pound	3,060
Furnishing Steel Piles HP10x42				Foot	118
Driving Piles				Foot	118
Test Pile Steel HP10x42				Each	1
Cofferdam (Type 1) (Location - 1)				Each	1
Cofferdam Excavation				Cu. Yd.	53
Granular Backfill for Structures				Cu. Yd.	40



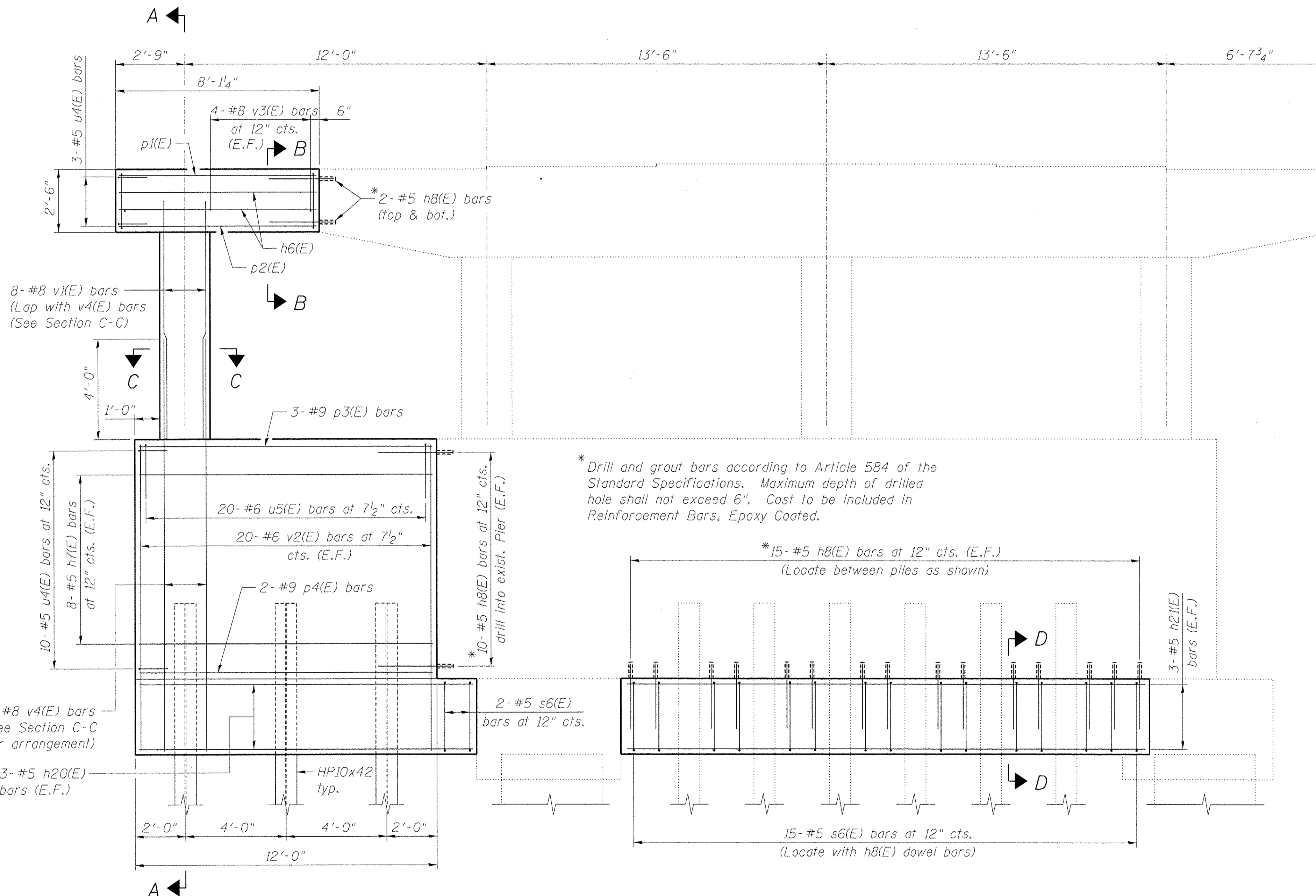
SECTION B-B



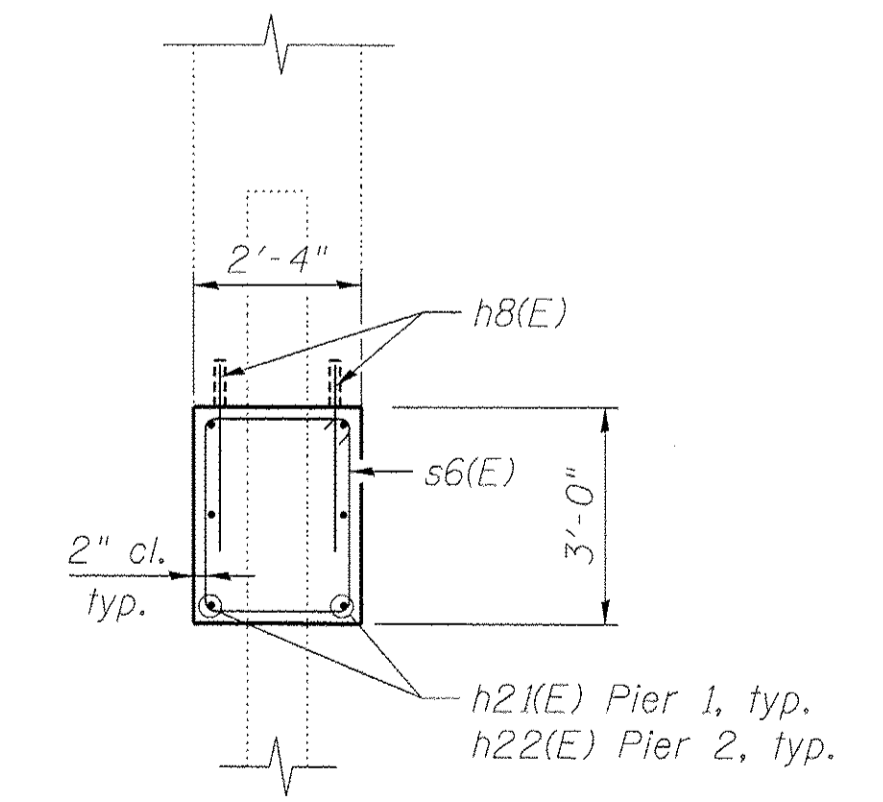
SECTION A-A



TOP PLAN



ELEVATION
(Looking Upstation)



SECTION D-D

- NOTES:**
- For Section C-C and Bar Bend Details, see Sheet S32.
 - Existing piles are encased in concrete per existing plans. Bars h21(E) shall be cut in the field to fit as required.

X:\10000\S\10055.02\Eng_Docs_Phase_1\1\Bridge_Street_016-6953\Final\0166953_031_PierDet1.dgn 2:51:13 PM 2/19/2013