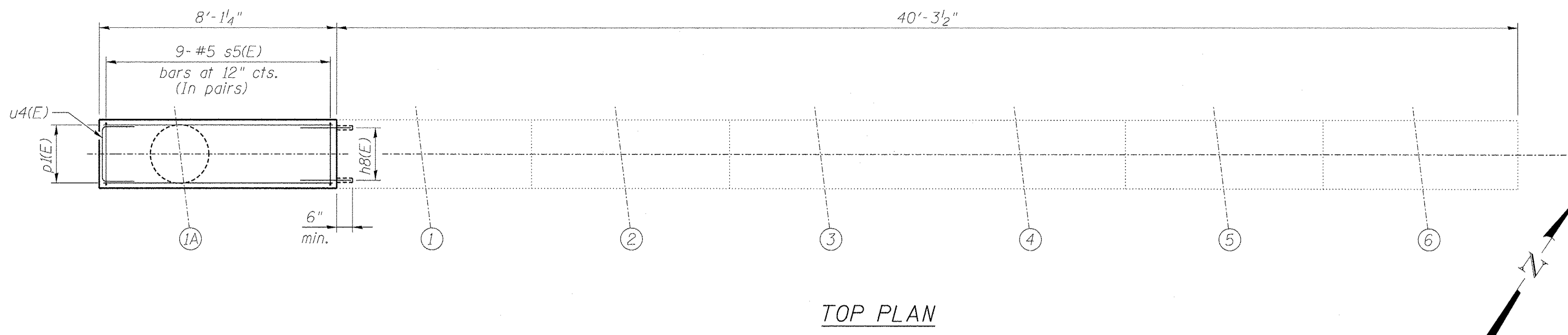


PILE DATA

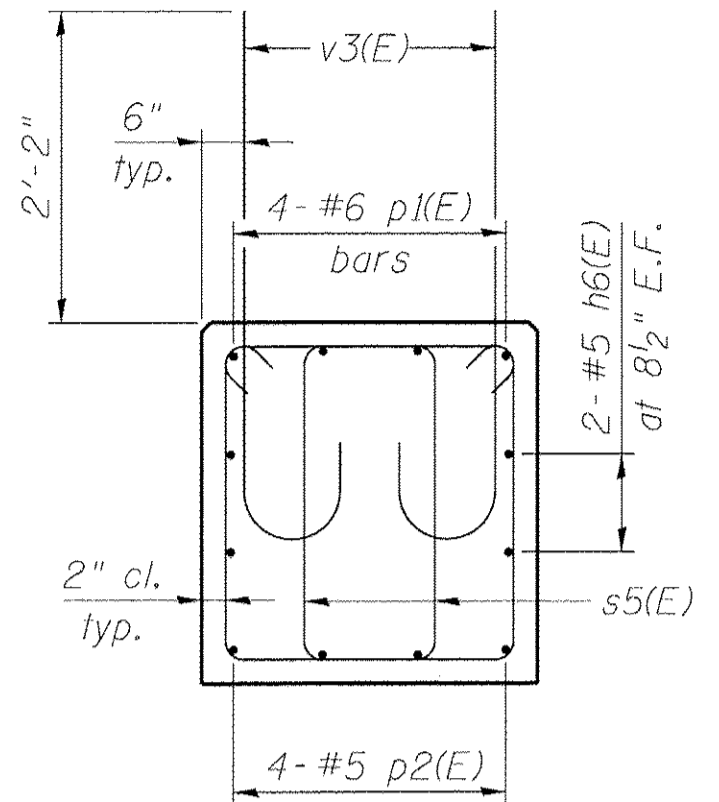
Type: HP10x42
 Nominal Required Bearing: 303 kips
 Factored Resistance Available: 167 kips
 Est. Length: 59 ft.
 No. Production Piles: 2
 No. Test Piles: 1

BILL OF MATERIAL

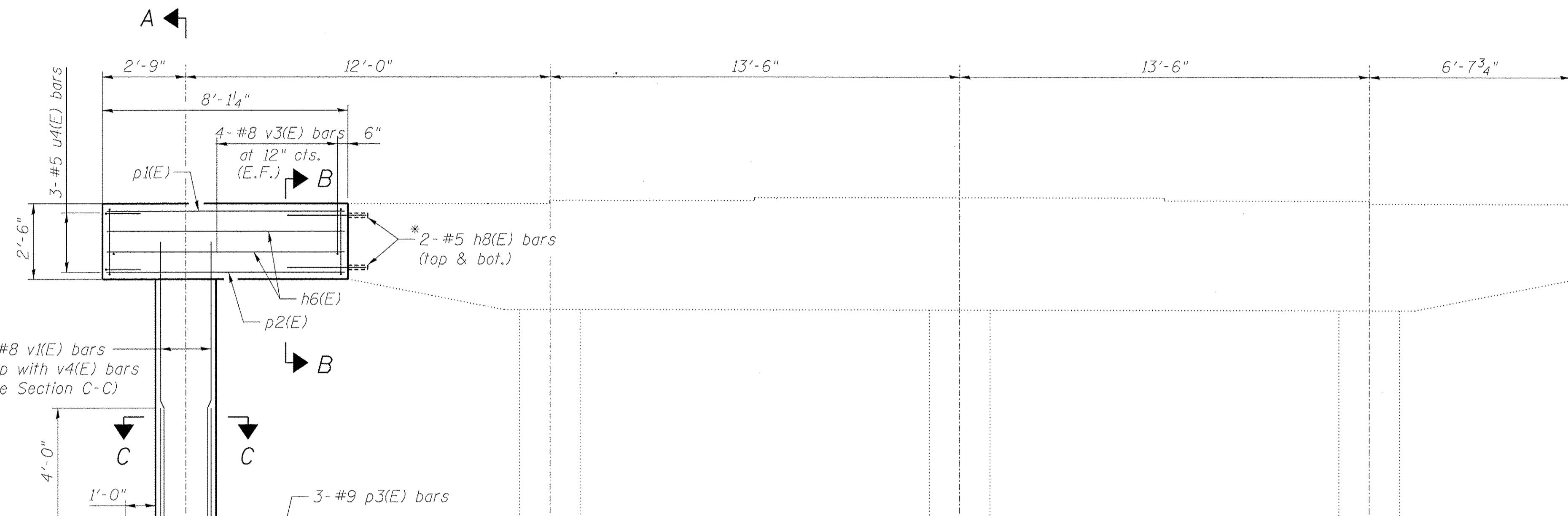
Bar	No.	Size	Length	Shape
h6(E)	4	#5	7'-10"	—
h7(E)	22	#5	11'-8"	—
h8(E)	58	#5	3'-3"	—
h22(E)	6	#5	22'-3"	—
p1(E)	4	#6	7'-10"	—
p2(E)	4	#5	7'-10"	—
p3(E)	3	#9	11'-8"	—
p4(E)	2	#9	11'-8"	—
s5(E)	18	#5	8'-0"	□
s6(E)	17	#5	10'-4"	□
u4(E)	13	#5	7'-2"	—
u5(E)	20	#6	10'-1"	—
v1(E)	8	#8	9'-6"	—
v2(E)	40	#6	12'-2"	—
v3(E)	8	#8	4'-4"	—
v4(E)	8	#8	16'-4"	—
sp(E)	1	#4	11'-6"	—
Concrete Structures		Cu. Yd.	21.6	
Reinforcement Bars, Epoxy Coated		Pound	3,080	
Furnishing Steel Piles HP10x42		Foot	118	
Driving Piles		Foot	118	
Test Pile Steel HP10x42		Each	1	
Cofferdam (Type I) (Location - 2)		Each	1	
Cofferdam Excavation		Cu. Yd.	53	
Granular Backfill for Structures		Cu. Yd.	40	



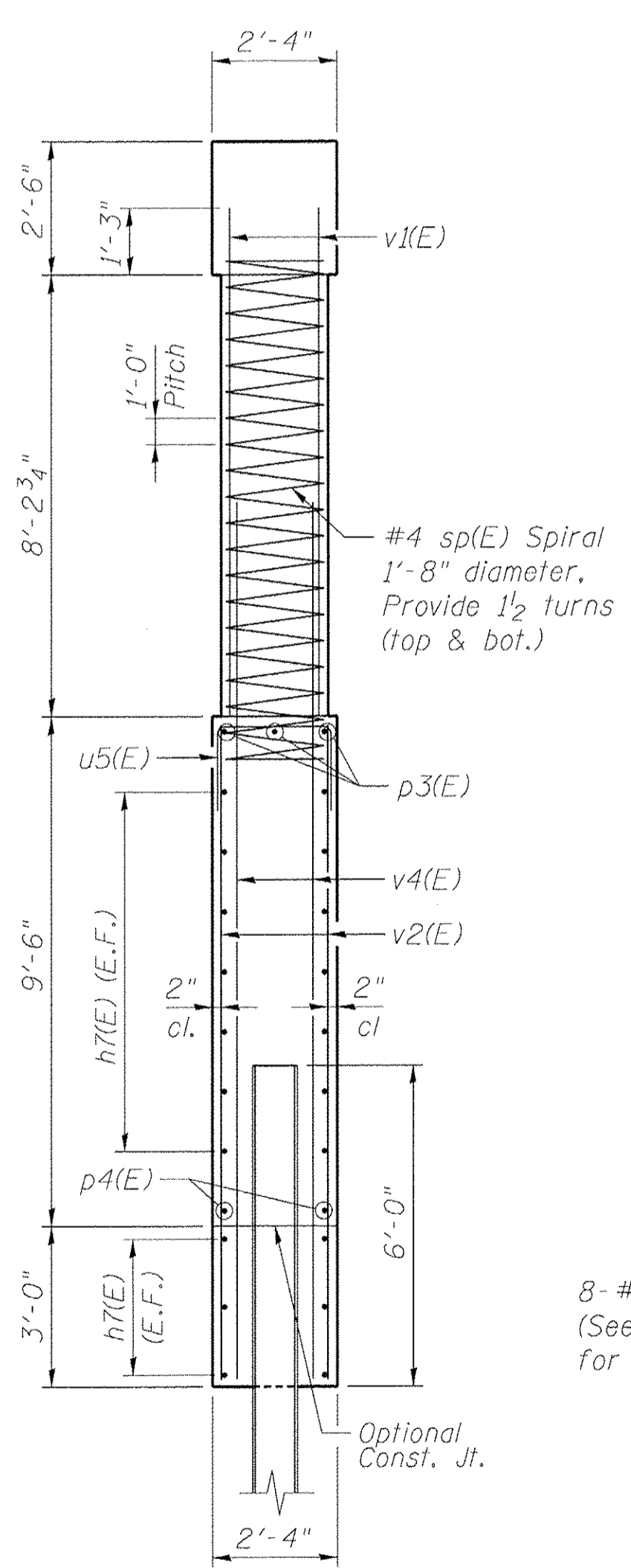
TOP PLAN



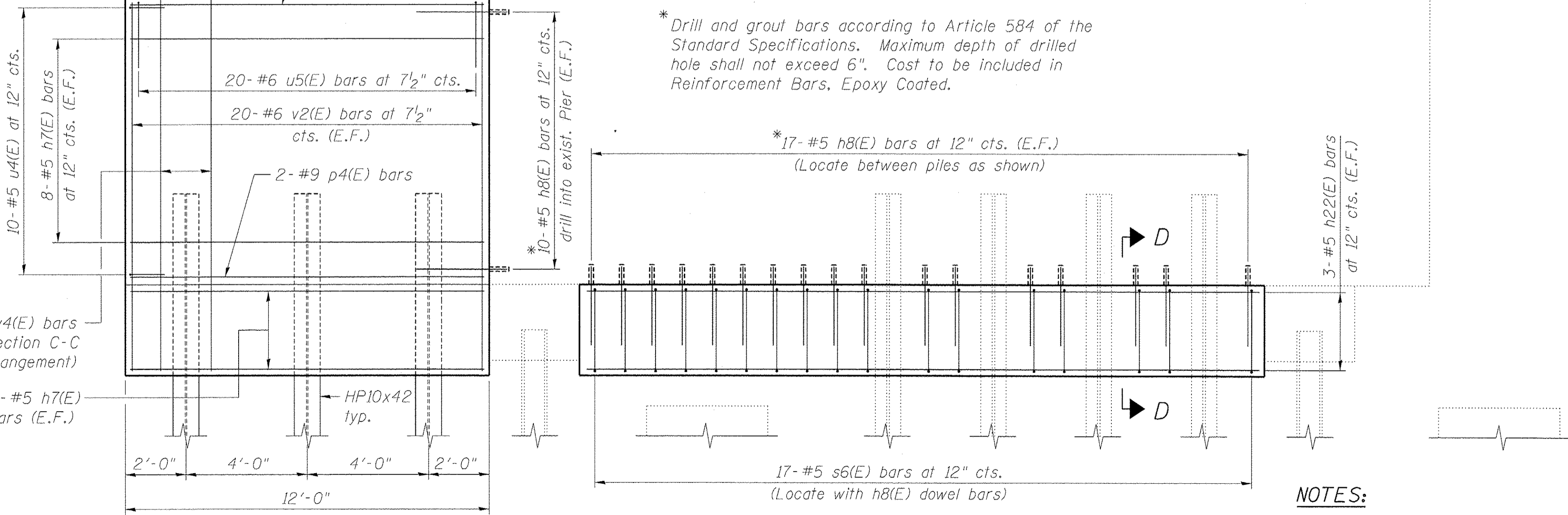
SECTION B-B



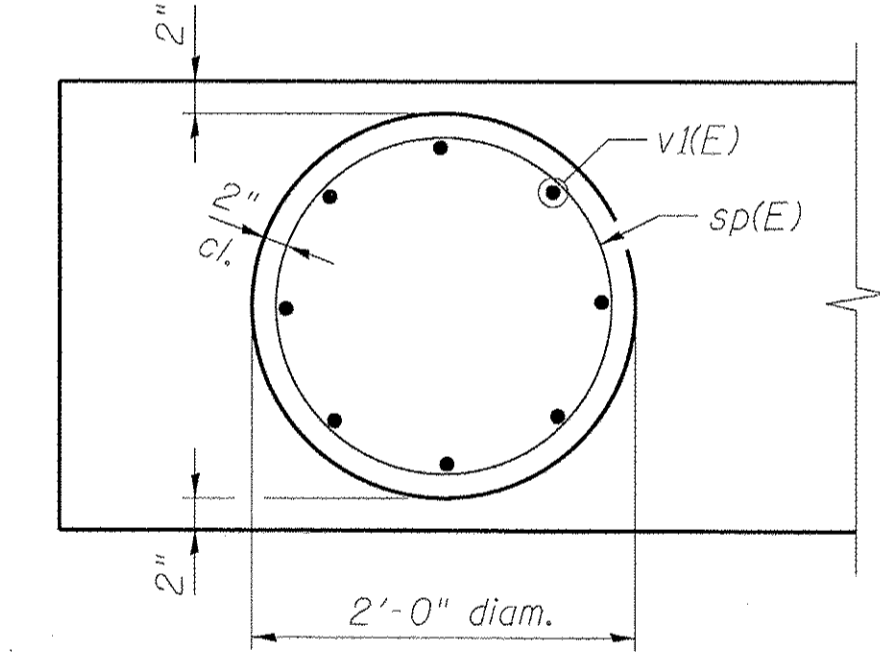
ELEVATION
(Looking Upstation)



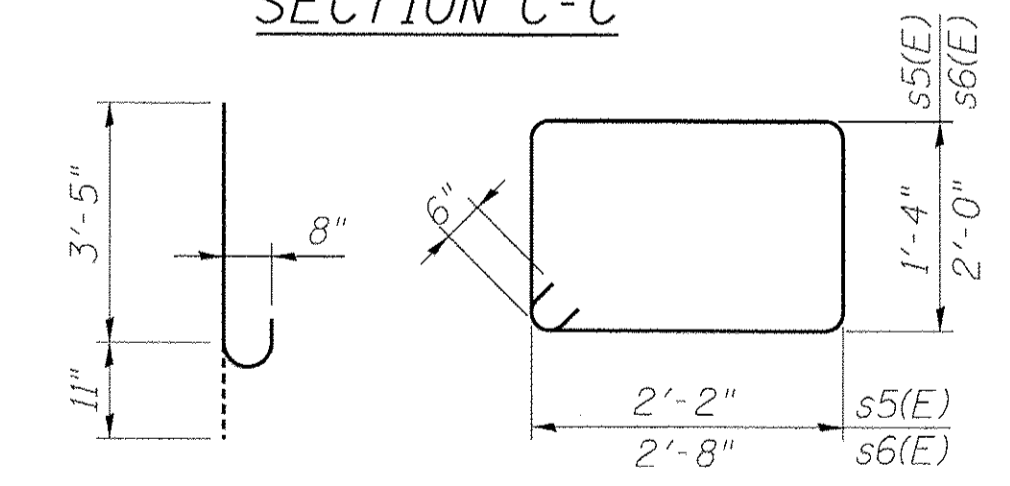
SECTION A-A



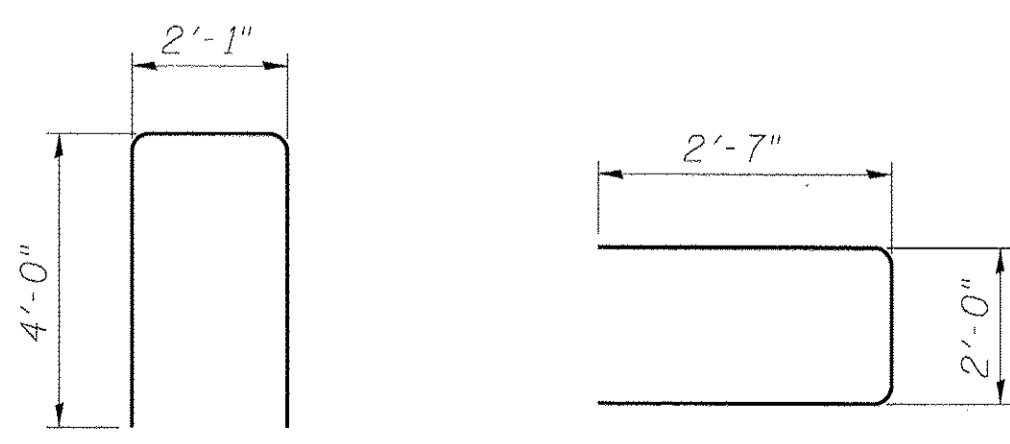
* Drill and grout bars according to Article 584 of the Standard Specifications. Maximum depth of drilled hole shall not exceed 6". Cost to be included in Reinforcement Bars, Epoxy Coated.



SECTION C-C



BAR v3(E) BARS s5(E) & s6(E)



BAR u5(E) BAR u4(E)

- NOTES:**
- For Section D-D, see Sheet S31.
 - Existing piles are encased in concrete per existing plans. Bars h22(E) shall be cut in the field to fit as required.

benesch
 engineers · scientists · planners
 Alfred Benesch & Company
 205 North Michigan Avenue, Suite 2400
 Chicago, Illinois 60601
 312-565-0450 Job No. 10055.02

FILE NAME =	USER NAME = eship	DESIGNED - MJF	REVISED -
0166953_032_PierDet2.dgn		CHECKED - EFS	REVISED -
		DRAWN - RMG	REVISED -
		CHECKED - JHG	REVISED -

STATE OF ILLINOIS
DEPARTMENT OF TRANSPORTATION

PIER 2 WIDENING DETAILS
STRUCTURE NO. 016-6953 BRIDGE ST. OVER THE NORTH SHORE CHANNEL
 SHEET NO. S32 OF S50 SHEETS

F.A.I. RTE.	SECTION	COUNTY	TOTAL SHEETS	SHEET NO.
	08-00251-00-BR	COOK	118	85
CONTRACT NO. 63817			ILLINOIS FED. AID PROJECT	

X:\10000S\10055.02\Eng_Docs_Phase_II\Bridg-Stree_016-6953\Final\0166953_032_PierDet2.dgn
 2/19/2013 2:51:15 PM