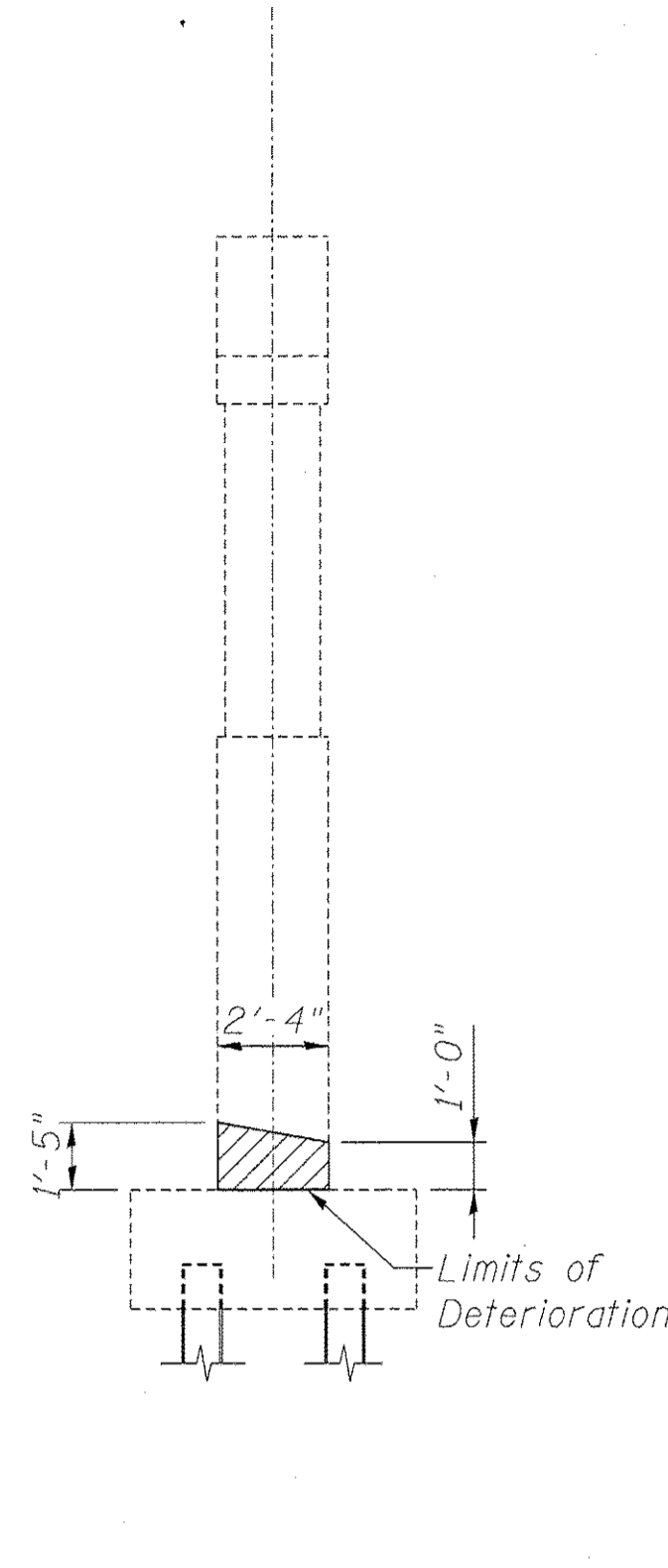
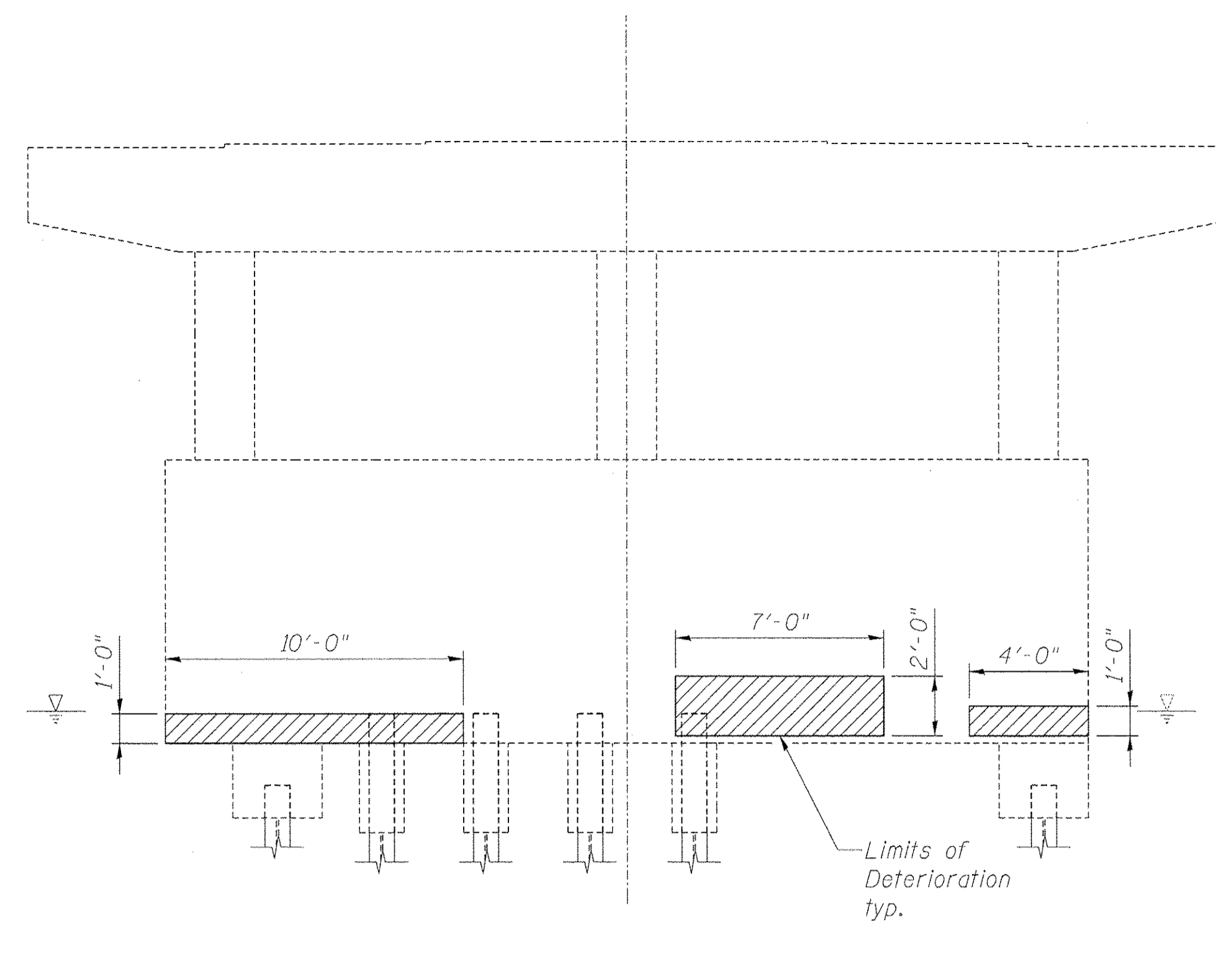


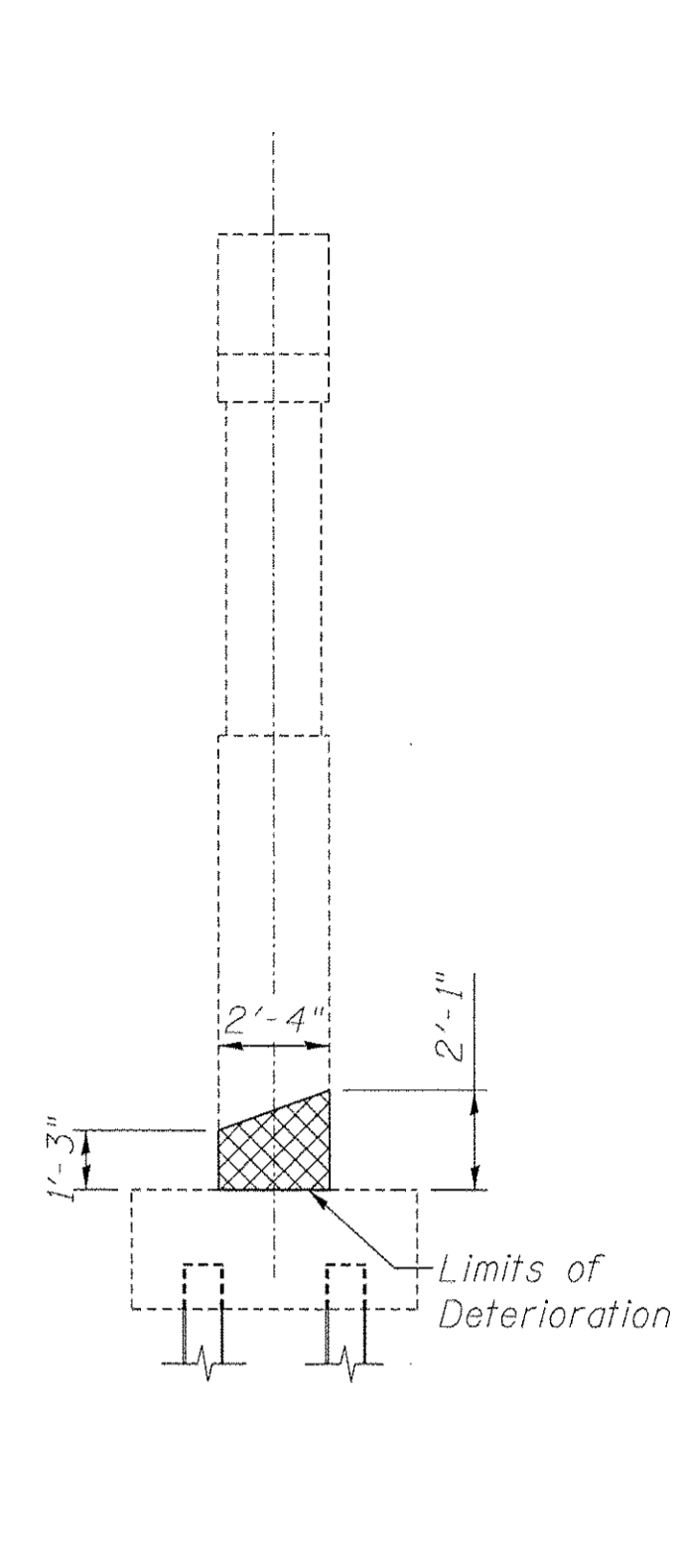
PIER 2 ELEVATION
(Looking West)



PIER 2 ELEVATION
(Looking South)



PIER 2 ELEVATION
(Looking East)



PIER 2 ELEVATION
(Looking North)

BILL OF MATERIAL

ITEM	UNIT	TOTAL
Structural Repair of Concrete (Depth Equal to or Less Than 5 Inches)	Sq. Ft.	56
Structural Repair of Concrete (Depth Greater than 5 Inches)	Sq. Ft.	22

LEGEND:

- ▣ Structural Repair of Concrete (Depth Greater than 5 Inches)
- ▨ Structural Repair of Concrete (Depth Equal to or Less Than 5 Inches)

NOTES:

1. Structural repair areas are estimated based on Benesch field notes from November of 2012. Actual repair areas and locations shall be determined by the Engineer and shown on the As-Built plans.
2. Area around pier shall be dewatered for pier concrete repairs. Cost included with Cofferdam (Type 1) (Location - 2).

benesch
engineers · scientists · planners

Alfred Benesch & Company
205 North Michigan Avenue, Suite 2400
Chicago, Illinois 60601
312-565-0450 Job No. 10055.02

FILE NAME =	USER NAME = eship	DESIGNED - MFB	REVISED -
0166953_034_PierRepair2.dgn		CHECKED - JHG	REVISED -
	PLOT SCALE =	DRAWN - RMC	REVISED -
	PLOT DATE = 2/19/2013	CHECKED - JHG	REVISED -

**STATE OF ILLINOIS
DEPARTMENT OF TRANSPORTATION**

PIER 2 CONCRETE REPAIR DETAILS
STRUCTURE NO. 016-6953 BRIDGE ST. OVER THE NORTH SHORE CHANNEL

F.A.I. RTE.	SECTION	COUNTY	TOTAL SHEETS	SHEET NO.
	08-00251-00-BR	COOK	118	87
ILLINOIS FED. AID PROJECT			CONTRACT NO. 63817	

SHEET NO. S34 OF S50 SHEETS

X:\10000S\10055.02\Eng_Docs_Phase_II\Brldge_Street_016-6953\Final\0166953_034_PierRepair2.dgn 2/19/2013 2:51:19 PM