

TEMPORARY CONCRETE BARRIER (SPECIAL)
NOT TO SCALE

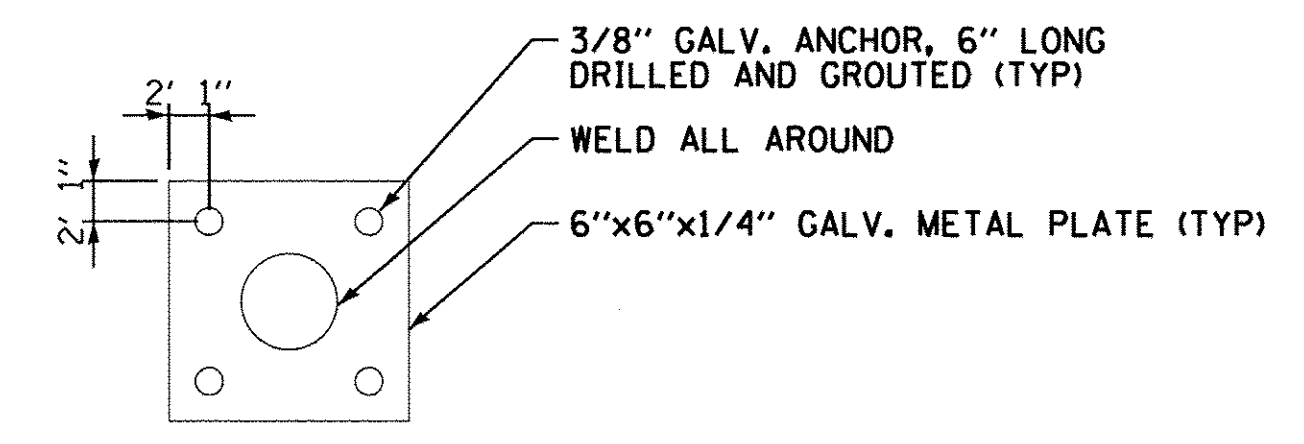
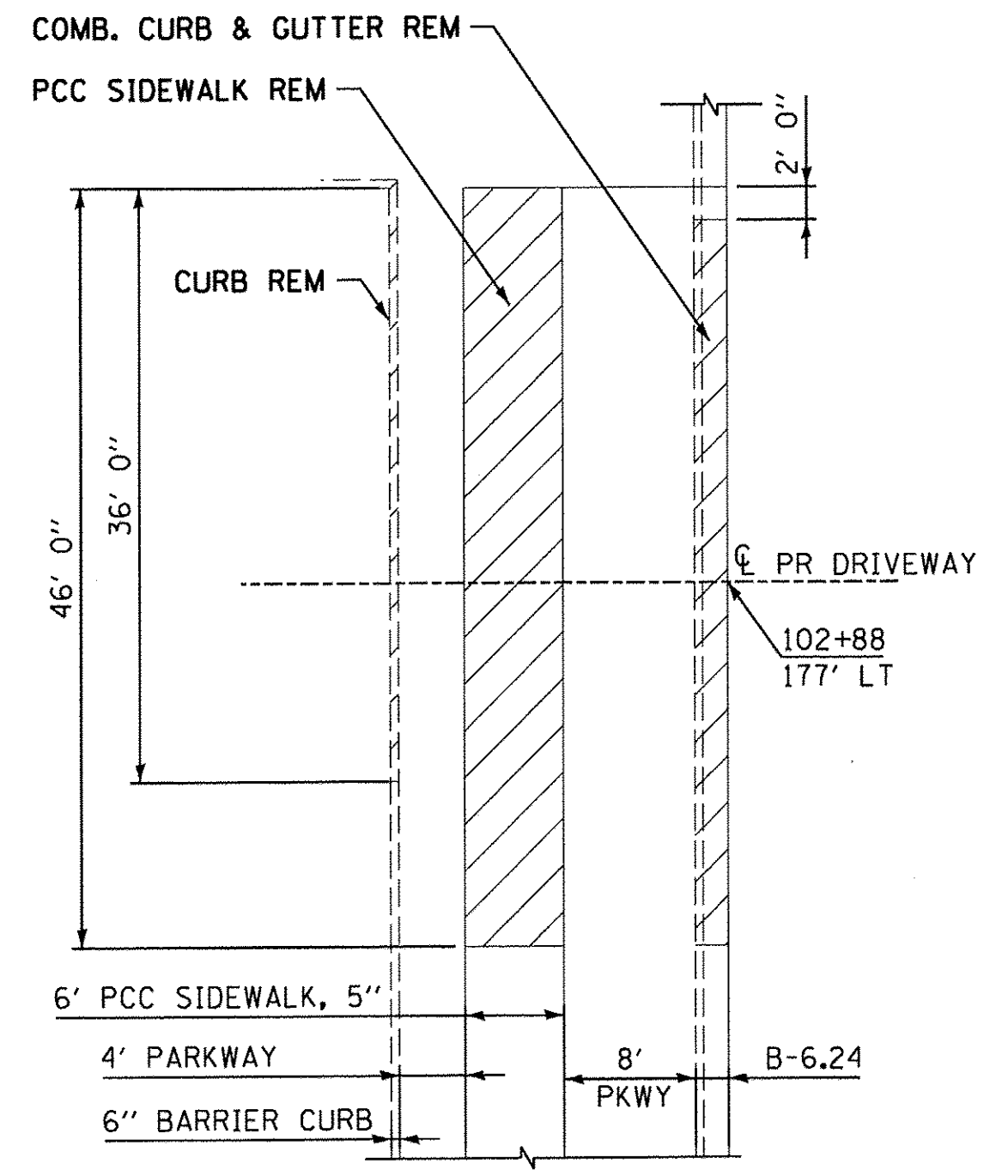
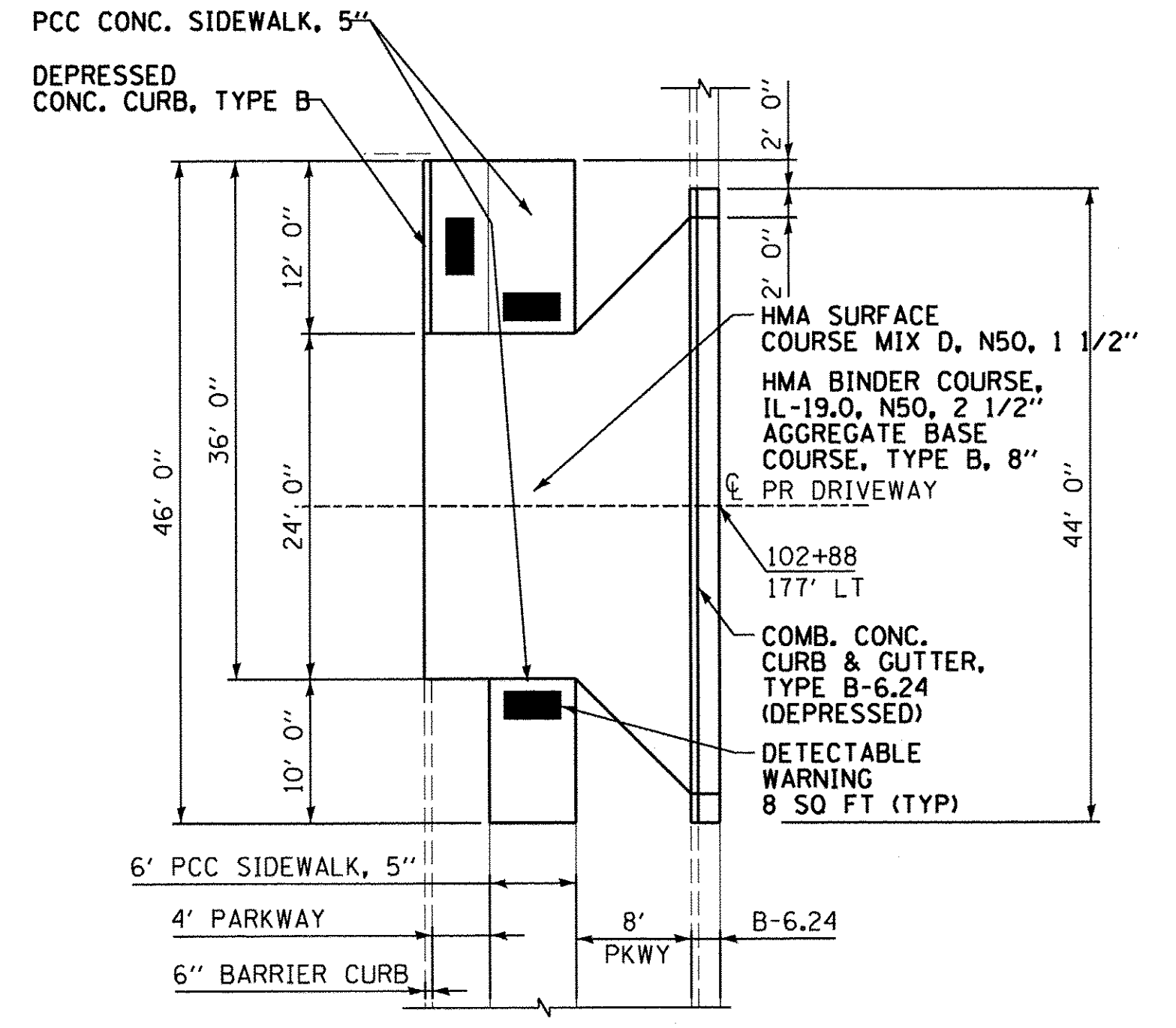


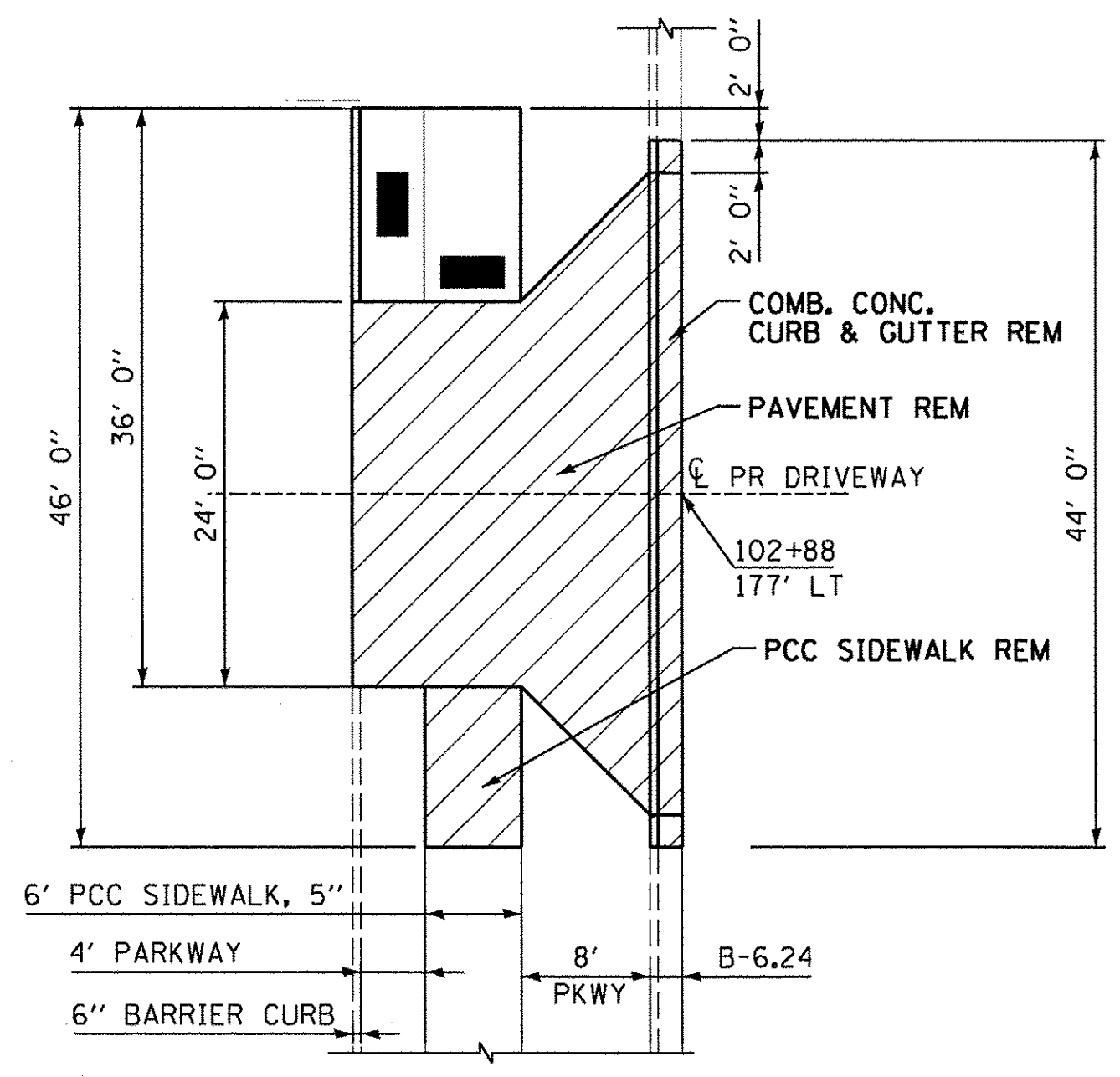
PLATE DETAIL



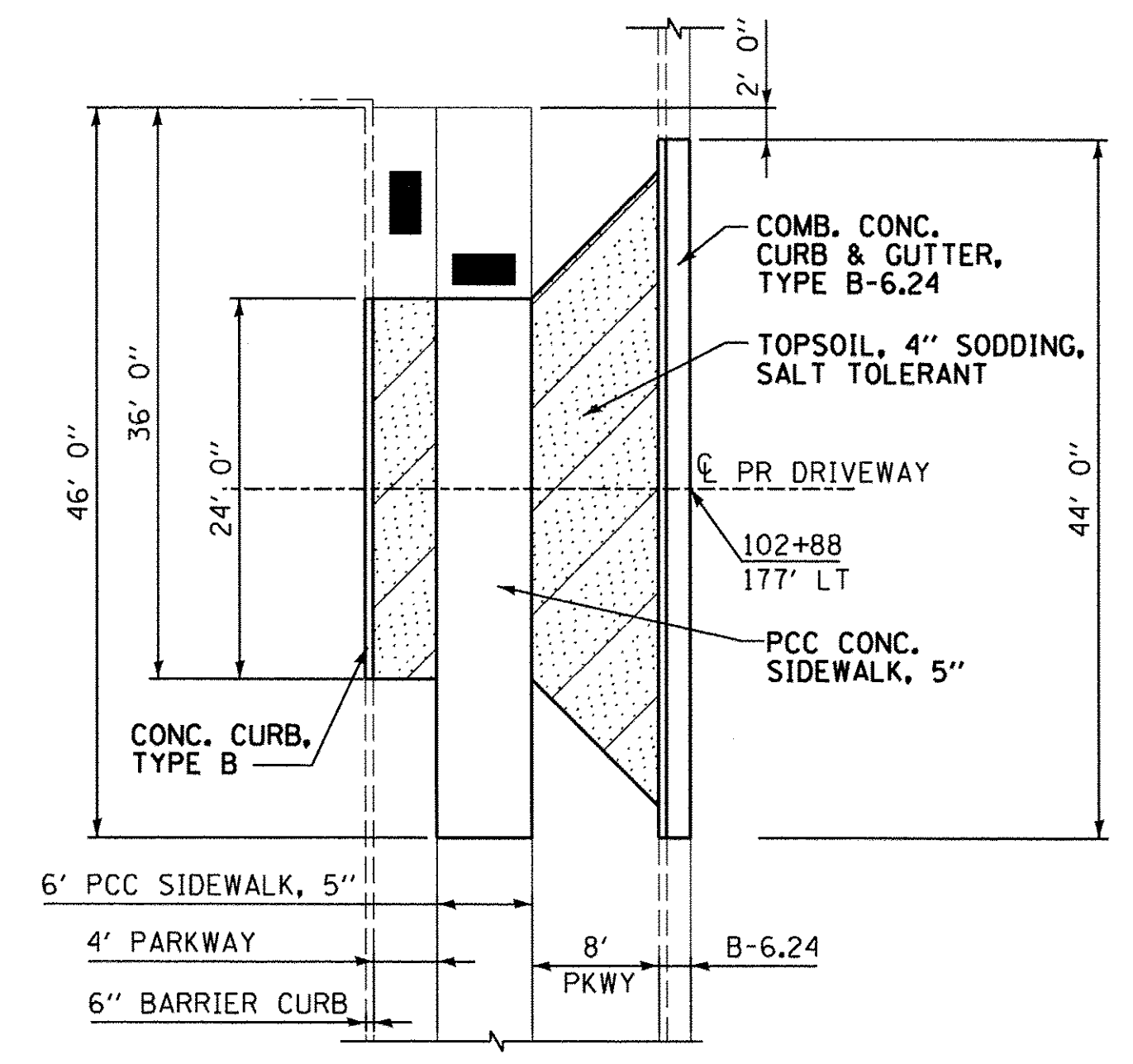
**TEMP. DRIVEWAY
REMOVAL PLAN**



**TEMP. DRIVEWAY
PROPOSED PLAN**



**TEMP. DRIVEWAY
RESTORATION
REMOVAL PLAN**



**TEMP. DRIVEWAY
RESTORATION
PLAN**

PLOT SCALE: #SCALESHORT#

FILE NAME =	DESIGNED -	REVISED -
#FILEL#	DRAWN -	REVISED -
USER NAME = #USER#	CHECKED -	REVISED -
PLOT DATE = #DATE#	DATE -	REVISED -

COOPER CIVIL ENGINEERING, LTD.
1322 ROSALIE STREET EVANSTON, ILLINOIS 60201
(847)864-5343

**STATE OF ILLINOIS
DEPARTMENT OF TRANSPORTATION**

ROADWAY DETAILS			
SHEET NO.	OF SHEETS	STA.	TO STA.

F.A.I. RTE.	SECTION	COUNTY	TOTAL SHEETS	SHEET NO.
	08-00251-00-BR	COOK	118	104
CONTRACT NO.63817				
ILLINOIS FED. AID PROJECT				