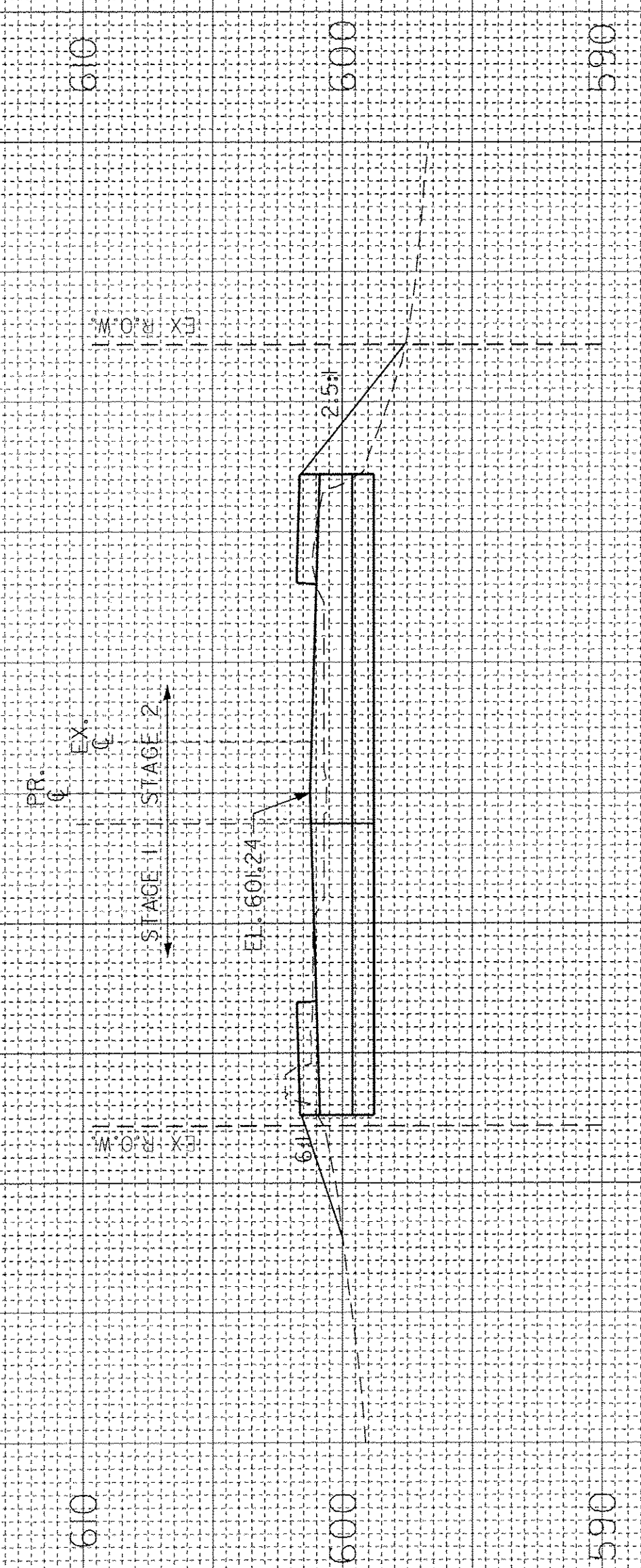


FINAL SURVEY	SURVEYED	BY	DATE
NOTE BOOK	PLOTTED		
NO.	TEMPLATE		
	AREAS CHECKED		

ORIGINAL SURVEY	SURVEYED	BY	DATE
NOTE BOOK	PLOTTED		
NO.	TEMPLATE		
	AREAS CHECKED		

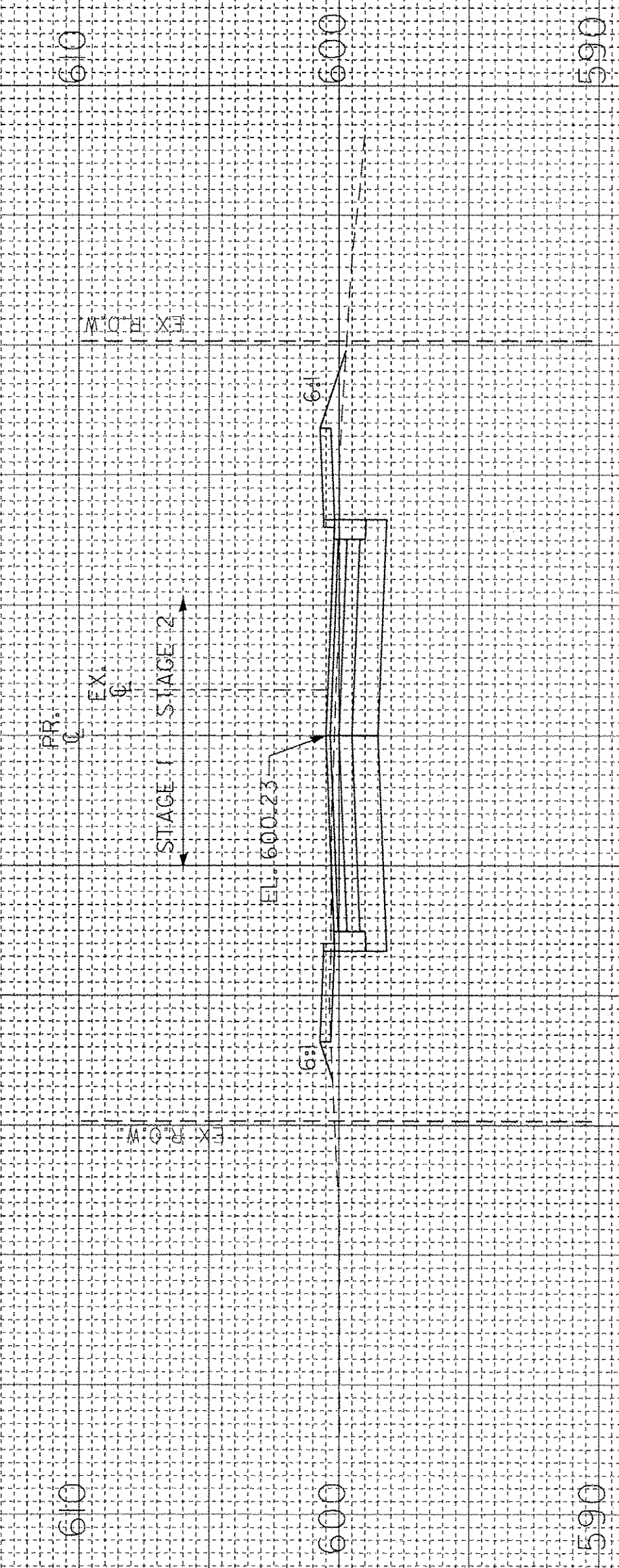
99+00



STA. 99+00
EARTH EXCAVATION (SQ. FT.)
TOPSOIL EXCAVATION (SQ. FT.)
FURNISHED EXCAVATION (SQ. FT.)

STAGE 1	40.26
STAGE 2	31.70
	3.30
	14.25

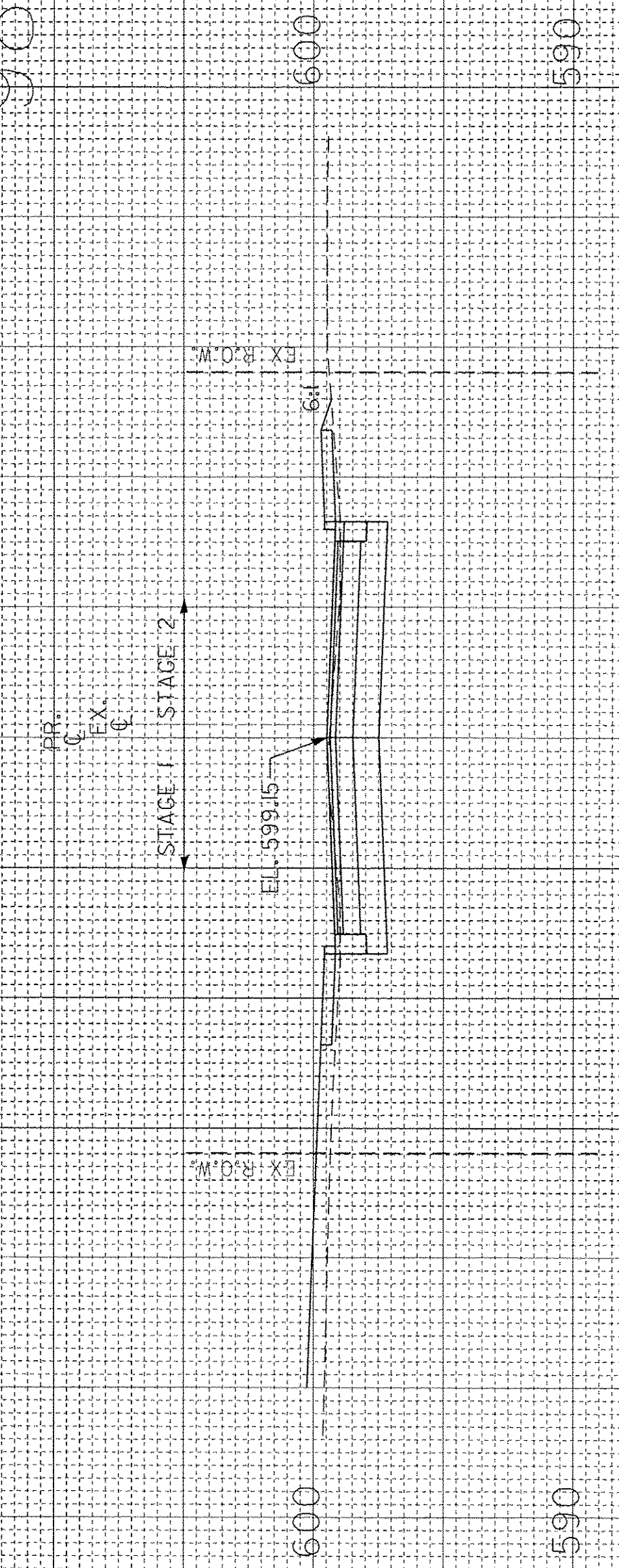
98+50



STA. 98+50
EARTH EXCAVATION (SQ. FT.)
TOPSOIL EXCAVATION (SQ. FT.)
FURNISHED EXCAVATION (SQ. FT.)

STAGE 1	14.86
STAGE 2	3.86
	2.97
	5.83

98+00



STA. 98+00
EARTH EXCAVATION (SQ. FT.)
TOPSOIL EXCAVATION (SQ. FT.)
FURNISHED EXCAVATION (SQ. FT.)

STAGE 1	18.18
STAGE 2	17.55
	3.30
	2.31
	3.50

FILE NAME =
#FILE#

USER NAME = #USER#
PLOT SCALE = #SCALE#
PLOT DATE = #DATE#

DESIGNED -
DRAWN -
CHECKED -
DATE -

REVISED -
REVISED -
REVISED -
REVISED -

STATE OF ILLINOIS
DEPARTMENT OF TRANSPORTATION

CROSS SECTIONS

SCALE: 1" = 10'
SHEET NO. 116 OF 118 SHEETS
STA. 98+00 TO STA. 99+00

F.A. RTE.	SECTION	COUNTY	TOTAL SHEETS	SHEET NO.
	08-00251-00-BR	COOK	118	116
CONTRACT NO. 63817				
ILLINOIS FED. AID PROJECT				