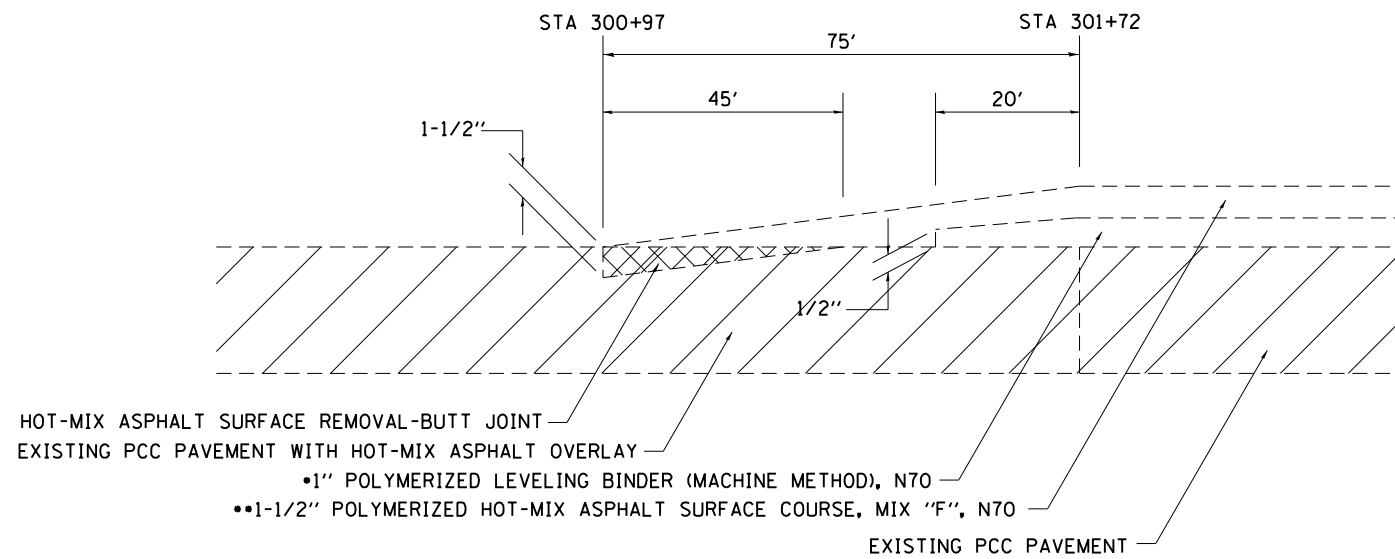


TYPICAL SECTIONS

TYPICAL BUTT JOINT TAPER

STA 300+97 TO STA 301+72



 EXISTING PAVEMENT

 REMOVAL

- RATE OF APPLICATION 112 LB/SQ YD/IN
- RATE OF APPLICATION 123 LB/SQ YD/IN

FILE NAME =	USER NAME = rundbladerr	DESIGNED -	REVISED -
et:\pw\work\p\dot\rundbladerr\d0275077	D206211-sh-typical.dgn	DRAWN -	REVISED -
Default	PLOT SCALE = 100.0000' / in.	CHECKED -	REVISED -
	PLOT DATE = Fri Mar 15 13:23:27 2013	DATE -	REVISED -

STATE OF ILLINOIS
DEPARTMENT OF TRANSPORTATION

TYPICAL SECTIONS

SCALE: SHEET OF SHEETS STA. TO STA.

F.A.P. RTE.	SECTION	COUNTY	TOTAL SHEETS	SHEET NO.
517	1R	BOONE	126	15
CONTRACT NO. 64G97				
ILLINOIS FED. AID PROJECT				