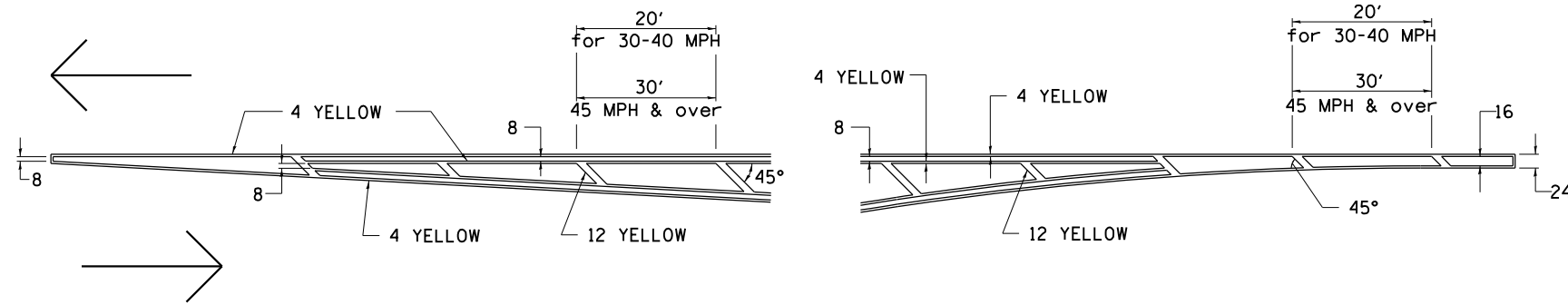
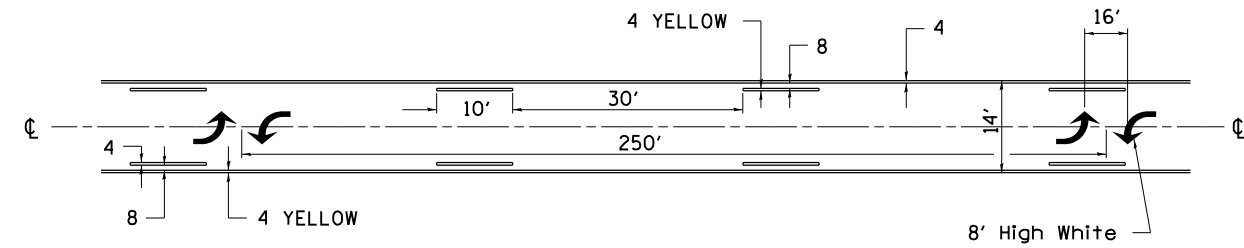


TYPICAL PAVEMENT MARKINGS

TYPICAL PAVEMENT MARKING FOR FLUSH MEDIAN AT LEFT TURN LANE

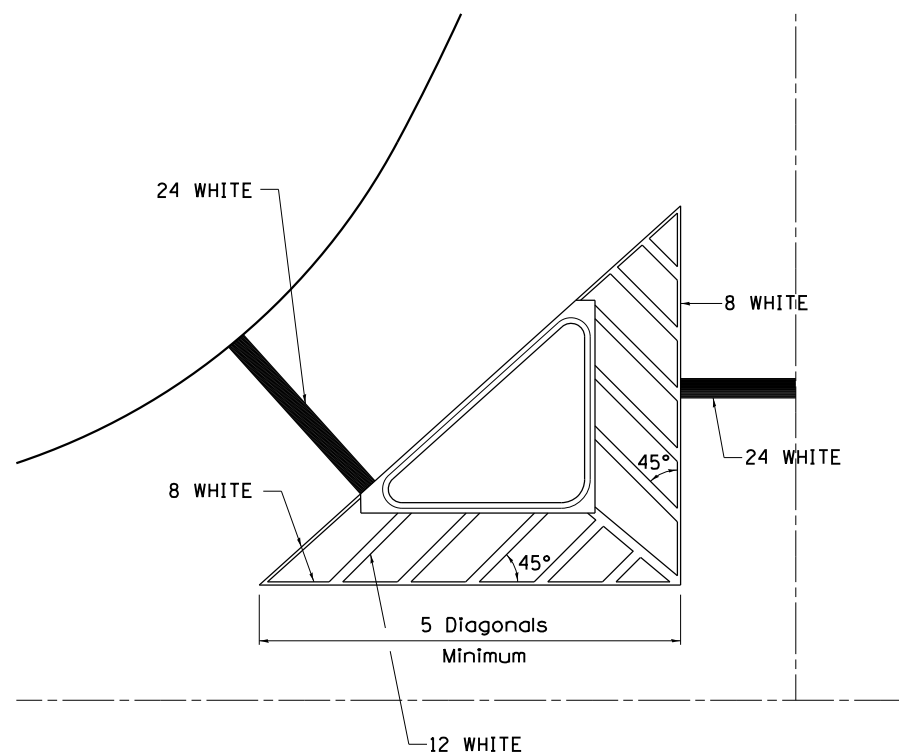


MEDIAN PAVEMENT MARKING

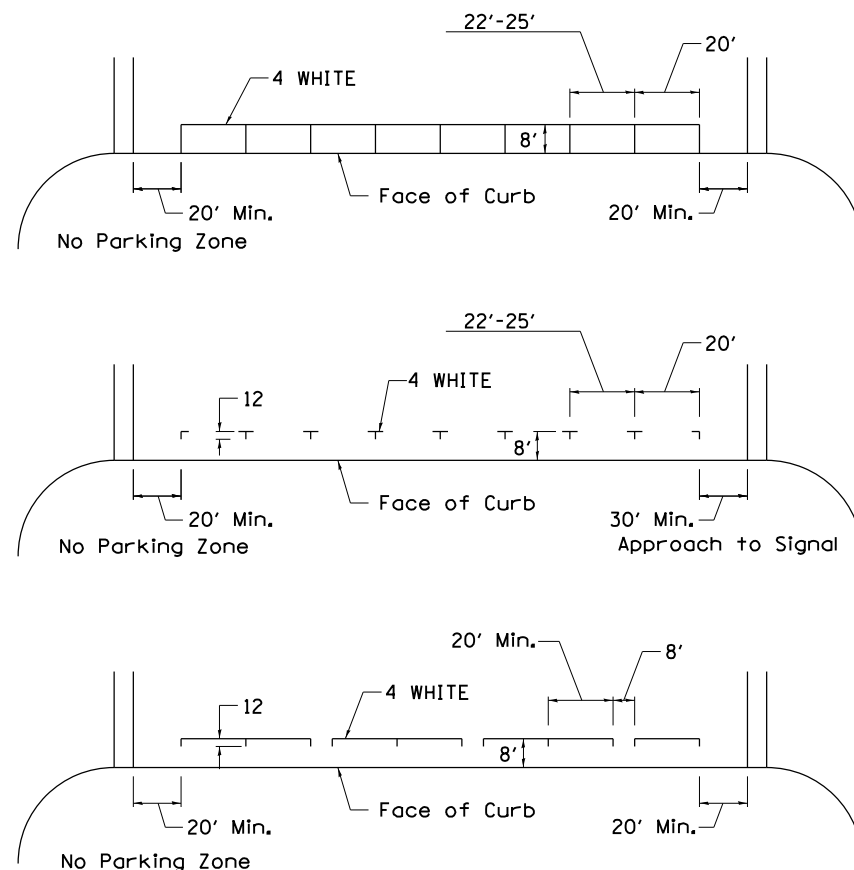


•• ALL DIMENSIONS ARE IN INCHES UNLESS OTHERWISE NOTED.

TYPICAL ISLAND OFFSET SHOULDER WIDTH

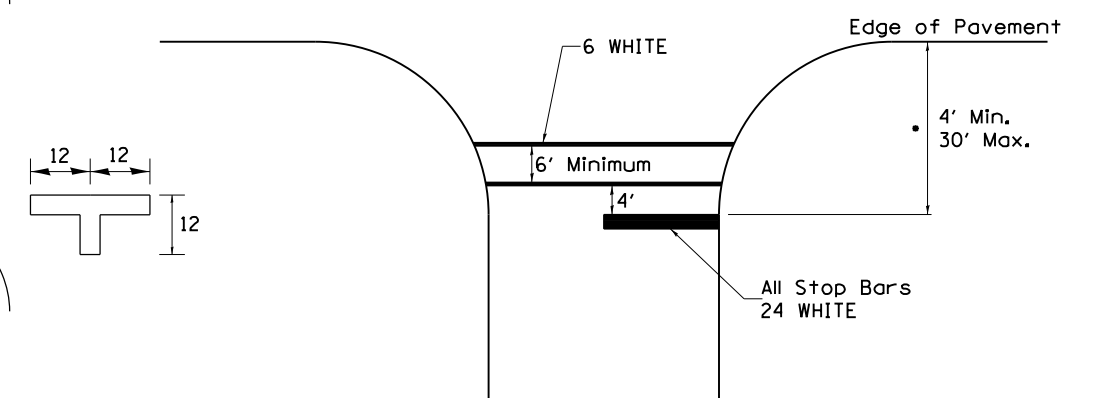


TYPICAL PARKING SPACING



STANDARD CROSSWALK MARKING

See Schedules for Locations



• Distance to the nearest edge of the intersecting roadway in the absence of a marked crosswalk.

FILE NAME =	USER NAME = rundbladerr	DESIGNED -	REVISED - 3-05-12	STATE OF ILLINOIS DEPARTMENT OF TRANSPORTATION	REGION 2 / DISTRICT 2 STANDARD			F.A.P. RTE.	SECTION	COUNTY	TOTAL SHEETS	SHEET NO.
et:\pw\work\p\idot\rundbladerr\d0275077	D206211-sh1-cover.dgn	DRAWN -	REVISED -					517	1R	BOONE	126	84
	PLOT SCALE = 100.0000' / in.	CHECKED -	REVISED -		CONTRACT NO. 64C97							
	PLOT DATE = Fri Mar 15 13:39:28 2013	DATE -	REVISED -		FED. ROAD DIST. NO. ILLINOIS FED. AID PROJECT							