

BENCH MARK:
Painted & chiseled mark X top of North end east guardrail, 18' Rt., Sta. 329+37, Elev. 670.48

Existing Structure: S.N. 008-0010 was built by County, Sta. 328+95 in approx. 1925 as S.B.I. Rte. 40, Section II B, one span, with reinforced concrete through girders, 53'-1/2" back to back abutments and 22'-4" in to in guard rails. Traffic will be maintained utilizing Stage Construction. Salvage - None

SCOPE OF WORK:

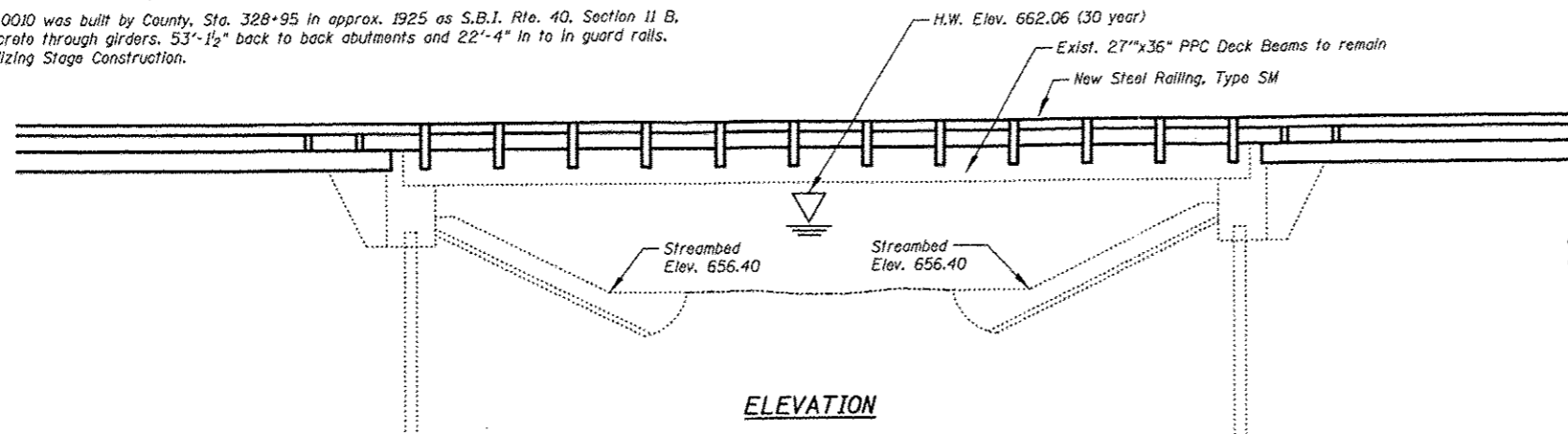
1. Remove existing 3" Bituminous Concrete Surface Course, Mix I & Waterproofing Membrane System.
2. Install Concrete Wearing Surface, 5"
3. Remove existing Steel Railing.
4. Install new Steel railing, Type SM

INDEX OF SHEETS

- S1 GENERAL PLAN & ELEVATION
- S2 CONSTRUCTION STAGING
- S3 TEMPORARY CONCRETE BARRIER FOR STAGE CONSTRUCTION
- S4 REINFORCEMENT PLAN
- S5 ABUTMENT DETAILS
- S6 STEEL RAILING, TYPE SM WITH CONCRETE WEARING SURFACE
- S7 BAR SPLICER ASSEMBLY DETAILS

GENERAL NOTES

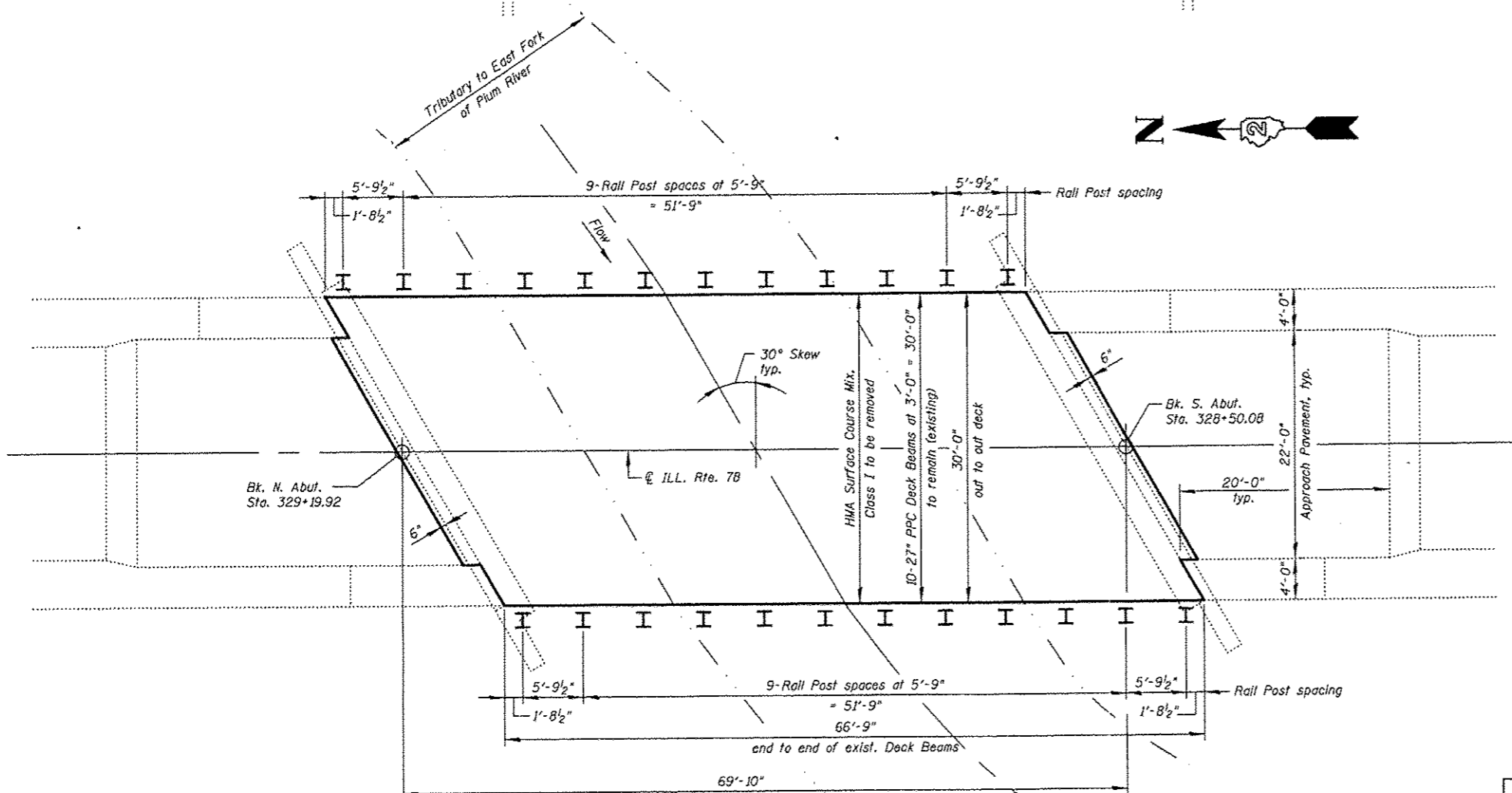
The minimum thickness of the Concrete Overlay shall be 5" & varies as required to adjust the new Profile Grade and Beam Camber.
Stream work is not allowed on this project.



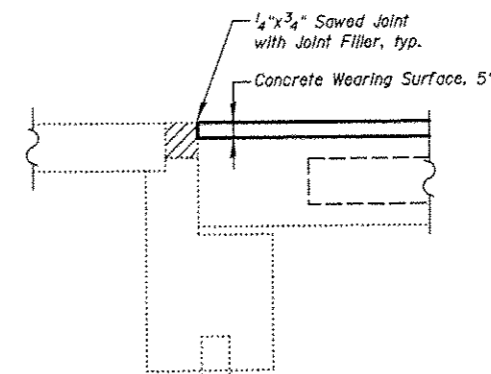
ELEVATION

TOTAL BILL OF MATERIAL

DESCRIPTION	UNIT	SUPER.	SUB.	TOTAL
Concrete Structures	Cu Yd	-	4.7	4.7
Bridge Deck Grooving	Sq Yd	208	-	208
Reinforcement Bars, Epoxy Coated	Pound	4,970	920	5,890
Bar Splacers	Each	70	12	82
Steel Railing, Type SM	Foot	134	-	134
Bridge Rail Removal	Foot	134	-	134
Concrete Wearing Surface, 5"	Sq Yd	223	-	223
Hot-Mix Asphalt Surface Removal (Deck)	Sq Yd	233	-	233
Concrete Removal	Cu Yd	-	4.0	4.0



PLAN



SECTION THRU ABUTMENTS



Bhadrish N. Shah
BHADRISH N. SHAH MARCH 08, 2013
LICENSED STRUCTURAL ENGINEER
STATE OF ILLINOIS LIC. No. 081-004476
EXPIRES: 11-30-14

DESIGN SPECIFICATIONS

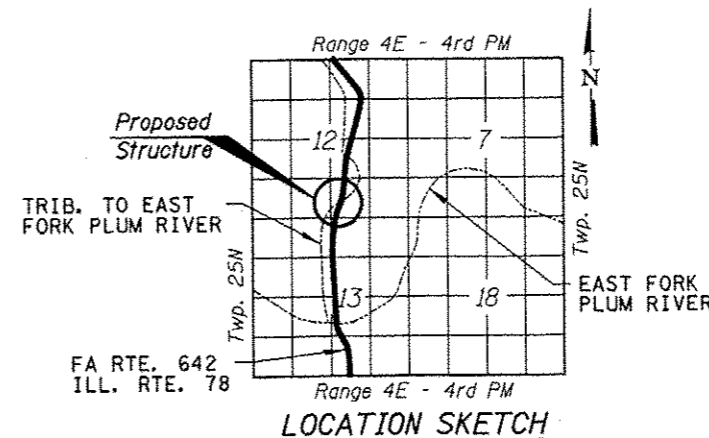
2002 AASHTO Standard Specifications

DESIGN STRESSES

$f'_c = 5,000$ psi
 $f_y = 60,000$ psi (Reinforcement)

LOADING HS20-44

No allowance for future Wearing Surface



LOCATION SKETCH

GENERAL PLAN & ELEVATION
F.A.P. RTE. 642, ILL. RTE. 78 OVER
A TRIBUTARY TO THE EAST FORK
OF THE PLUM RIVER
SEC. D2 DECK REPAIR 2013-4
COUNTY: CARROLL
STATION 328+85.00
STRUCTURE NO. 008-0035

FILE NAME = I:\102709_Plum_River\Structural\CADD Sheets\10264J55-01-01.dgn



USER NAME = IDOT	DESIGNED - B.N.S./J.W./H.S.J.	REVISED -
PLLOT SCALE = 5/8" = 1'	CHECKED - B.N.S./H.S.J./J.W.	REVISED -
PLLOT DATE = 3/6/2013	DRAWN - F.M.	REVISED -
	DATE - MARCH, 2013	REVISED -

STATE OF ILLINOIS
DEPARTMENT OF TRANSPORTATION

SHEET NO. S1 OF S7 SHEETS

F.A.P. RTE.	SECTION	COUNTY	TOTAL SHEETS	SHEET NO.
642	D2 DECK REPAIR 2013-4	CARROLL	25	14
				CONTRACT NO. 64J55
ILLINOIS FED. AID PROJECT				