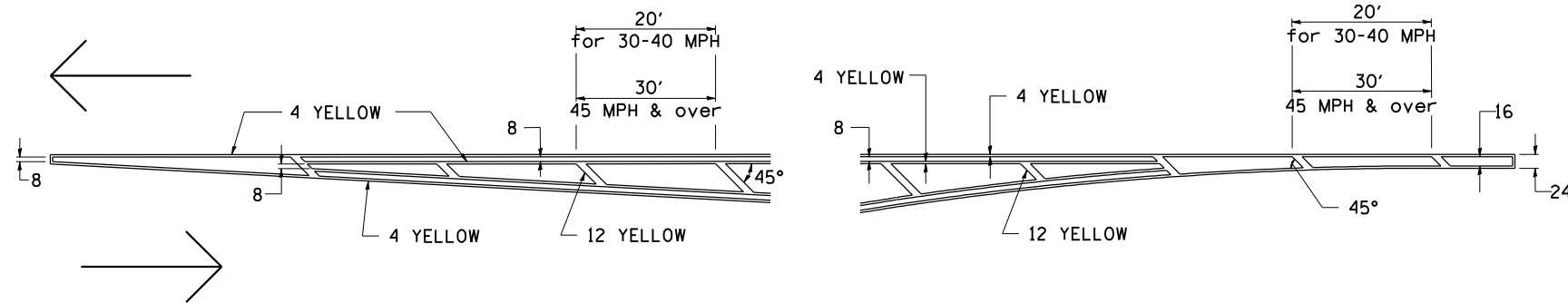
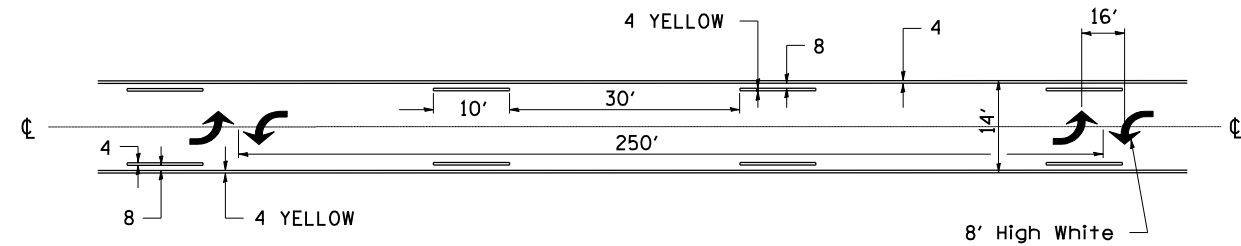


TYPICAL PAVEMENT MARKINGS

TYPICAL PAVEMENT MARKING FOR FLUSH MEDIAN AT LEFT TURN LANE

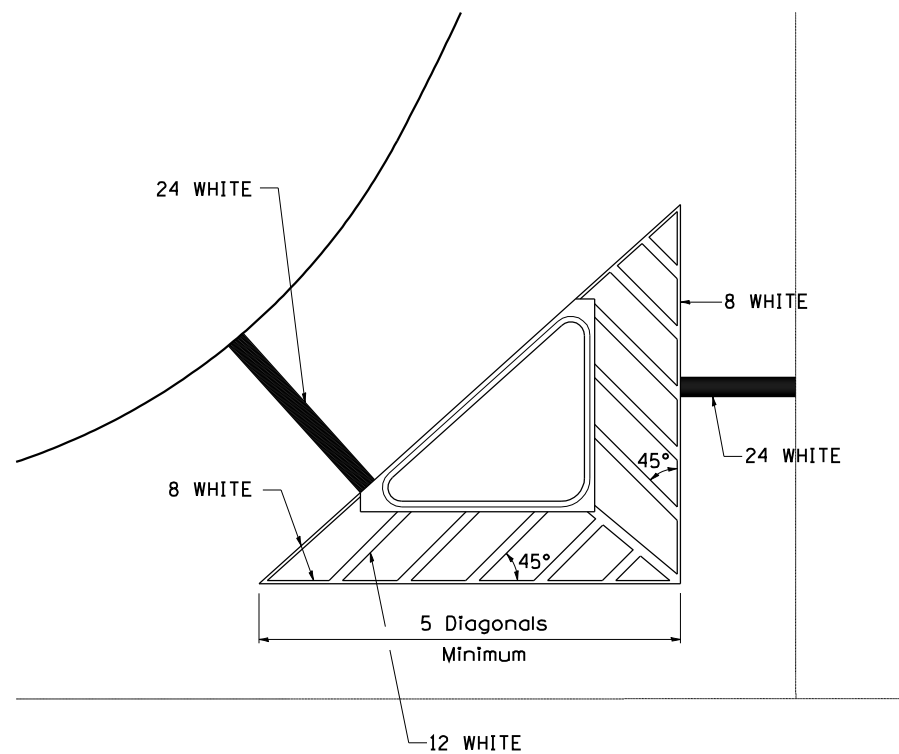


MEDIAN PAVEMENT MARKING

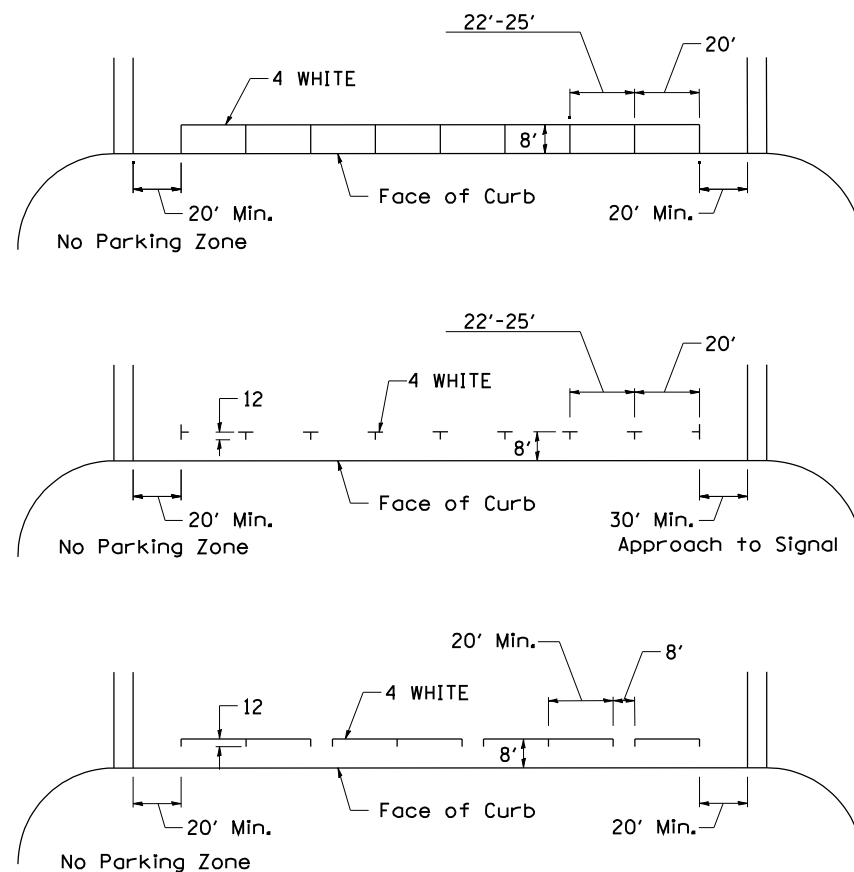


•• ALL DIMENSIONS ARE IN INCHES UNLESS OTHERWISE NOTED.

TYPICAL ISLAND OFFSET SHOULDER WIDTH

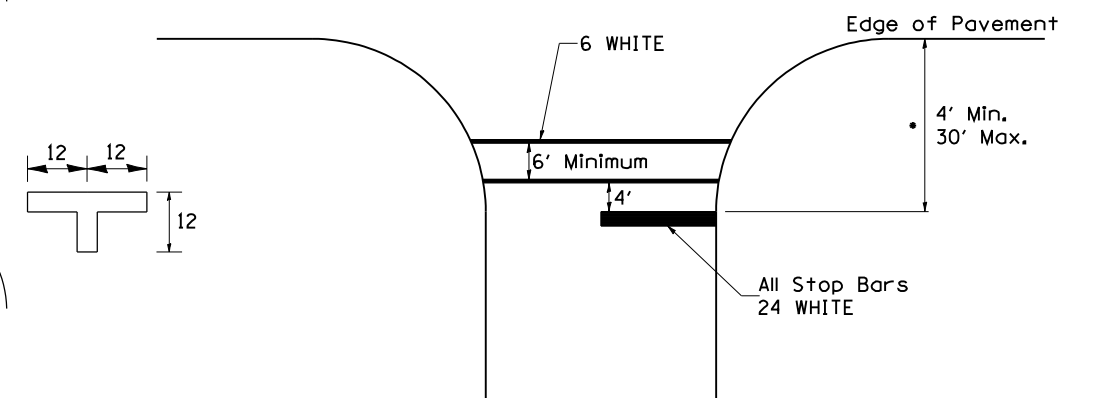


TYPICAL PARKING SPACING



STANDARD CROSSWALK MARKING

See Schedules for Locations



• Distance to the nearest edge of the intersecting roadway in the absence of a marked crosswalk.

FILE NAME =	USER NAME = IDOT	DESIGNED -	REVISED - 10-18-11	STATE OF ILLINOIS DEPARTMENT OF TRANSPORTATION	REGION 2 / DISTRICT 2 STANDARD			F.A.P. RTE.	SECTION	COUNTY	TOTAL SHEETS	SHEET NO.
It:\102709_Plum River\CADD Sheets\0264H2-sh1-DETAIL02.dgn	DRAWN -	REVISED -	642					D2 DECK REPAIR 2013-4	CARROLL	25	22	
PLOT SCALE = 100.0000' / IN.	CHECKED -	REVISED -	CONTRACT NO. 64J55									
PLOT DATE = 3/7/2013	DATE -	REVISED -	FED. ROAD DIST. NO. ILLINOIS FED. AID PROJECT									