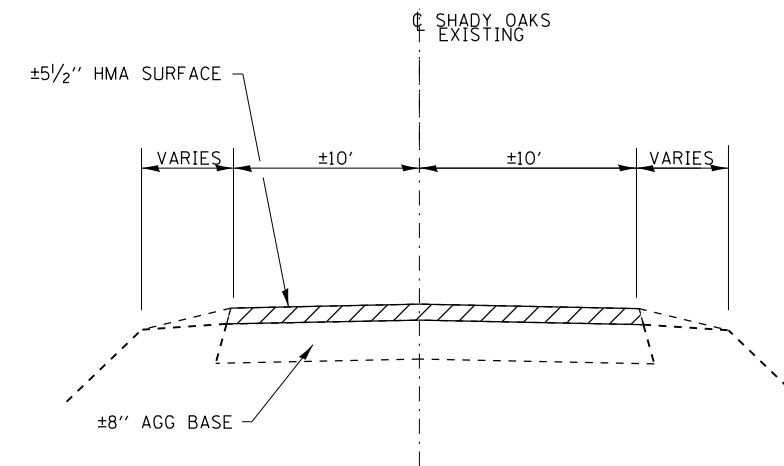
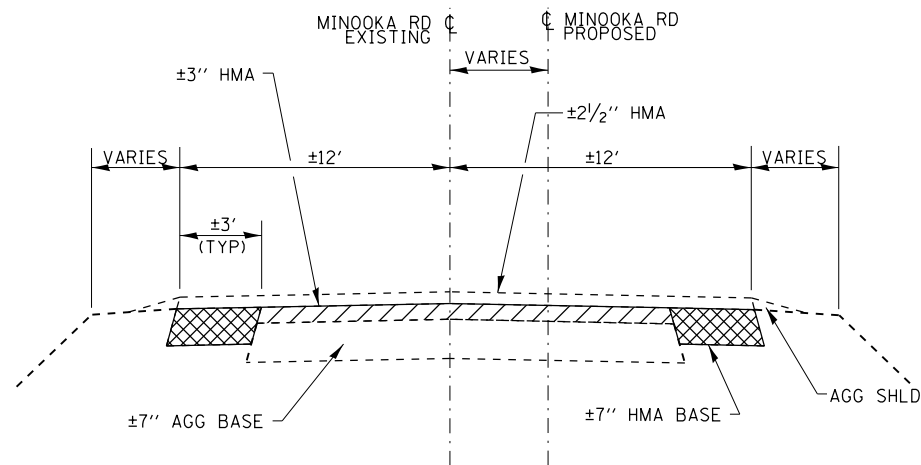


EXISTING MINOOKA RD

STA. 36+57 - STA. 48+73



EXISTING SHADY OAKS RD



EXISTING MINOOKA RD

STA. 51+54 - STA. 73+31.6

FILE NAME =	USER NAME = duncanbd	DESIGNED -	REVISED -
et:\pwork\pwork\dot\duncanbd\dms58037\ep01904-sh-typical.dgn		DRAWN -	REVISED -
	PLOT SCALE = 100.0000' / in.	CHECKED -	REVISED -
	PLOT DATE = 3/15/2013	DATE -	REVISED -

**STATE OF ILLINOIS
DEPARTMENT OF TRANSPORTATION**

EXISTING TYPICAL SECTIONS

SCALE: SHEET NO. OF SHEETS STA. TO STA.

F.A.I. RTE.	SECTION	COUNTY	TOTAL SHEETS	SHEET NO.
80	(32,47-4)HBR-2	GRUNDY	143	15
ILLINOIS FED. AID PROJECT			CONTRACT NO. 66873	