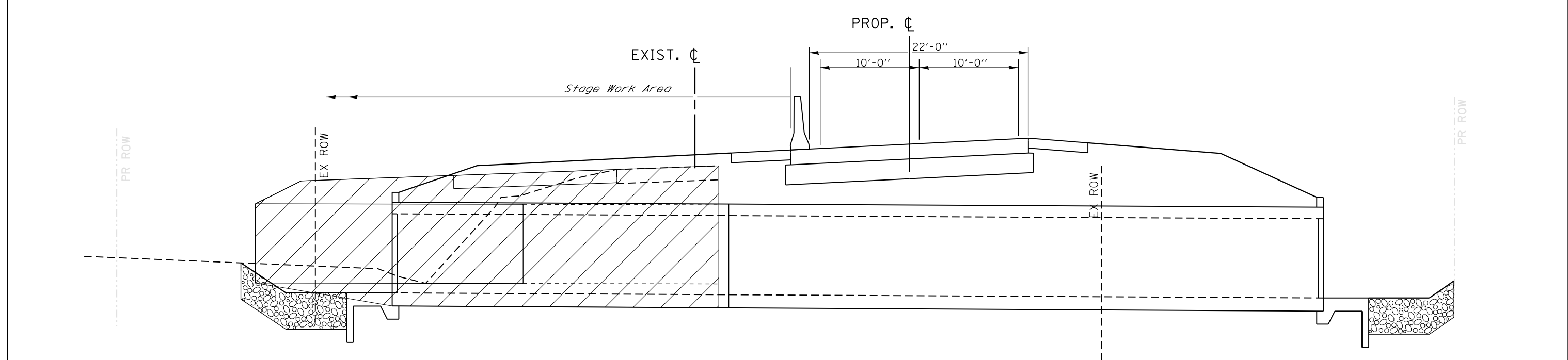


**STAGE 1**



**STAGE 2**

FILE NAME =	USER NAME = duncanbd	DESIGNED -	REVISED -	<b>STATE OF ILLINOIS DEPARTMENT OF TRANSPORTATION</b>	<b>BOX CULVERT DETAILS STAGING</b>		F.A.I. R.T.E.	SECTION	COUNTY	TOTAL SHEETS	SHEET NO.	
c:\pwork\pwork\dot\duncanbd\dms58037\ep01904-sht-boxculvertdetails.DGN		DRAWN -	REVISED -		SCALE:	SHEET NO. 2 OF 4 SHEETS	STA.	80	(32,47-4)HBR-2	GRUNDY	143	59
		CHECKED -	REVISED -				TO STA.	CONTRACT NO. 66873				
		DATE -	REVISED -		ILLINOIS FED. AID PROJECT							