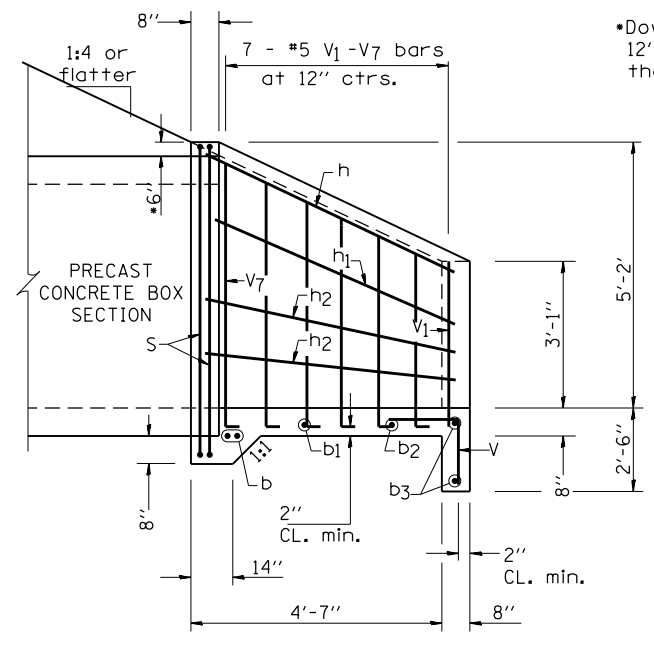


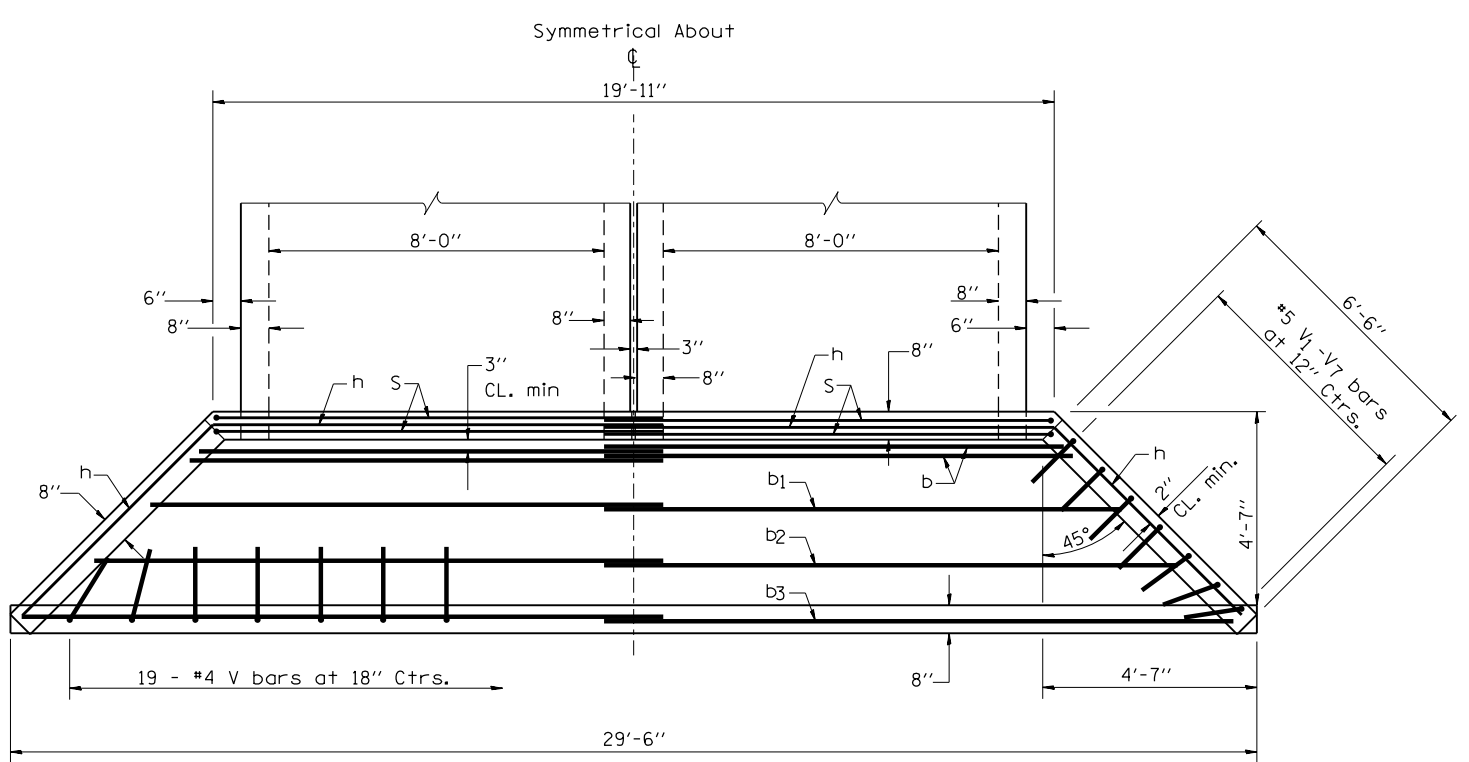
END ELEVATION



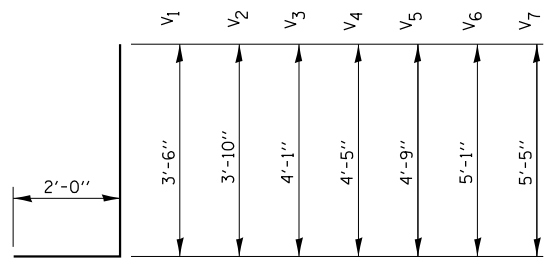
HALF SIDE ELEVATION

•Downstream Headwall shall be 12" in height to accommodate the name plate

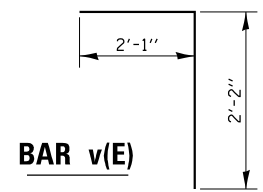
BAR LAP	
SIZE	LAP
#4	1'-8"
#5	2'-2"



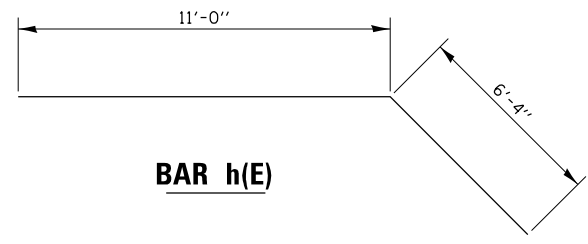
PLAN



BAR v(E) - v(E)



BAR s(E)



BAR h(E)

GENERAL NOTES

CLASS SI CONCRETE SHALL BE USED THROUGHOUT.
EXPOSED EDGES SHALL BE BEVELED 3/4".

BILL OF MATERIAL				
BAR	SIZE	NO.	LENGTH	SHAPE
b(E)	5	4	11'-7"	—
b1(E)	4	2	12'-3"	—
b2(E)	4	2	13'-6"	—
b3(E)	4	4	15'-4"	—
h(E)	5	2	17'-4"	—
h1(E)	4	2	6'-8"	—
h2(E)	4	4	6'-7"	—
s(E)	4	4	27'-2"	—
v(E)	4	19	4'-3"	—
v1(E)	5	2	5'-6"	—
v2(E)	5	2	5'-10"	—
v3(E)	5	2	6'-1"	—
v4(E)	5	2	6'-5"	—
v5(E)	5	2	6'-9"	—
v6(E)	5	2	7'-1"	—
v7(E)	5	2	7'-5"	—
CONCRETE BOX CULVERTS			C.Y.	6.8
REIN. BARS (EPOXY CTD.)			LBS.	410

TABLE FOR ONE (1) HEADWALL