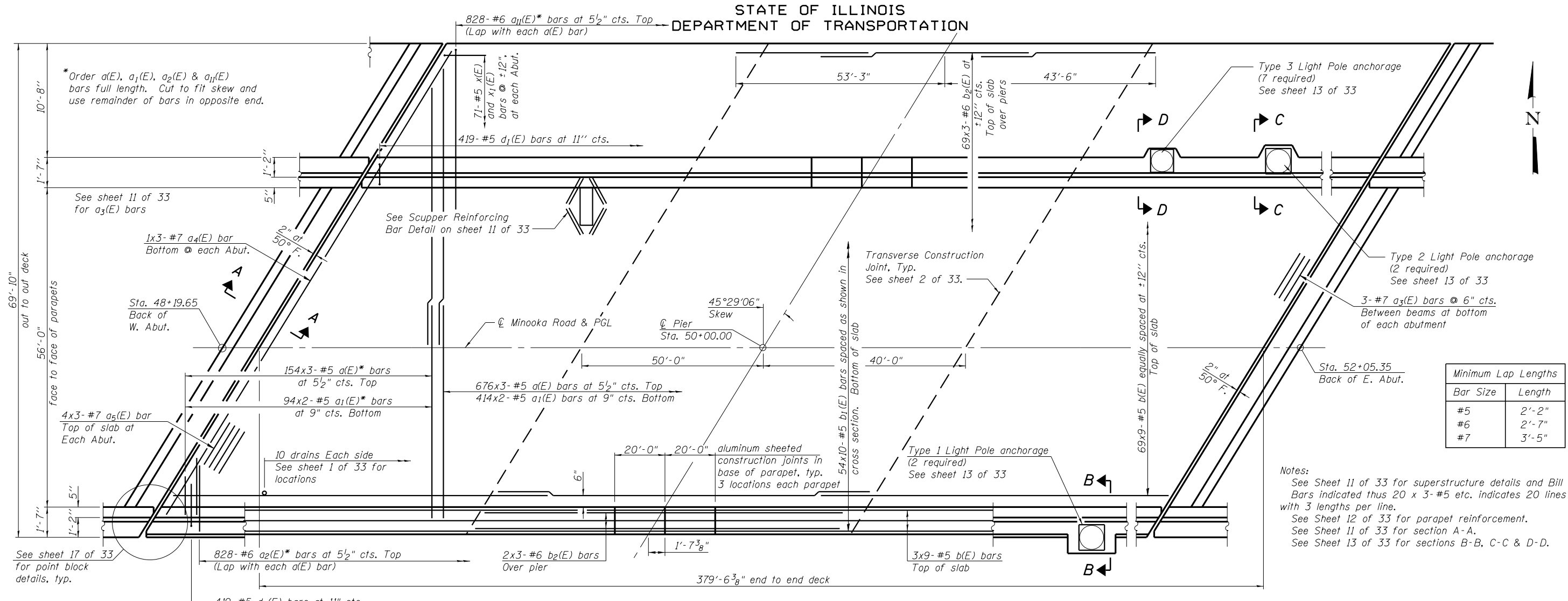
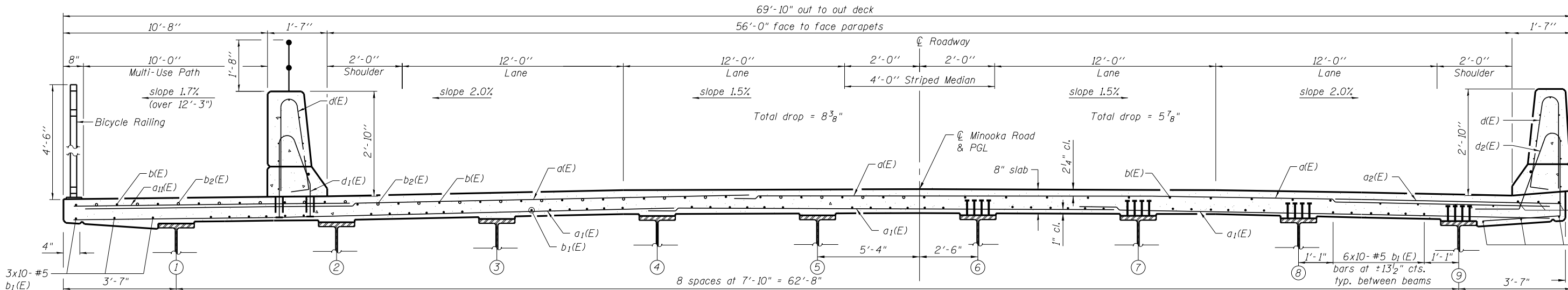


STATE OF ILLINOIS
DEPARTMENT OF TRANSPORTATION



PLAN



CROSS SECTION
(Looking East)

SUPERSTRUCTURE
STRUCTURE NO. 032-0119

Minimum Lap Lengths	
Bar Size	Length
#5	2'-2"
#6	2'-7"
#7	3'-5"

Notes:
See Sheet 11 of 33 for superstructure details and Bill of Material.
Bars indicated thus 20 x 3-#5 etc. indicates 20 lines of bars with 3 lengths per line.
See Sheet 12 of 33 for parapet reinforcement.
See Sheet 11 of 33 for section A-A.
See Sheet 13 of 33 for sections B-B, C-C & D-D.

DESIGNED	- JSI/MAJ/JFS
CHECKED	- JFS/MJB
DRAWN	- MLB/JLP
CHECKED	- JFS/MJB

Foth
Foth Infrastructure & Environment, LLC
7500 North Harker Drive
Peoria, IL 61615
Phone: 309-691-5300 Fax: 309-691-1892
Illinois Registration Number 184,004913

SHEET NO. 10 33 SHEETS	F.A.U. RTE.	SECTION	COUNTY	TOTAL SHEETS	SHEET NO.
	400	(32,47-4) HBR-2	GRUNDY	143	71
		S.N. 032-0119	CONTRACT NO. 66873		
		FED. ROAD DIST. NO.	ILLINOIS FED. AID PROJECT		

c:\pw\work\widow\duncan\bd\0181369110-SUPERSTRUCTURE.dgn