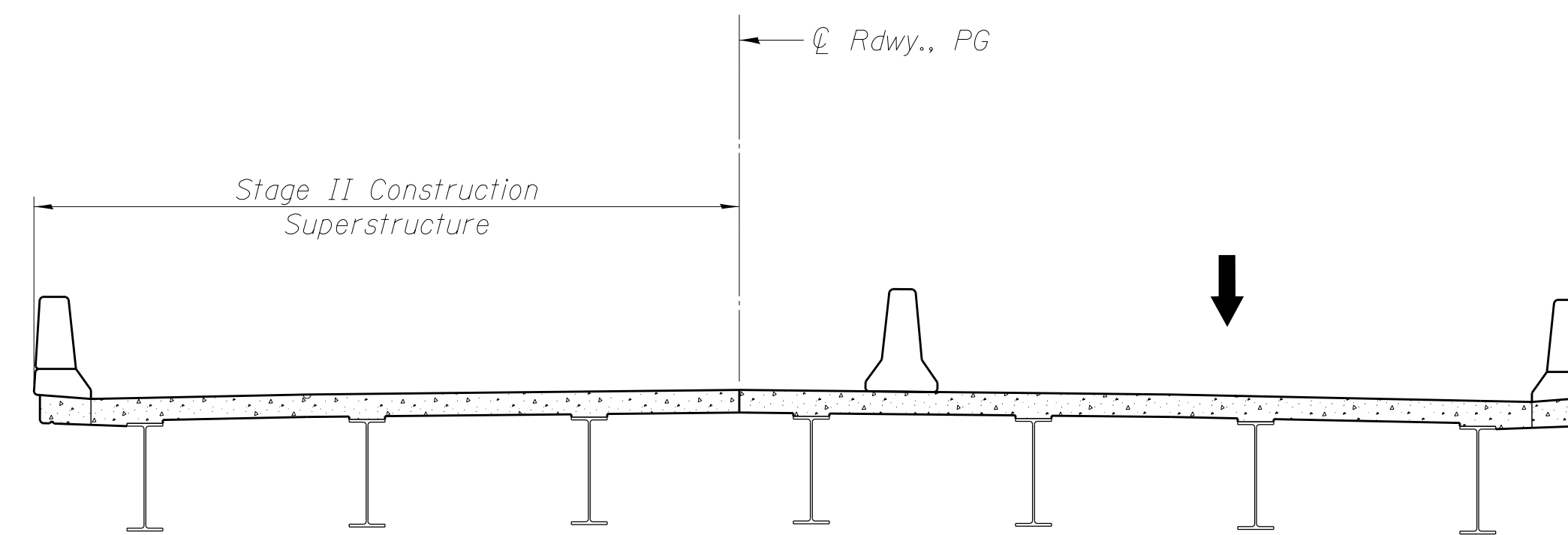
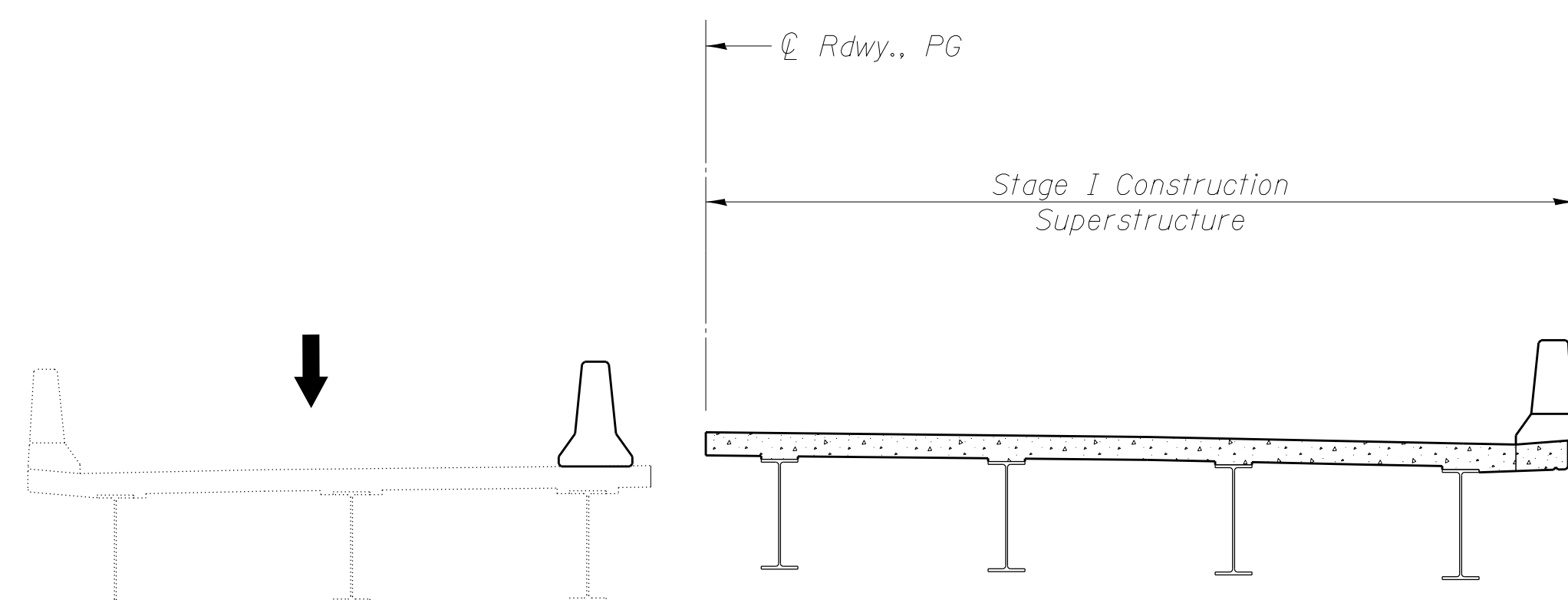


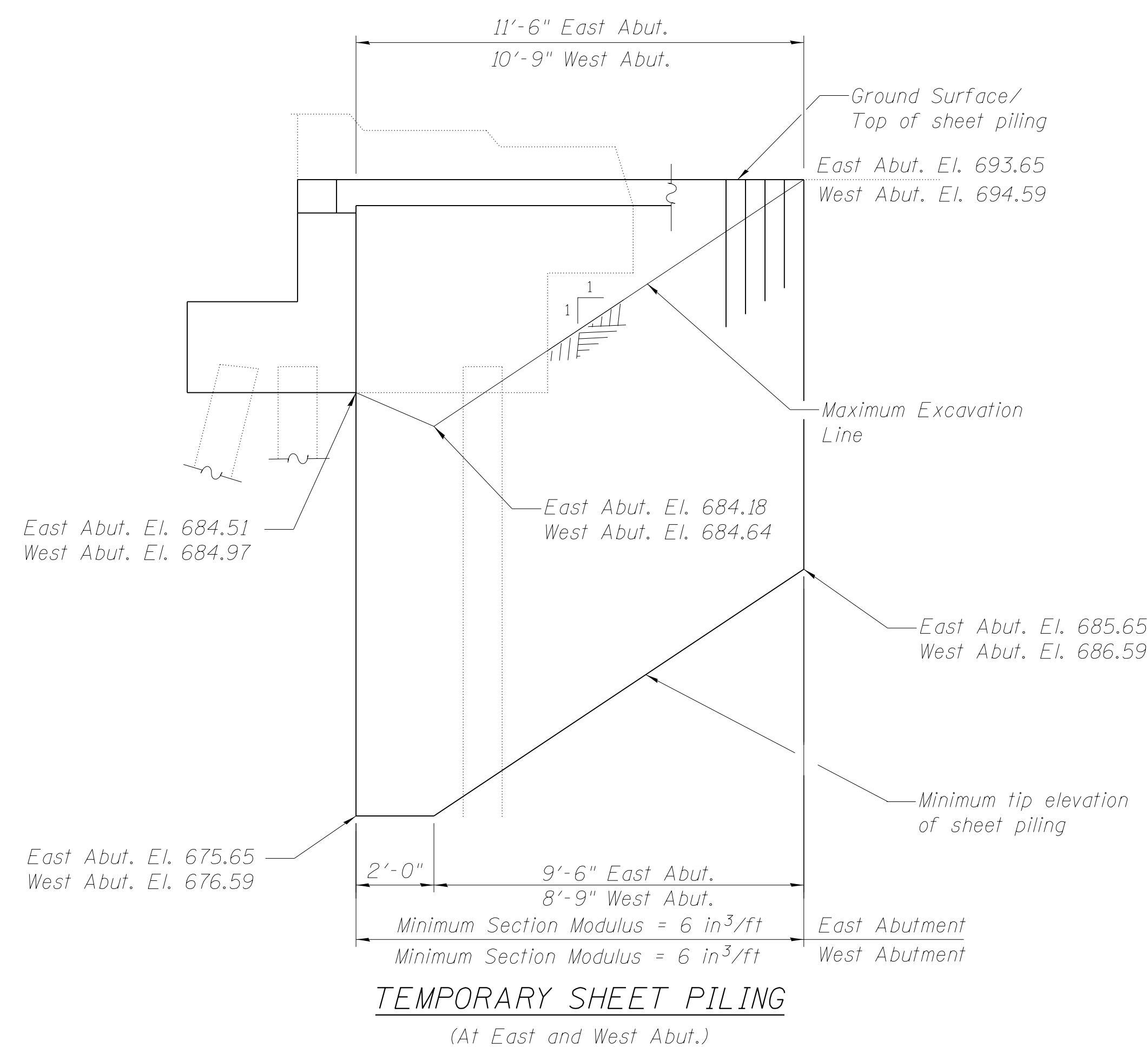
STAGE I REMOVAL
South Structure (N.B.-Looking West)



STAGE II CONSTRUCTION



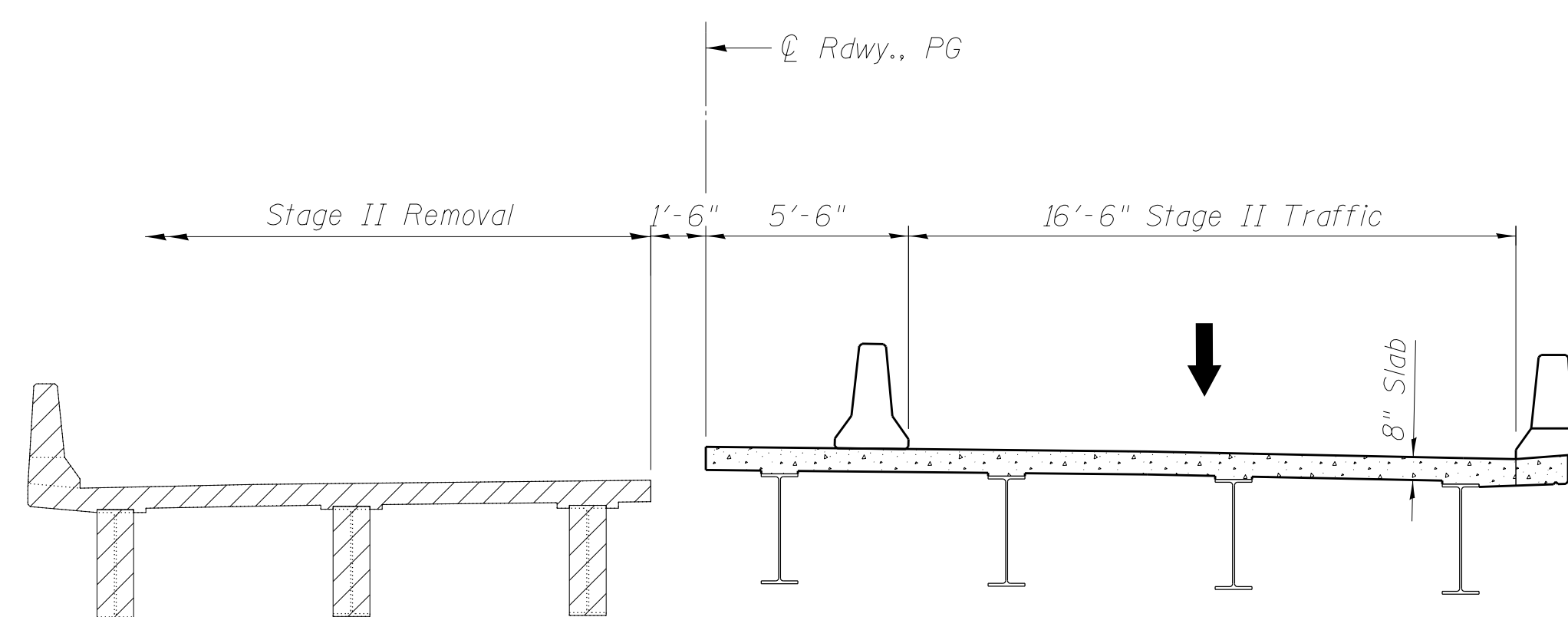
STAGE I CONSTRUCTION



BILL OF MATERIAL

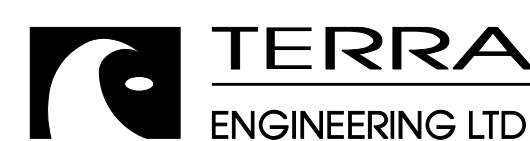
ITEM	UNIT	TOTAL
Temporary Sheet Piling	Sq. Ft.	309

Notes:
 Hatched area indicates Removal of Existing Structures.
 For quantity of Temporary Concrete Barrier, see roadway plans.
 If the Contractor chooses to alter the temporary cantilevered sheet piling design requirements shown on the plans, a design submittal including plan details and calculations will be required for review and acceptance by the Engineer.
 See sheets S34, S36, S39, S48, S50, S52 and S54 for stage construction line and stage removal line in substructures.



STAGE II REMOVAL

M:\1_57_DRAWING\CINRR & ILLI 4510\Drawings\CADD Drawings\Structural\Final Plans\SHTS\0366942-005-Const Staging.dgn



USER NAME =	DESIGNED - EA	REVISED
	CHECKED - OY	REVISED
PLOT SCALE =	DRAWN - CM	REVISED
PLOT DATE	CHECKED - JB	REVISED

**STATE OF ILLINOIS
DEPARTMENT OF TRANSPORTATION**

**NORTHBOUND STAGE CONSTRUCTION DETAILS
STRUCTURE NOS. 038 - 0013 & 0014**

SHEET NO. S05 OF S71 SHEETS

F.A.I. RTE.	SECTION	COUNTY	TOTAL SHEETS	SHEET NO.
57	38-2HVB, HVBR-1	IROQUOIS	146	44
				CONTRACT NO. 66942
ILLINOIS FED. AID PROJECT				