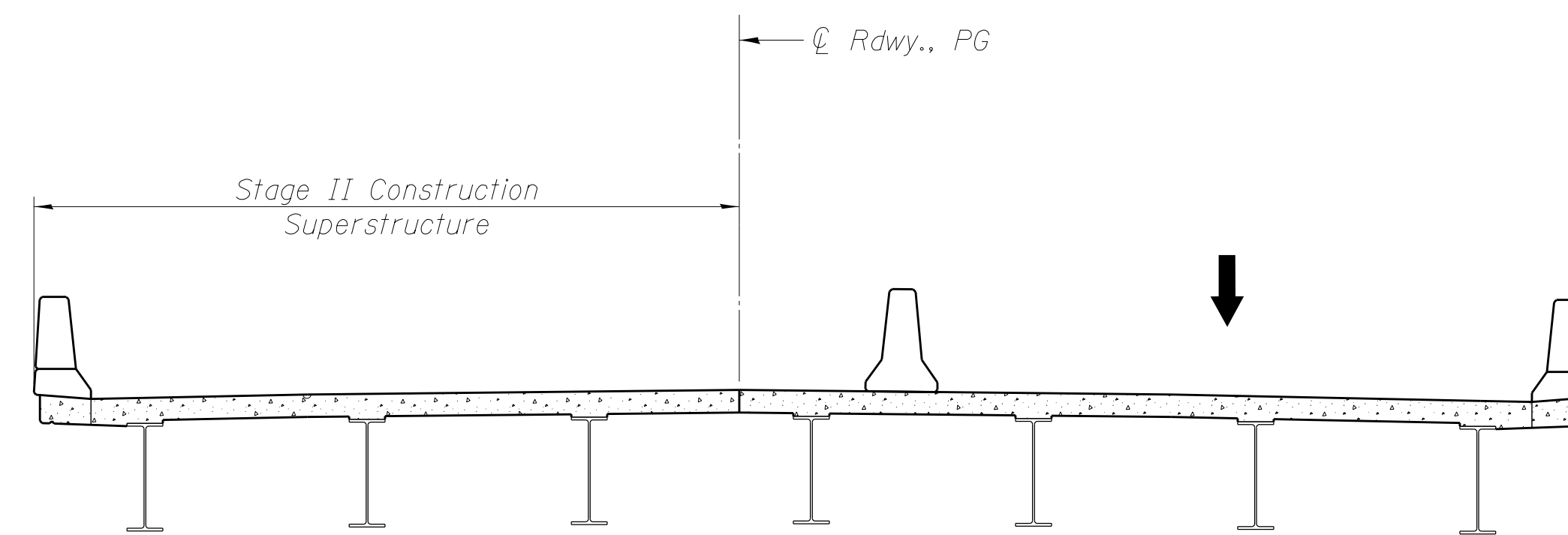
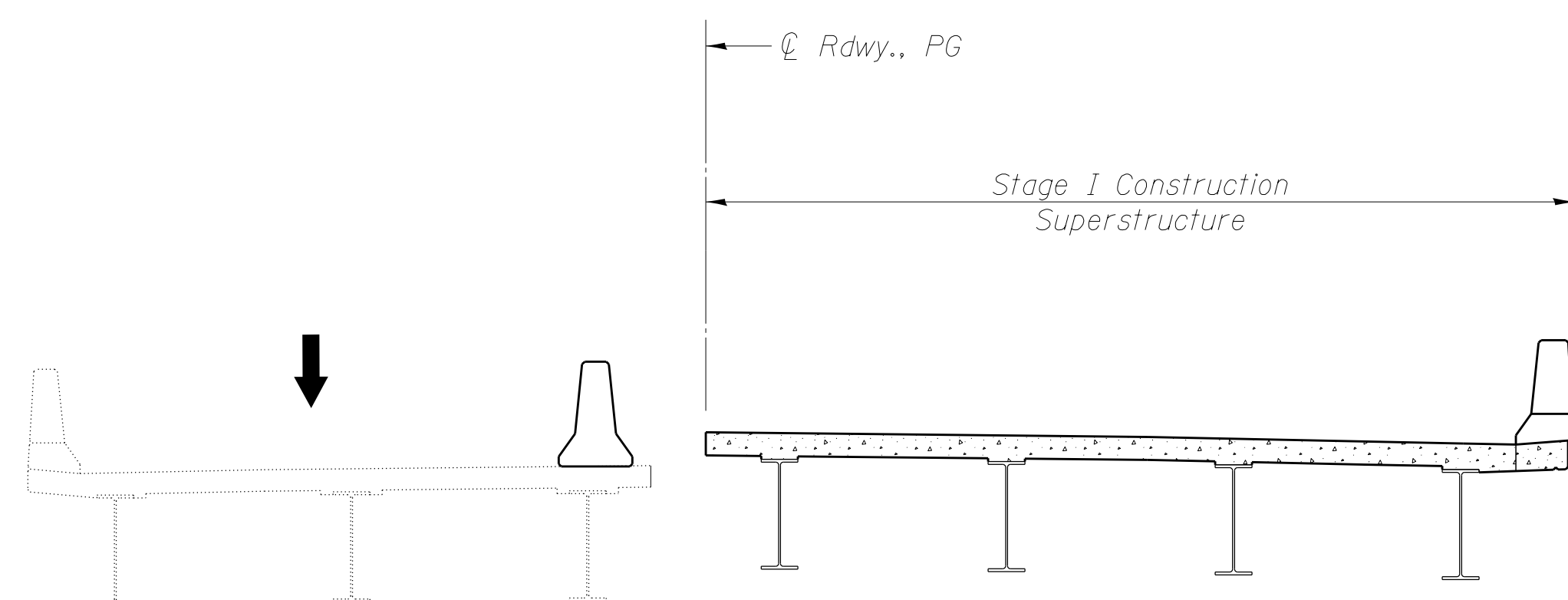


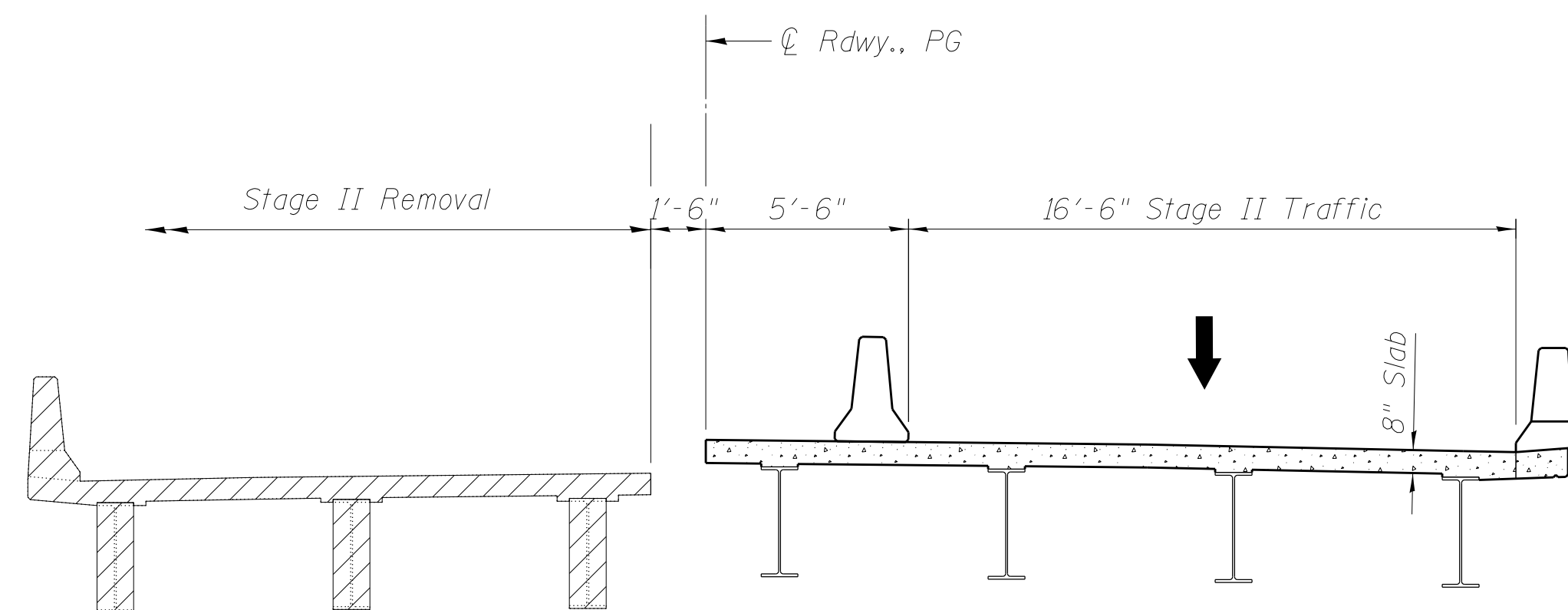
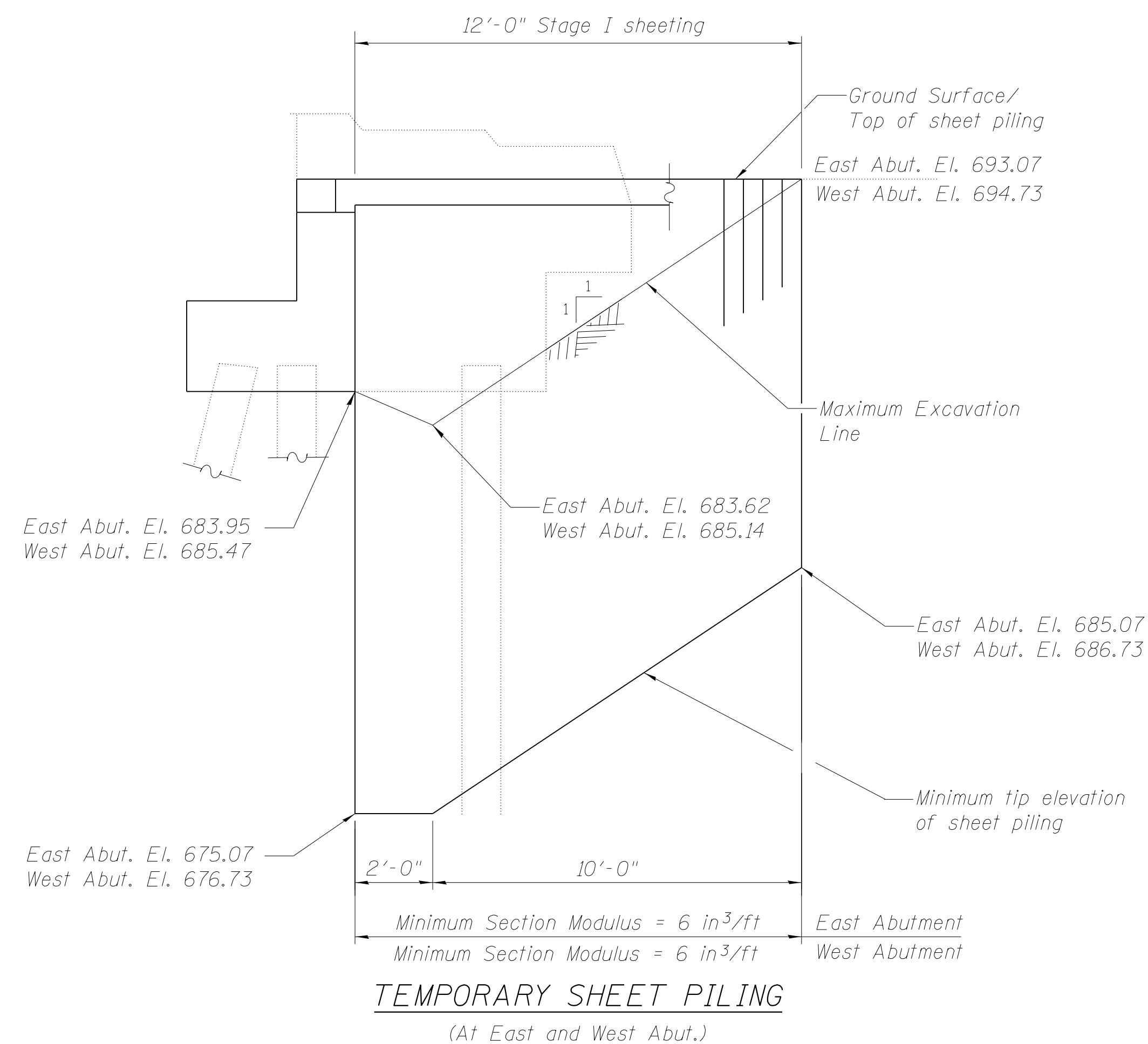
**STAGE I REMOVAL**  
North Structure (S.B.-Looking West)



**STAGE II CONSTRUCTION**



**STAGE I CONSTRUCTION**



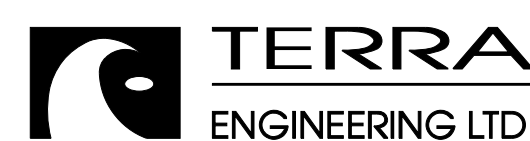
**STAGE II REMOVAL**

Notes:  
Hatched area indicates Removal of Existing Structures.  
For quantity of Temporary Concrete Barrier, see roadway plans.  
If the Contractor chooses to alter the temporary cantilevered sheet piling design requirements shown on the plans, a design submittal including plan details and calculations will be required for review and acceptance by the Engineer.  
See sheets S34, S42, S45, S56, S58, S60, and S62 for stage construction line and stage removal line in substructures.

**BILL OF MATERIAL**

ITEM	UNIT	TOTAL
Temporary Sheet Piling	Sq. Ft.	332

M:\1\_57\_DIVER CNRR & DILL 45\Drawings\CADD Drawings\Structural\Final Plans\SHS\0366942-006-Const Staging.dgn



USER NAME =	DESIGNED - EA	REVISED
	CHECKED - OY	REVISED
PLOT SCALE =	DRAWN - CM	REVISED
PLOT DATE	CHECKED - JB	REVISED

**STATE OF ILLINOIS  
DEPARTMENT OF TRANSPORTATION**

**SOUTHBOUND STAGE CONSTRUCTION DETAILS  
STRUCTURE NOS. 038 - 0013 & 0014**

SHEET NO. S06 OF S71 SHEETS

F.A.I. RTE.	SECTION	COUNTY	TOTAL SHEETS	SHEET NO.
57	38-2HVB, HVBR-1	IROQUOIS	146	45
			CONTRACT NO. 66942	
ILLINOIS FED. AID PROJECT				