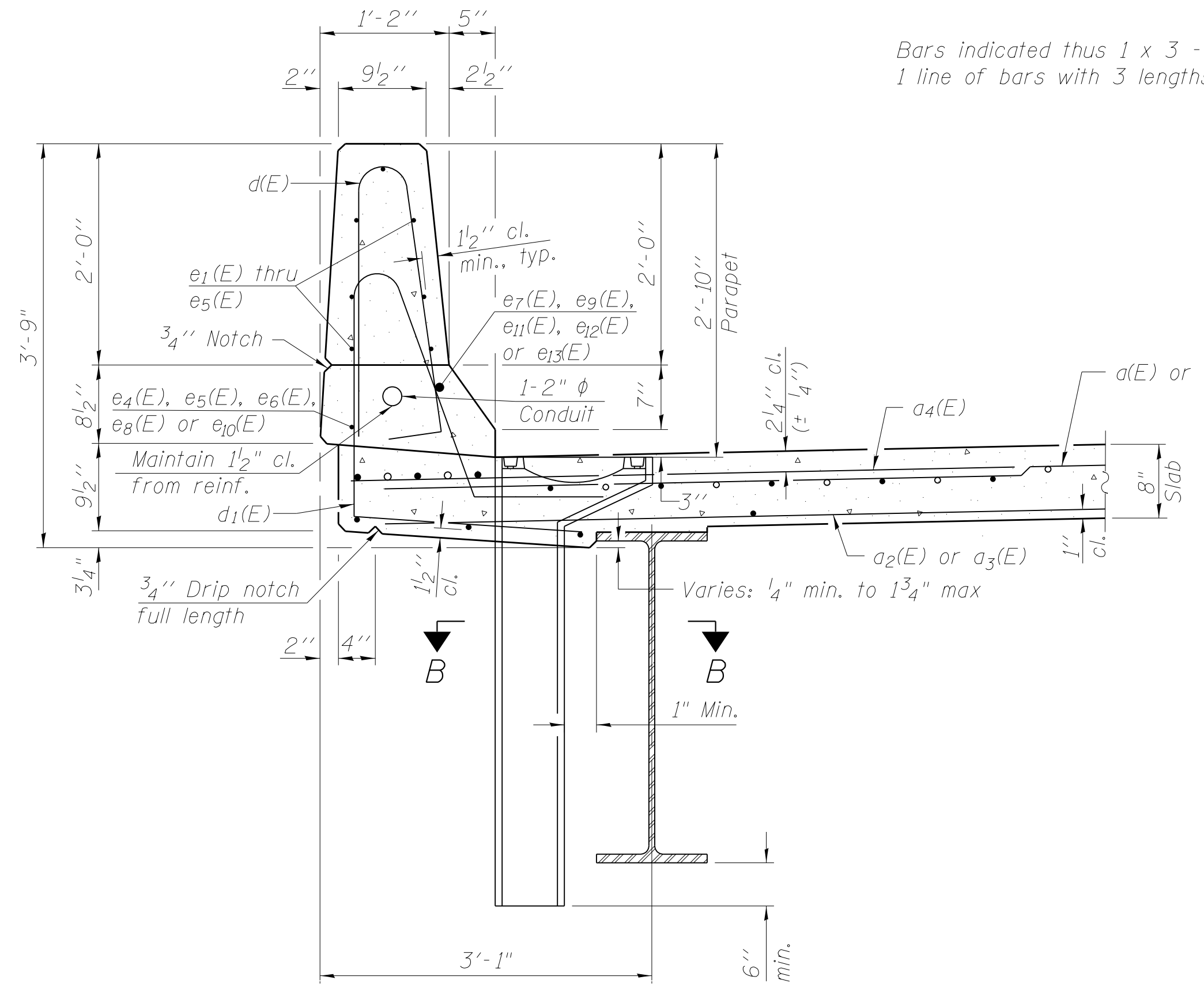


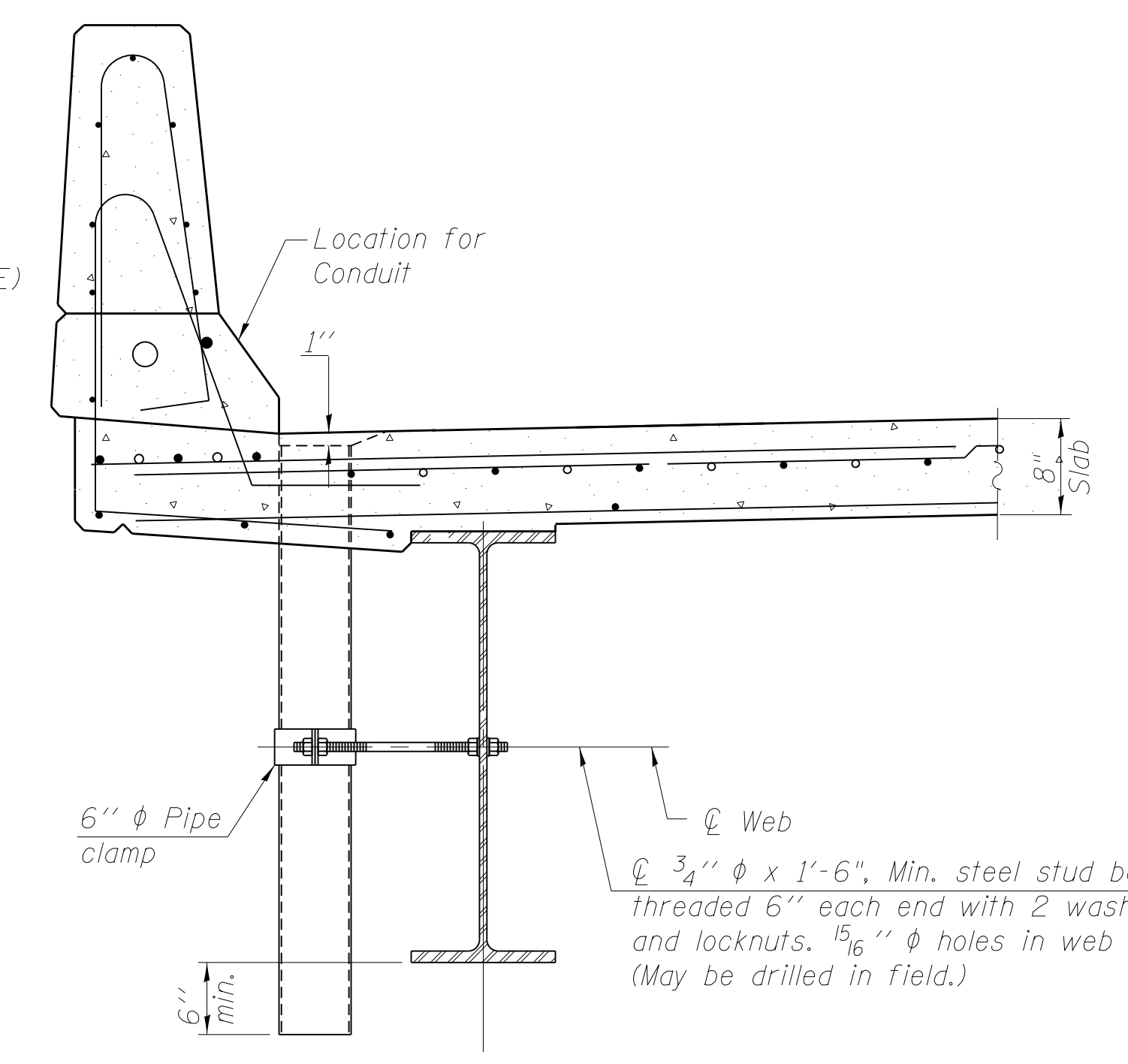
MINIMUM BAR LAP
 (Parapet)
 #4 bar = 2'-0"
 #8 bar = 5'-2"

Bars indicated thus 1 x 3 - #4 etc. indicates 1 line of bars with 3 lengths per line

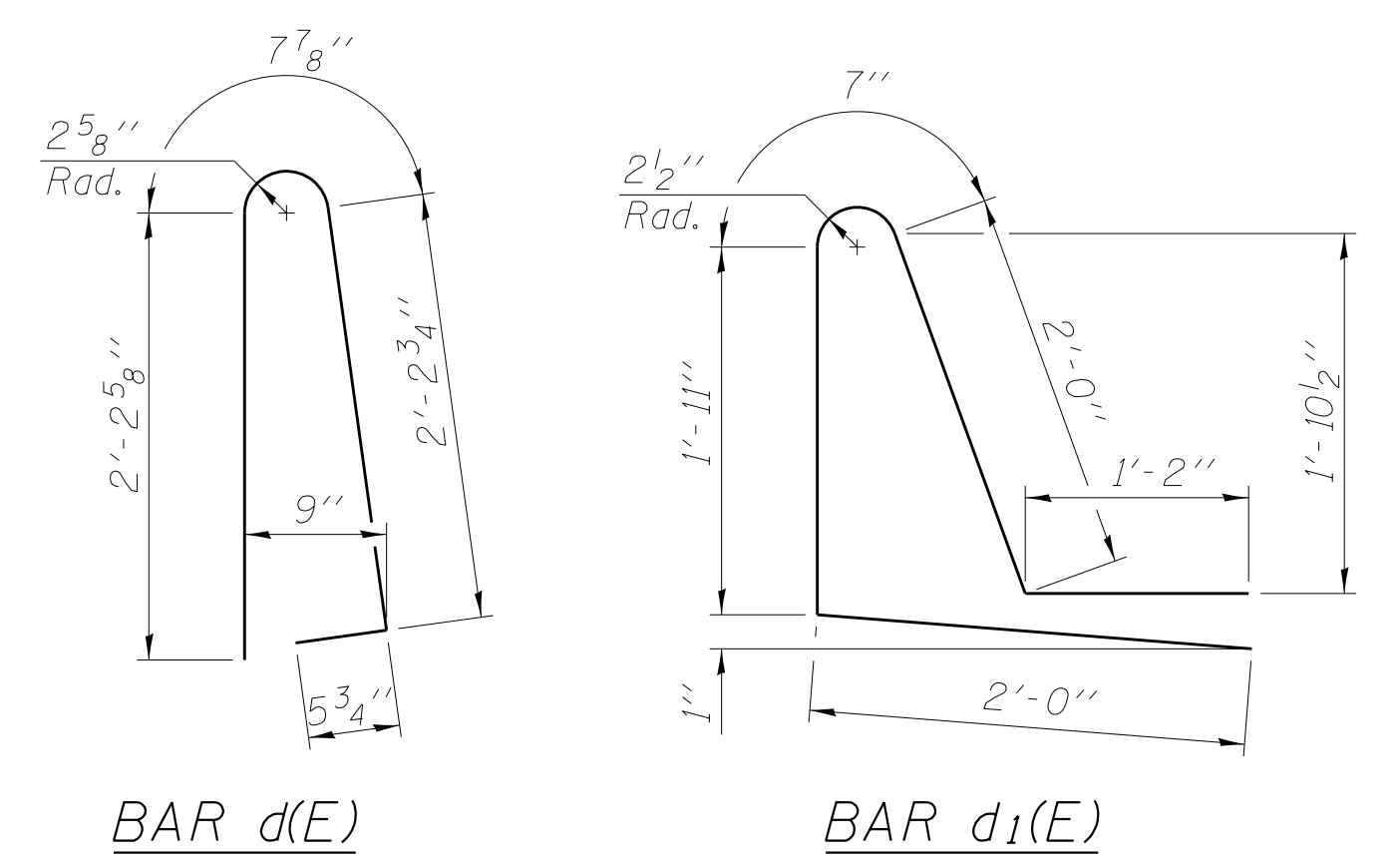
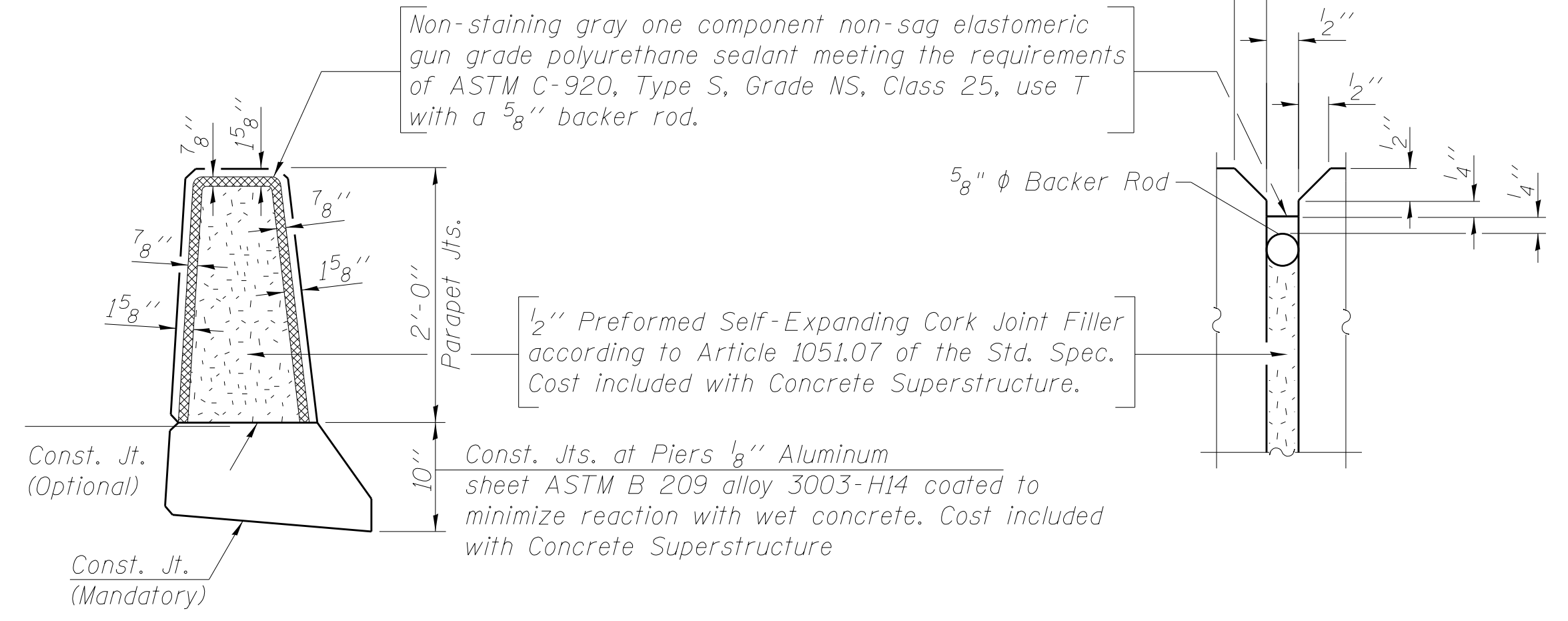
INSIDE ELEVATION OF PARAPET



SECTION THRU PARAPET



SECTION THRU PARAPET AT MIDSPAN SHOWING FLOOR DRAINS



BAR d(E)

BAR d1(E)

M:\157_DRAWING\CNR & OLLI 45\Drawings\Structural\Final Plans\SHS\0366942-022-super_details.dgn

S-I-D
 7-1-10

USER NAME =	DESIGNED - EA	REVISED
PLOT SCALE =	CHECKED - OY	REVISED
PLOT DATE	DRAWN - CM	REVISED
	CHECKED - JB	REVISED

**STATE OF ILLINOIS
 DEPARTMENT OF TRANSPORTATION**

**SUPERSTRUCTURE DETAILS
 STRUCTURE NOS. 038 - 0013 & 0014**

F.A.I. RTE.	SECTION	COUNTY	TOTAL SHEETS	SHEET NO.
57	38-2HWB, HVBR-1	IROQUOIS	146	61
CONTRACT NO. 66942				

SHEET NO. S22 OF S71 SHEETS

ILLINOIS FED. AID PROJECT