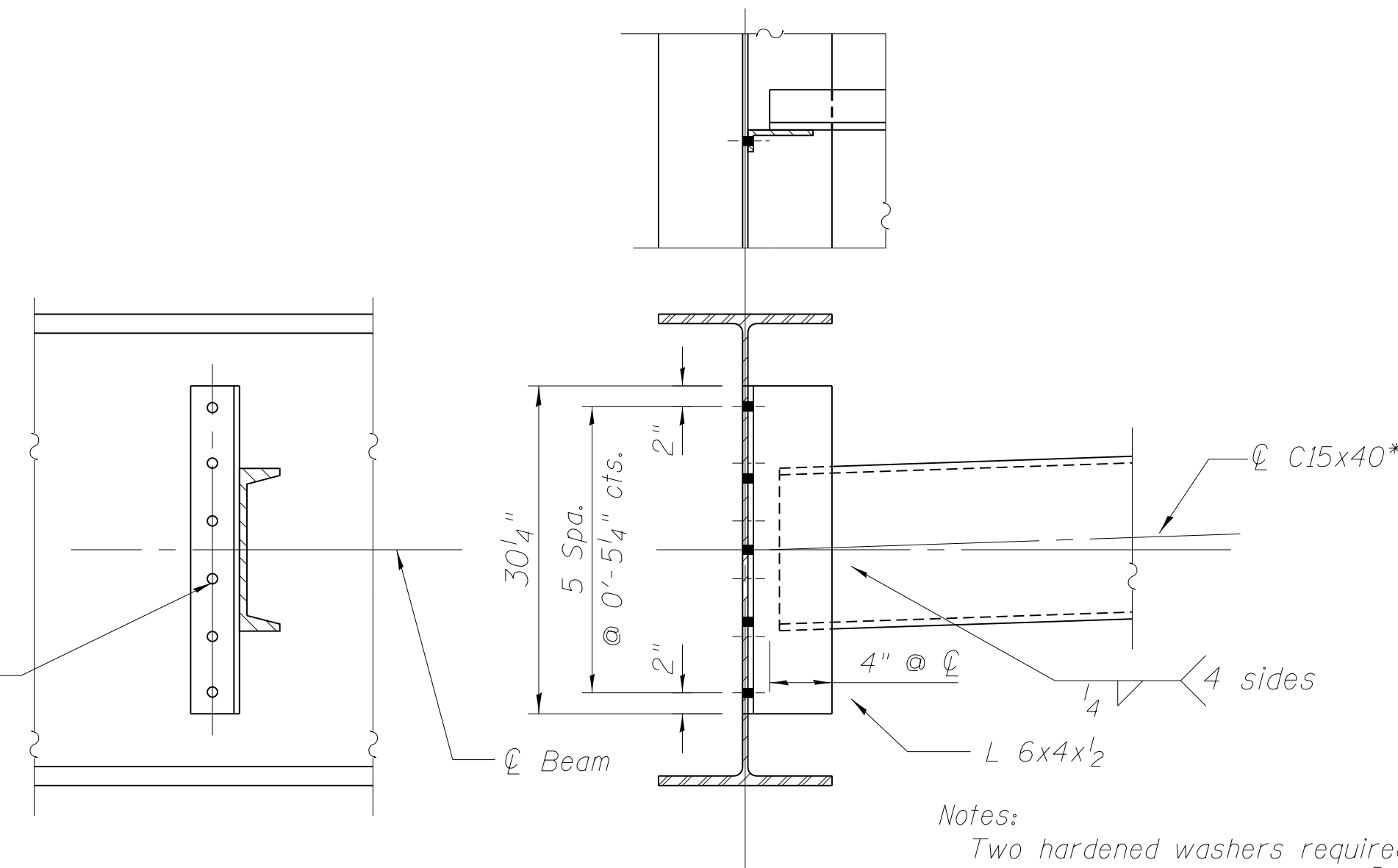


SECTION A-A

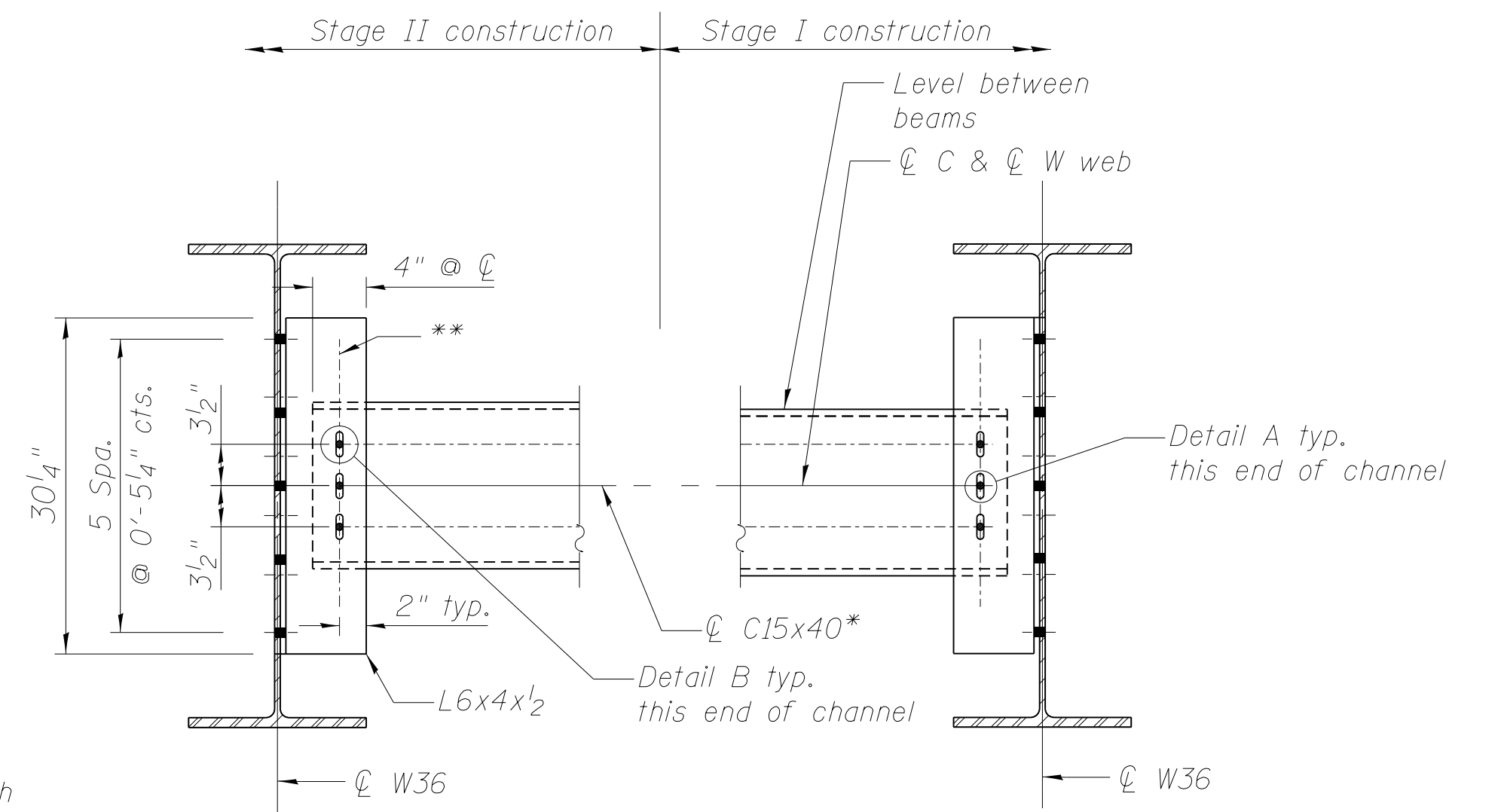
3/4" φ Granular or solid flux filled headed studs automatically end welded to flange. (10,710 Required N.B. Bridge) (10,710 Required S.B. Bridge)

3/4" φ H.S. bolts
15/16" φ holes (typ)



INTERIOR DIAPHRAGM D

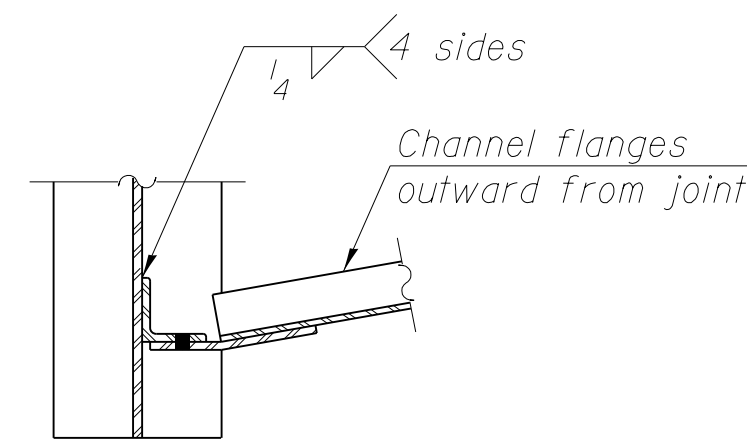
180 Required



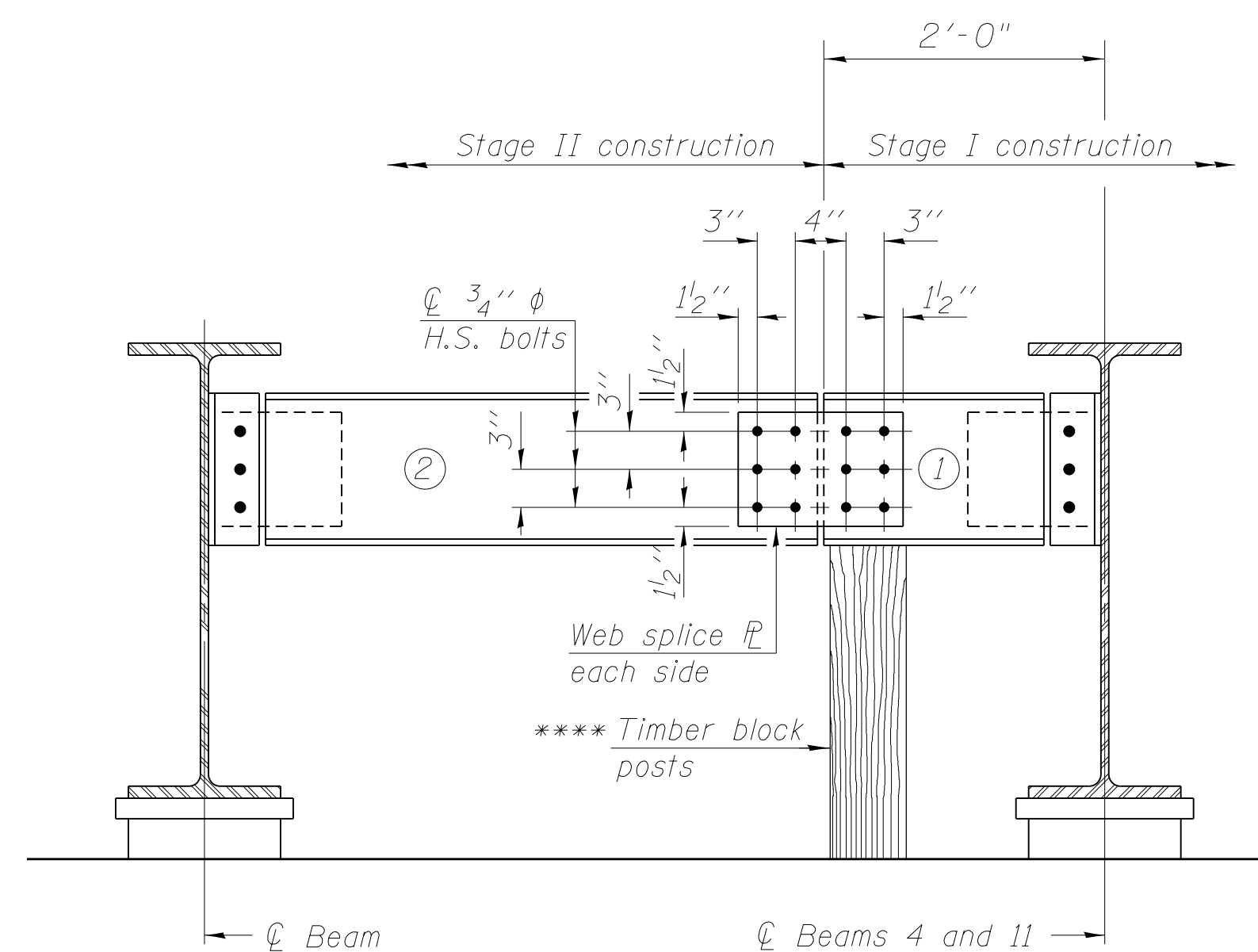
INTERIOR DIAPHRAGM D3

36 Required

Notes:
Two hardened washers required for each set of oversized holes. Two 5/16"x3"x3" washers required for each set of slotted holes.
* C15x50 are permitted to facilitate material acquisition. Calculated weight of structural steel is based on C15x40.
The C15x50, if utilized, shall be provided at no extra cost to the Department.
** 3/4" φ HS bolts, 15/16" φ holes.
*** Bolts in slots shall be finger tight until Stage II concrete deck pour is complete. Install bolts near top of lower slot at fit-up.
**** Cost of Timber Block Posts is included with Structural Steel.



SECTION B-B

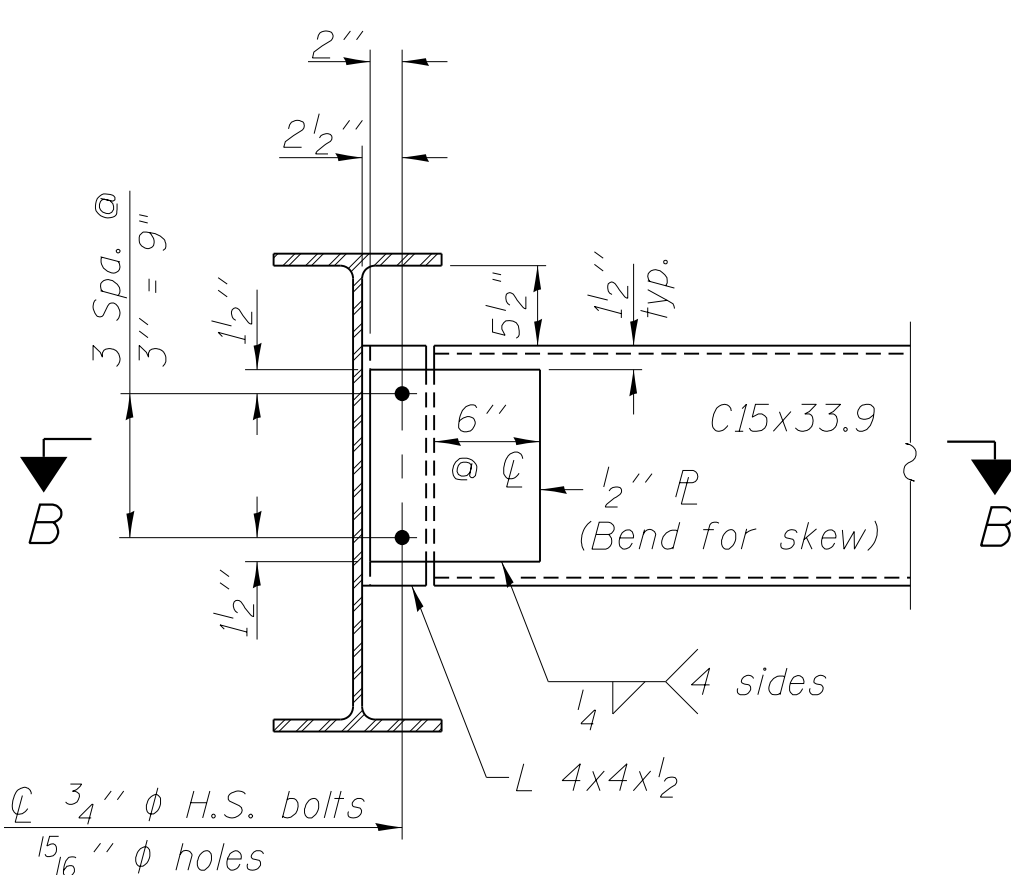


END DIAPHRAGM D2

4 Required

END DIAPHRAGM STAGE CONSTRUCTION SEQUENCE

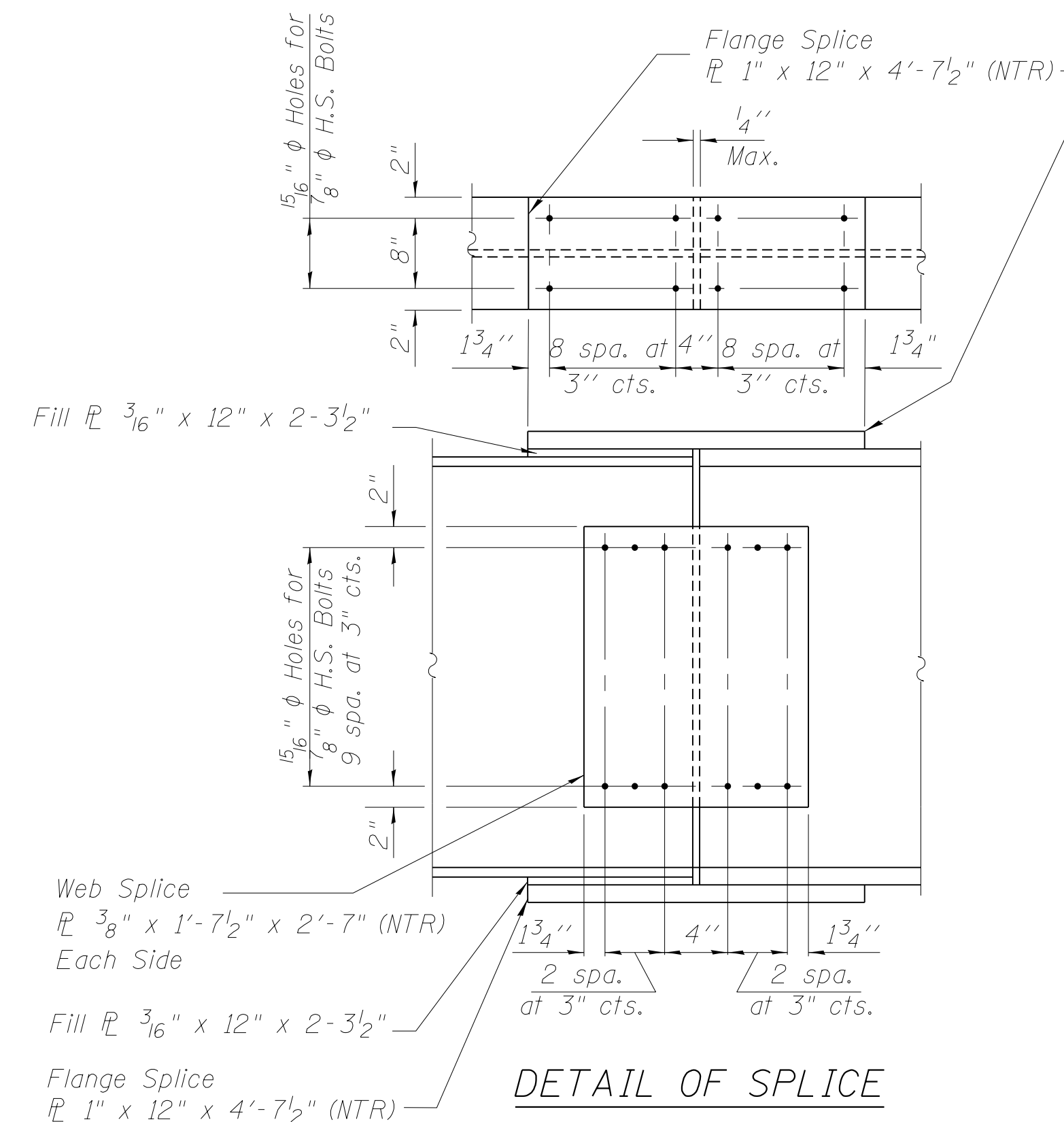
- 1.) Order diaphragm in two sections.
- 2.) Attach section ① of diaphragm to beam
- 3.) Place timber block posts between section ① of diaphragm and abutment bearing section.
- 4.) Attach section ② of diaphragm to both beam and section ① of diaphragm during stage II construction with splice plates.
- 5.) Remove timber block posts.



END DIAPHRAGM D1

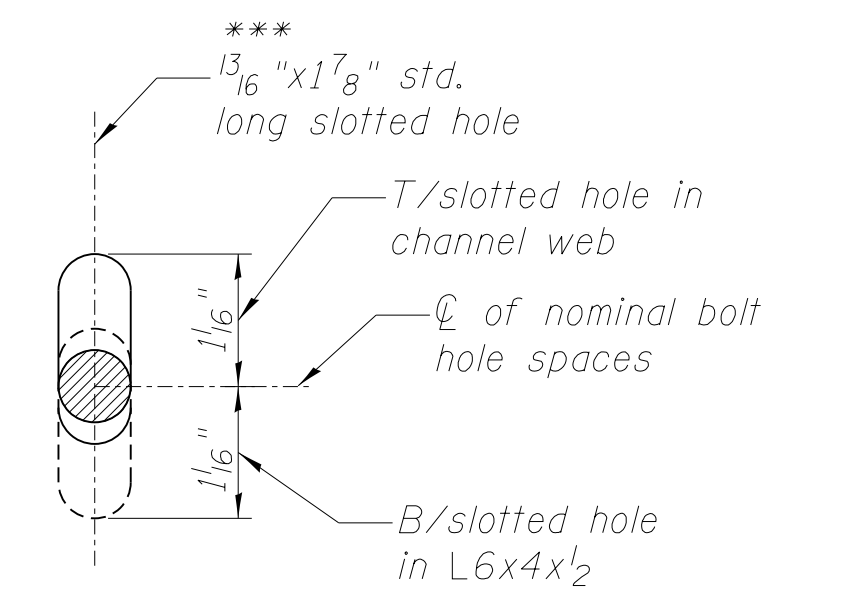
20 Required

Note:
Two hardened washers required for each set of oversized holes.

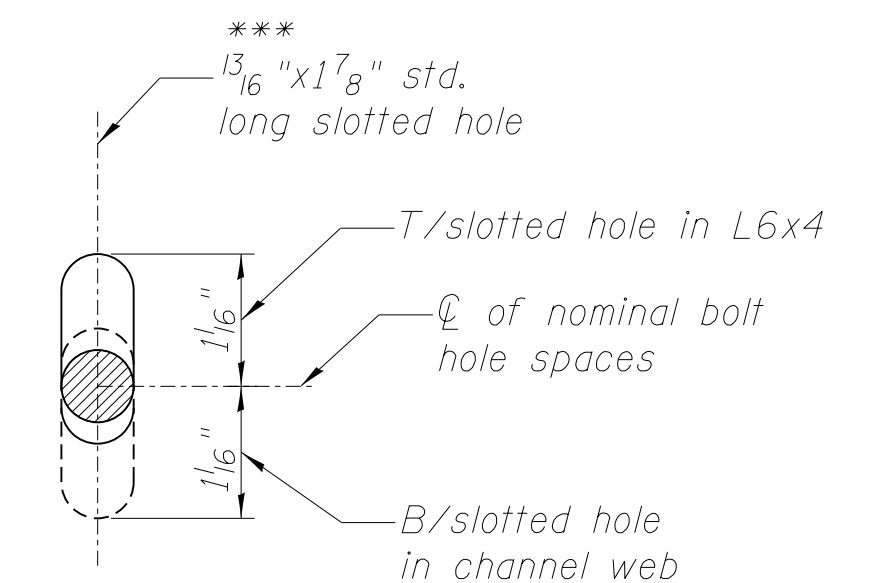


DETAIL OF SPLICE

Note:
Load carrying components designated "NTR" shall conform to the impact testing requirements, Zone 2.



DETAIL A



DETAIL B

M:\1_57_DRAWING\CNR & ILLI 45\0-DRAWING\CADD Drawings\Structural\Final Plans\SHS\0366942-030-steel_details.dgn



USER NAME =	DESIGNED - EA	REVISED
	CHECKED - OY	REVISED
PLOT SCALE =	DRAWN - CM	REVISED
PLOT DATE	CHECKED - JB	REVISED

STATE OF ILLINOIS
DEPARTMENT OF TRANSPORTATION

STEEL DETAILS
STRUCTURE NOS. 038 - 0013 & 0014

SHEET NO. S30 OF S71 SHEETS

F.A.I. RTE.	SECTION	COUNTY	TOTAL SHEETS	SHEET NO.
57	38-2HWB, HVBR-1	IROQUOIS	146	69
CONTRACT NO. 66942				

ILLINOIS FED. AID PROJECT