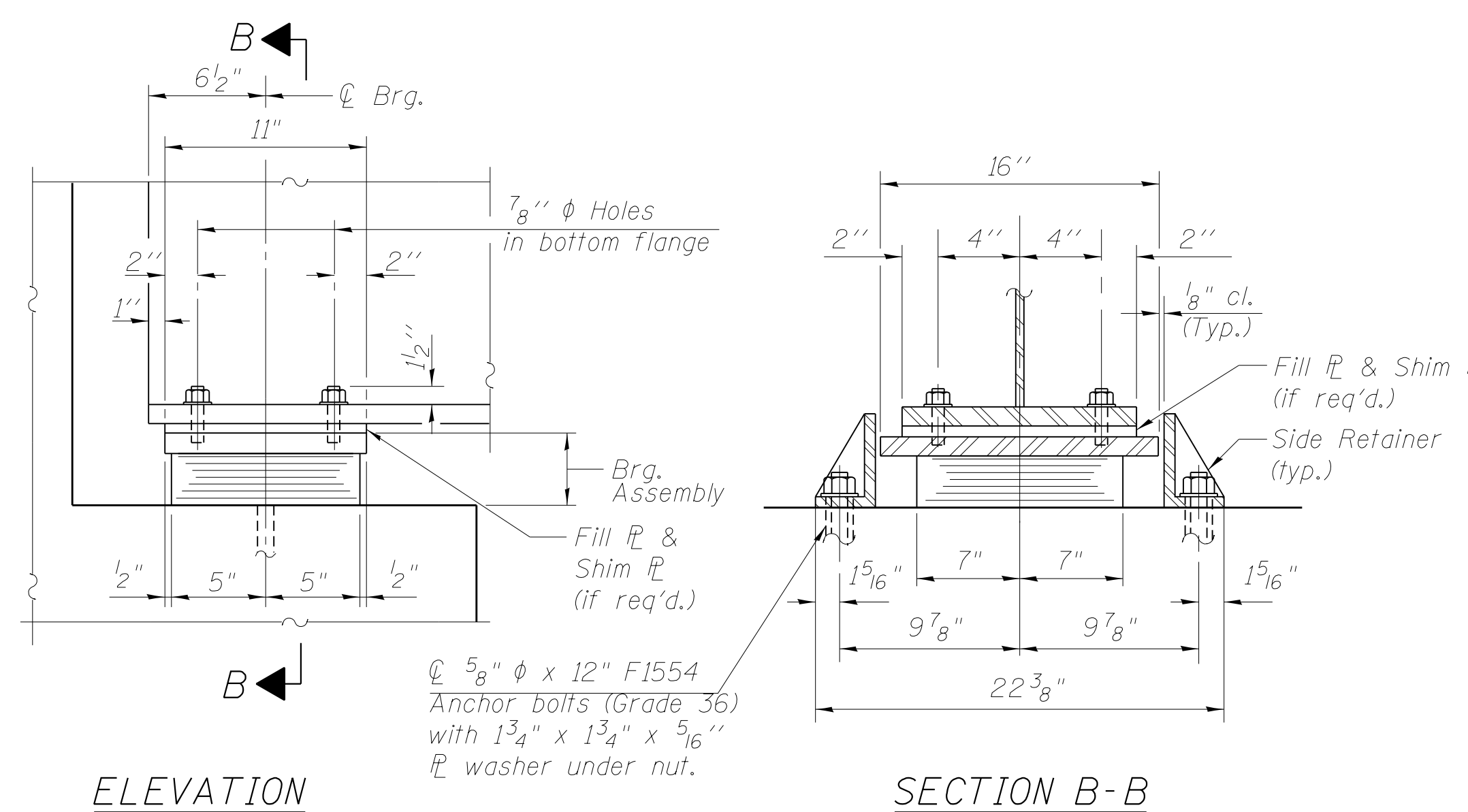
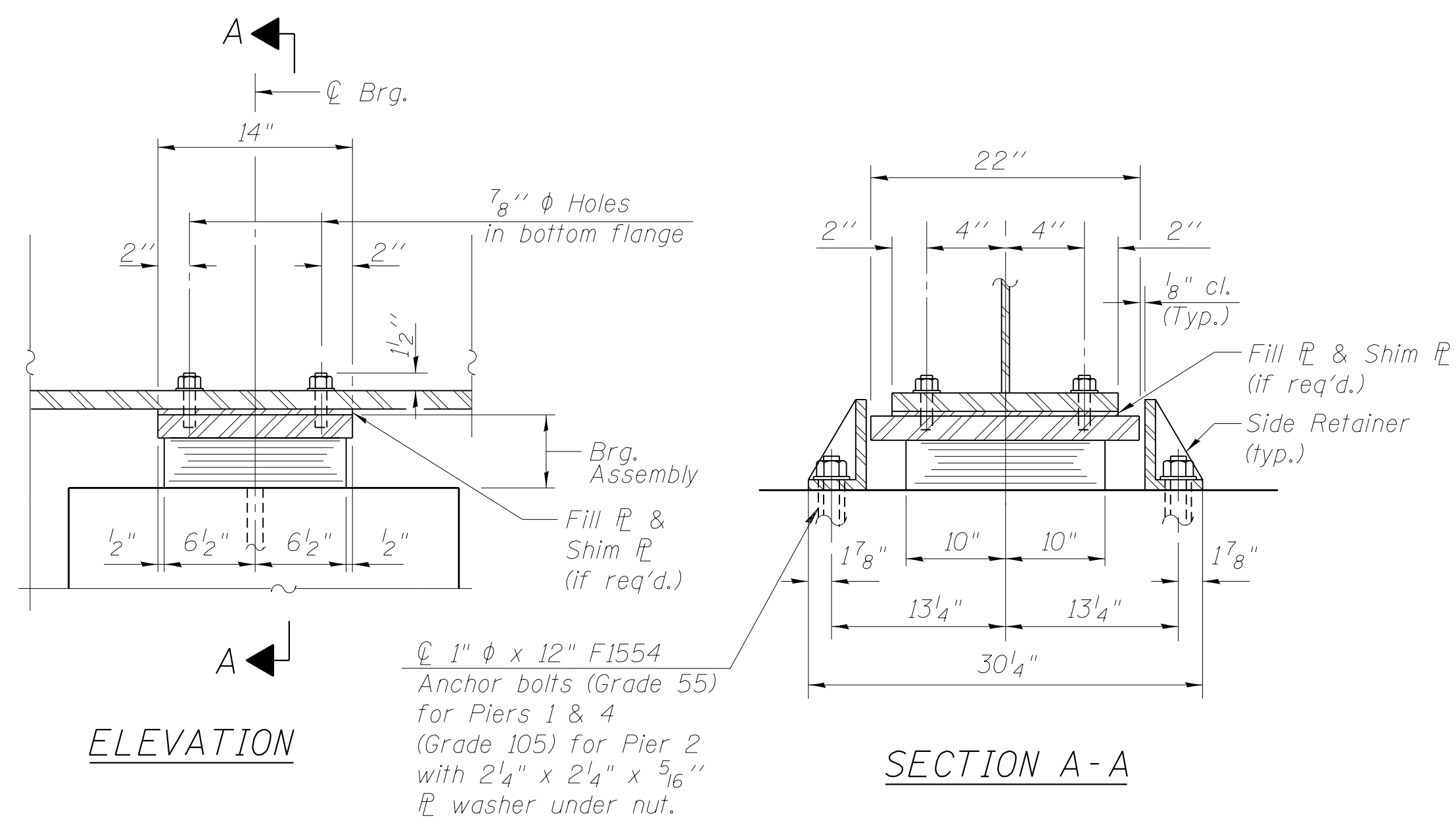


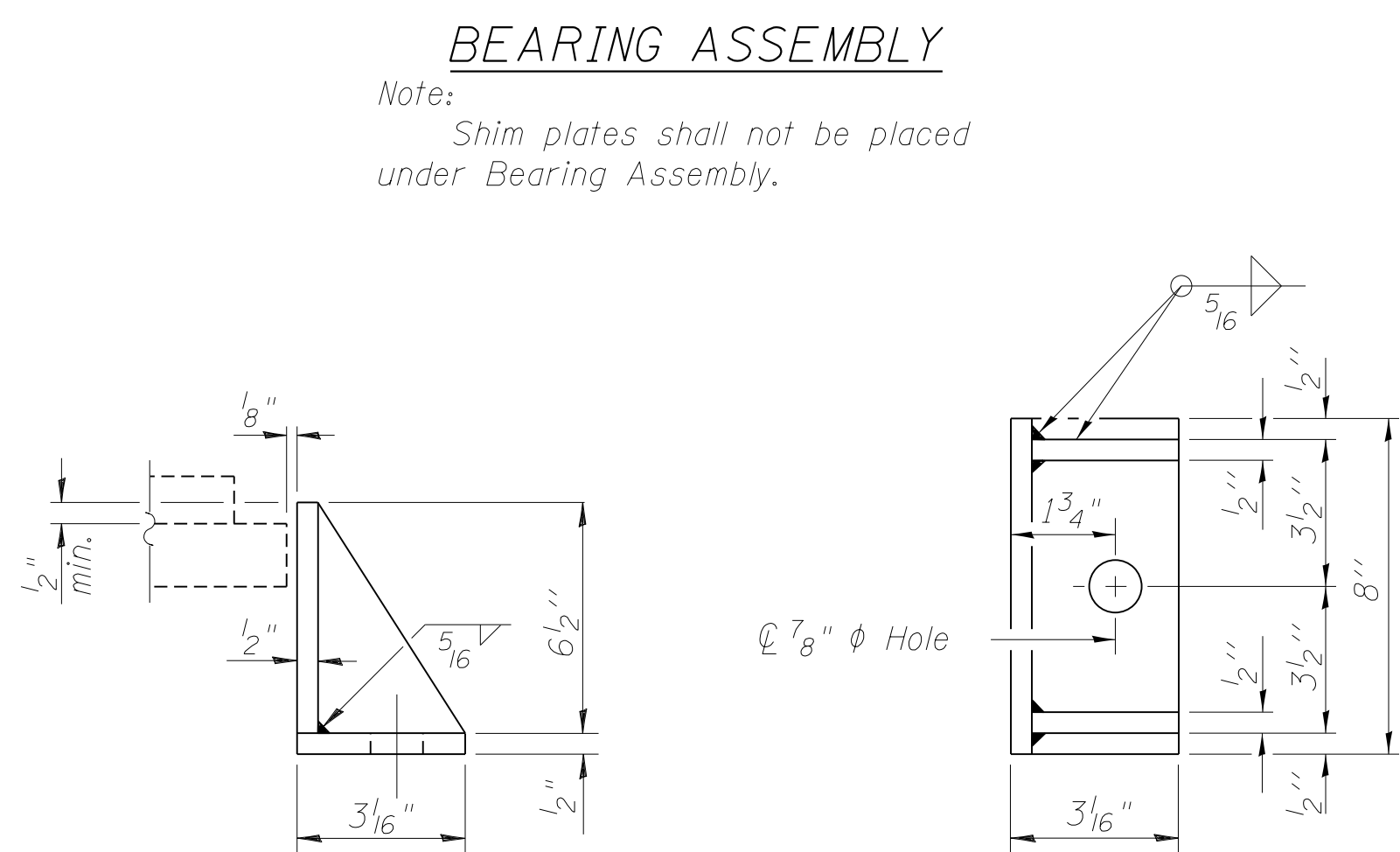
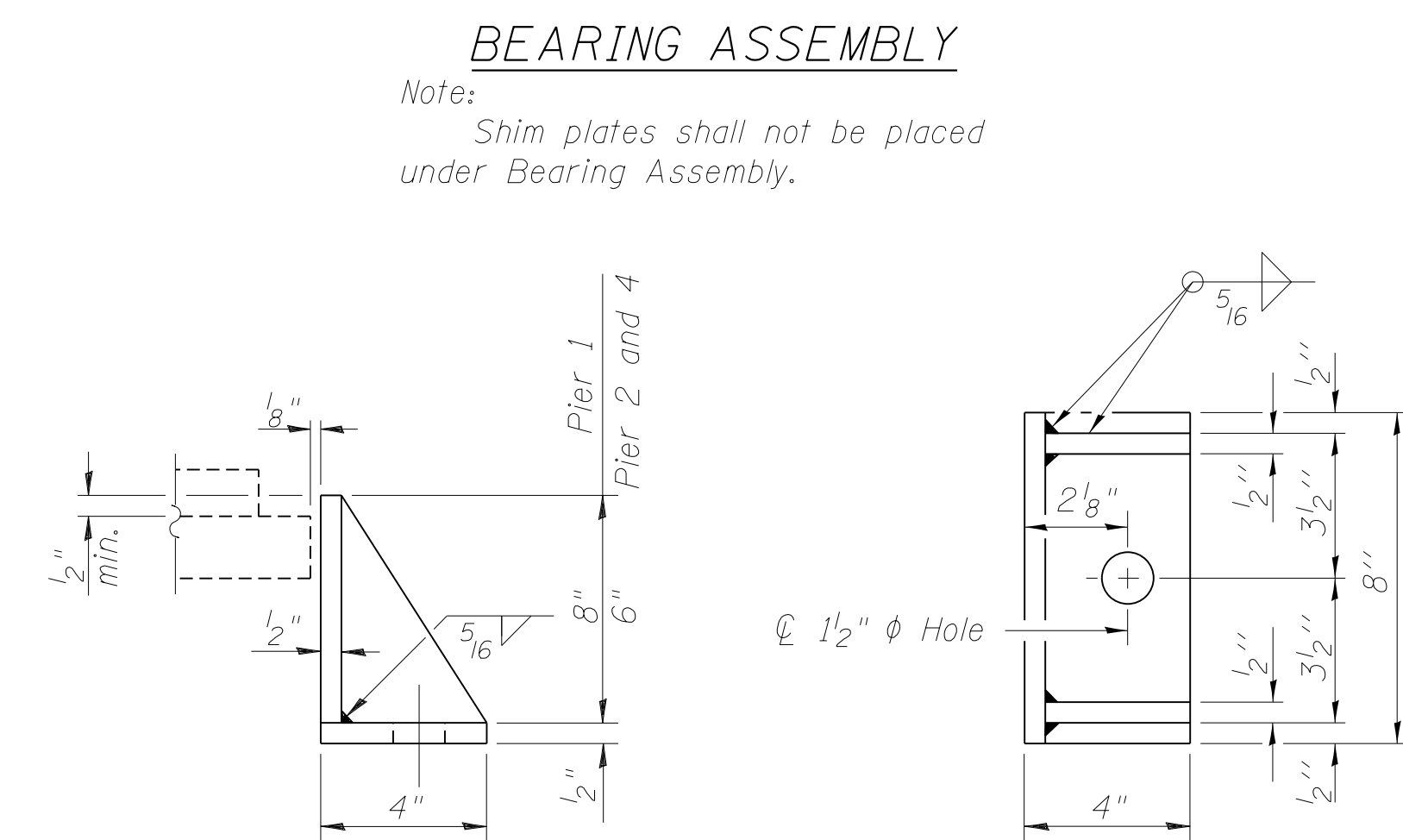
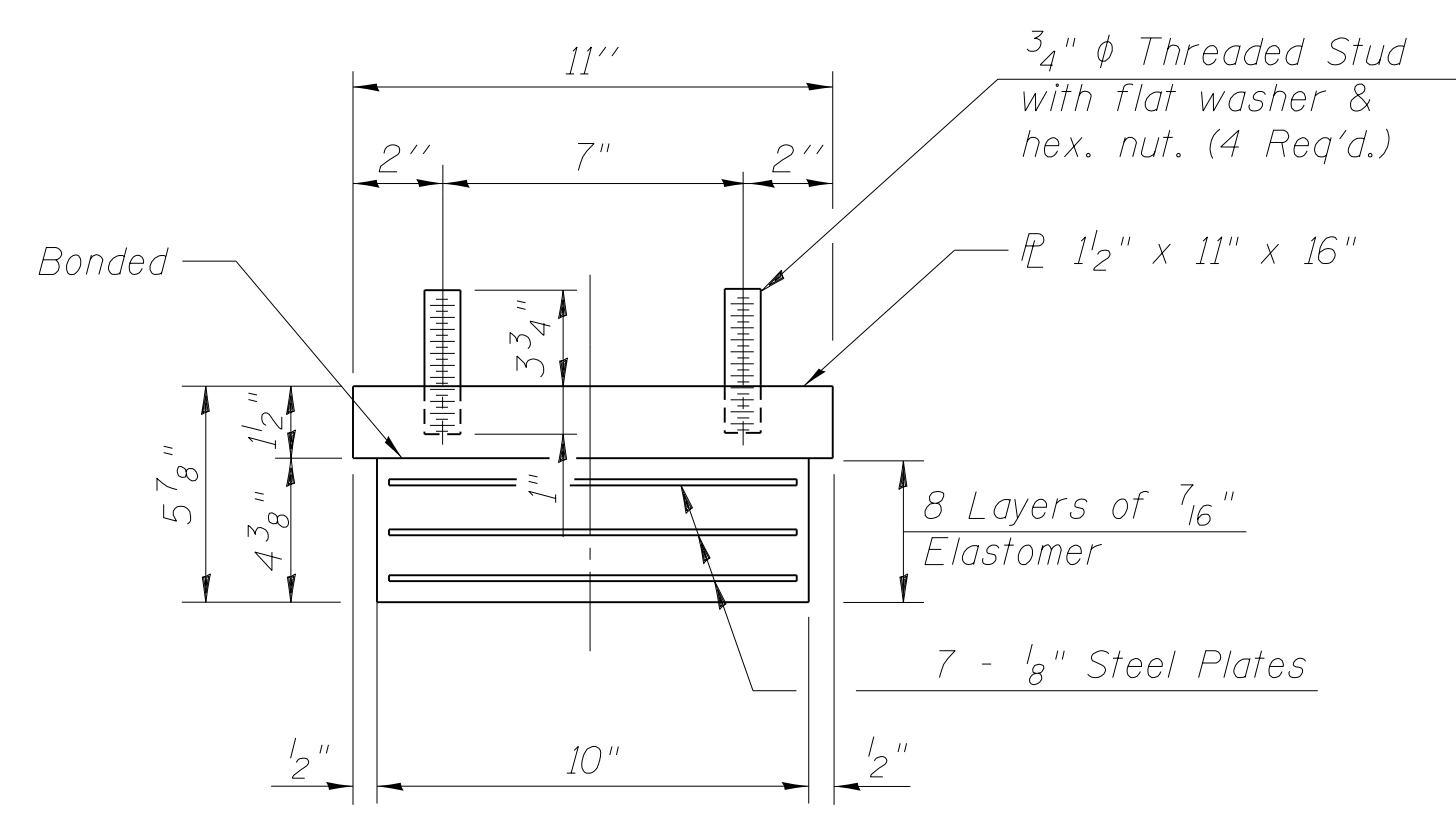
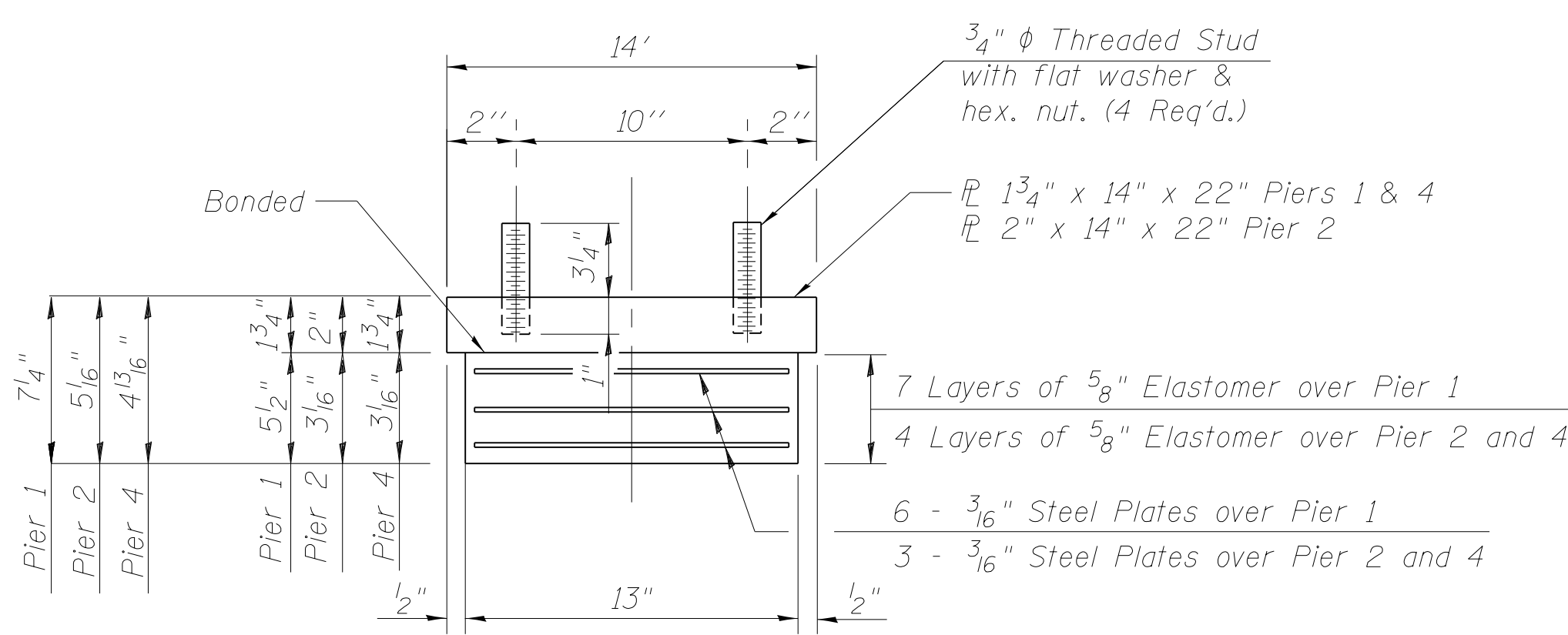
FILL PLATES

| Beam | E. Abut. | Pier 1 | Pier 2 | Pier 3 | Pier 4 | W. Abut. |
|------|----------|--------|--------|--------|--------|----------|
| 1 | | | | | | |
| 2 | | | | | | |
| 3 | 5/8" | | | | | |
| 4 | | | | 1/2" | 1/4" | 1/8" |
| 5 | | | | | | |
| 6 | | | | | | |
| 7 | | | | | | |
| 8 | | | | | | |
| 9 | | | | | | |
| 10 | 1/2" | 5/8" | | | | 1/2" |
| 11 | 1/8" | 3/8" | | 3/8" | 3/8" | 1" |
| 12 | | | | | | |
| 13 | | | | | | |
| 14 | | | | | | |



TYPE I ELASTOMERIC EXP. BRG. OVER PIER 1, 2, AND 4

TYPE I ELASTOMERIC EXP. BRG. OVER W. ABUTMENT

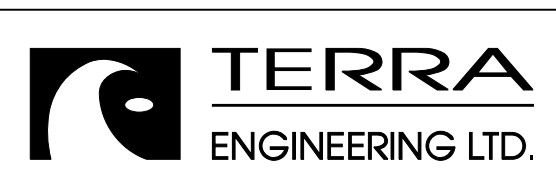


Notes:
 Anchor bolts shall be ASTM F1554 all-thread (or an Engineer-approved alternate material) of the grade(s) and diameter(s) specified. The corresponding specified grade of AASHTO M314 anchor bolts may be used in lieu of ASTM F1554.
 Anchor bolts for side retainers may be cast in place or installed in holes drilled before or after members are in place.
 Drilled and set anchor bolts shall be installed according to Article 521.06 of the Standard Specifications.
 Side retainers and other steel members required for the elastomeric bearing assembly shall be included in the cost of Elastomeric Bearing Assembly, Type I.
 The structural steel plates of the Bearing Assembly shall conform to the requirements of AASHTO M 270 Grade 50.
 Two 1/8 in. adjusting shims shall be provided for each bearing in addition to all other plates or shims and placed as shown on bearing details.

BILL OF MATERIAL

| Item | Unit | Total |
|-------------------------------------|------|-------|
| Elastomeric Bearing Assembly Type I | Each | 56 |
| Anchor Bolts, 5/8" | Each | 28 |
| Anchor Bolts, 1" | Each | 84 |

M:\1_57_OVER CNRR & OLD 45\0-revings\CADD Drawings\Structural\Final Plans\SHTS\0366942-032-bearing_details.dgn



| | | |
|--------------|---------------|---------|
| USER NAME = | DESIGNED - EA | REVISED |
| PLOT SCALE = | CHECKED - OY | REVISED |
| PLOT DATE | DRAWN - CM | REVISED |
| | CHECKED - JB | REVISED |

**STATE OF ILLINOIS
 DEPARTMENT OF TRANSPORTATION**

**BEARING DETAILS
 STRUCTURE NOS. 038 - 0013 & 0014**

| | | | | |
|---------------------------|-------------------------|-----------------|------------------|--------------|
| F.A.I. RTE. 57 | SECTION 38-2HWB, HVBR-1 | COUNTY IROQUOIS | TOTAL SHEETS 146 | SHEET NO. 71 |
| CONTRACT NO. 66942 | | | | |
| ILLINOIS FED. AID PROJECT | | | | |

SHEET NO. S32 OF S71 SHEETS