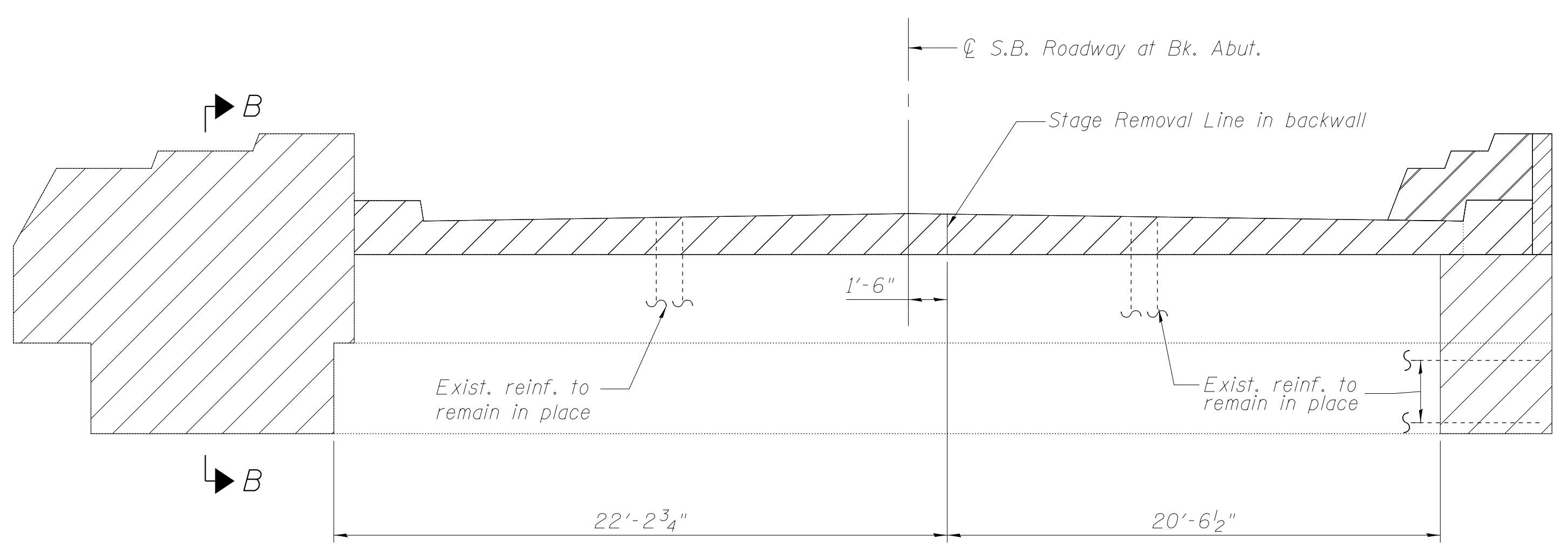
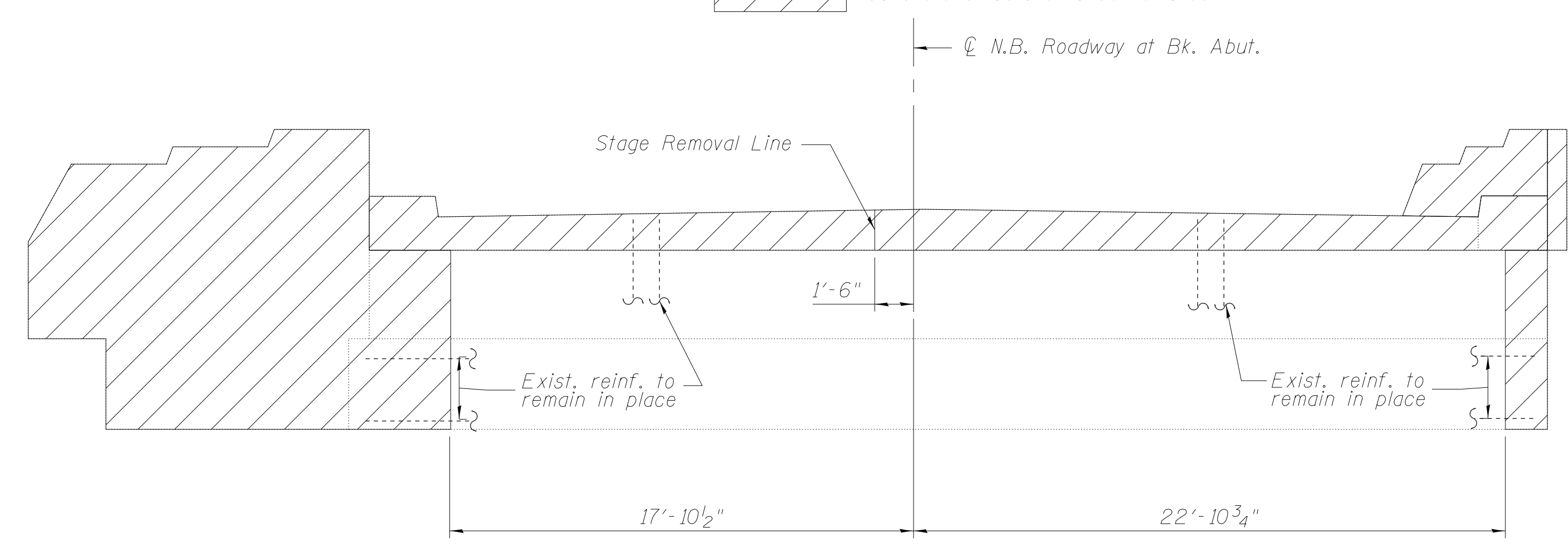


TOP VIEW
(East Abut. S.B., West Abut. N.B. similar)
(East Abut. N.B., West Abut. S.B. similar)

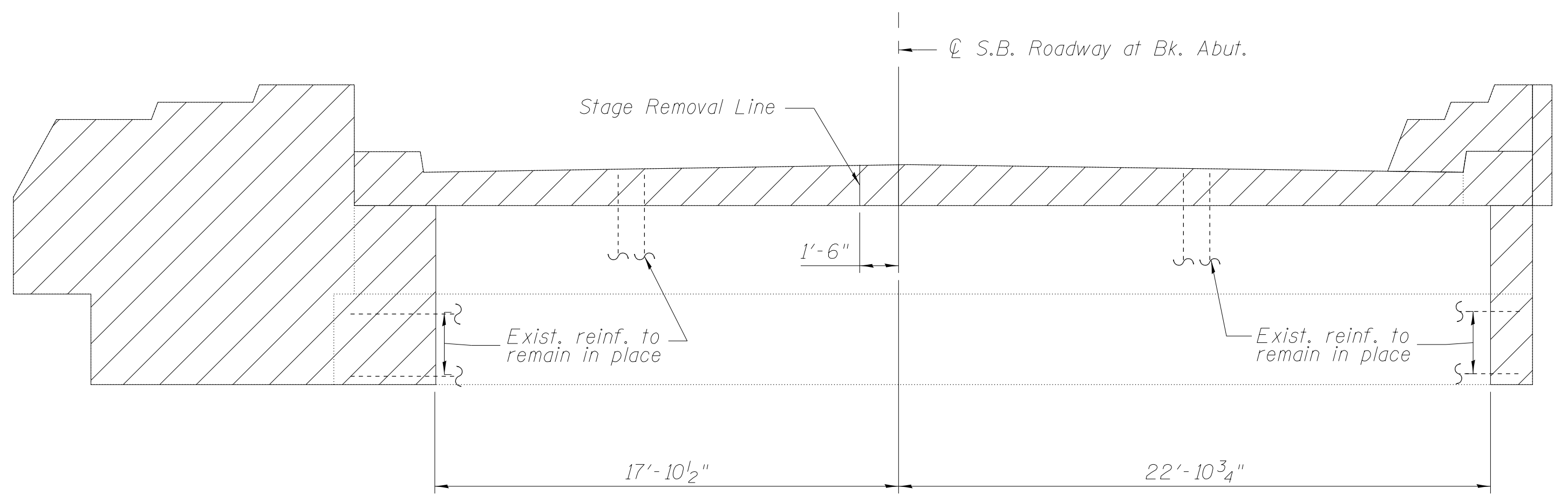
E. Abut. SB	0'-0"	E. Abut. SB	4'-3 ⁷ / ₈ "
W. Abut. SB	4'-3 ⁷ / ₈ "	W. Abut. SB	1'-11 ⁵ / ₈ "
E. Abut. NB	4'-3 ⁷ / ₈ "	E. Abut. NB	1'-11 ⁷ / ₈ "
W. Abut. NB	0'-0"	W. Abut. NB	4'-3 ⁷ / ₈ "



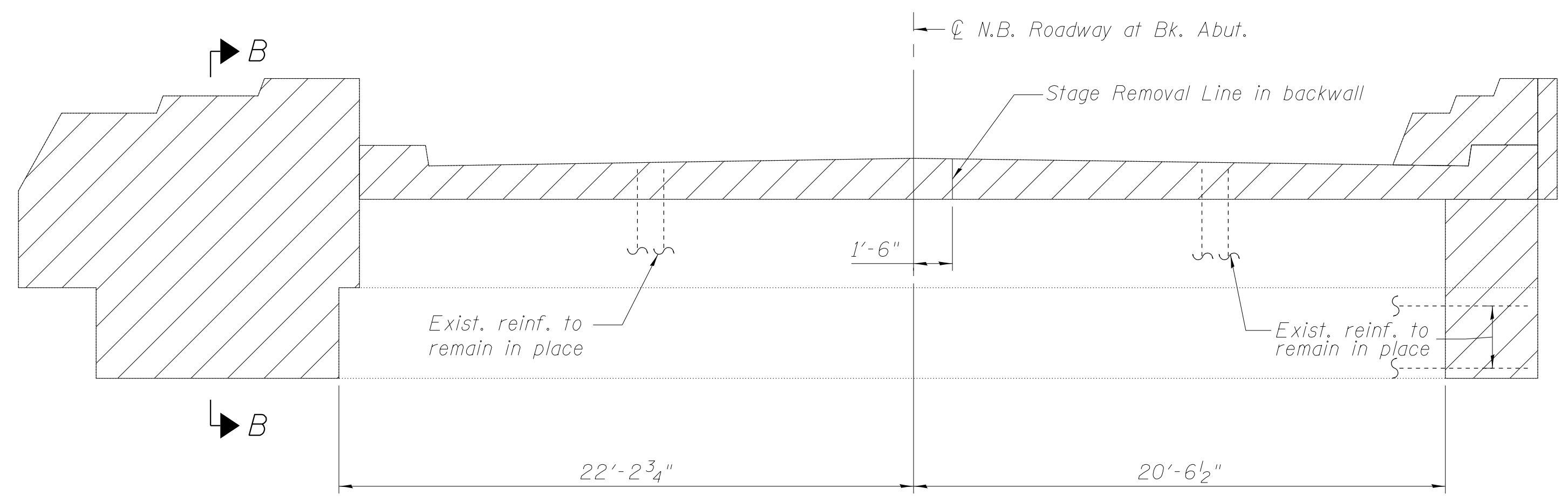
ELEVATION
(East Abutment S.B.)
(Looking East)



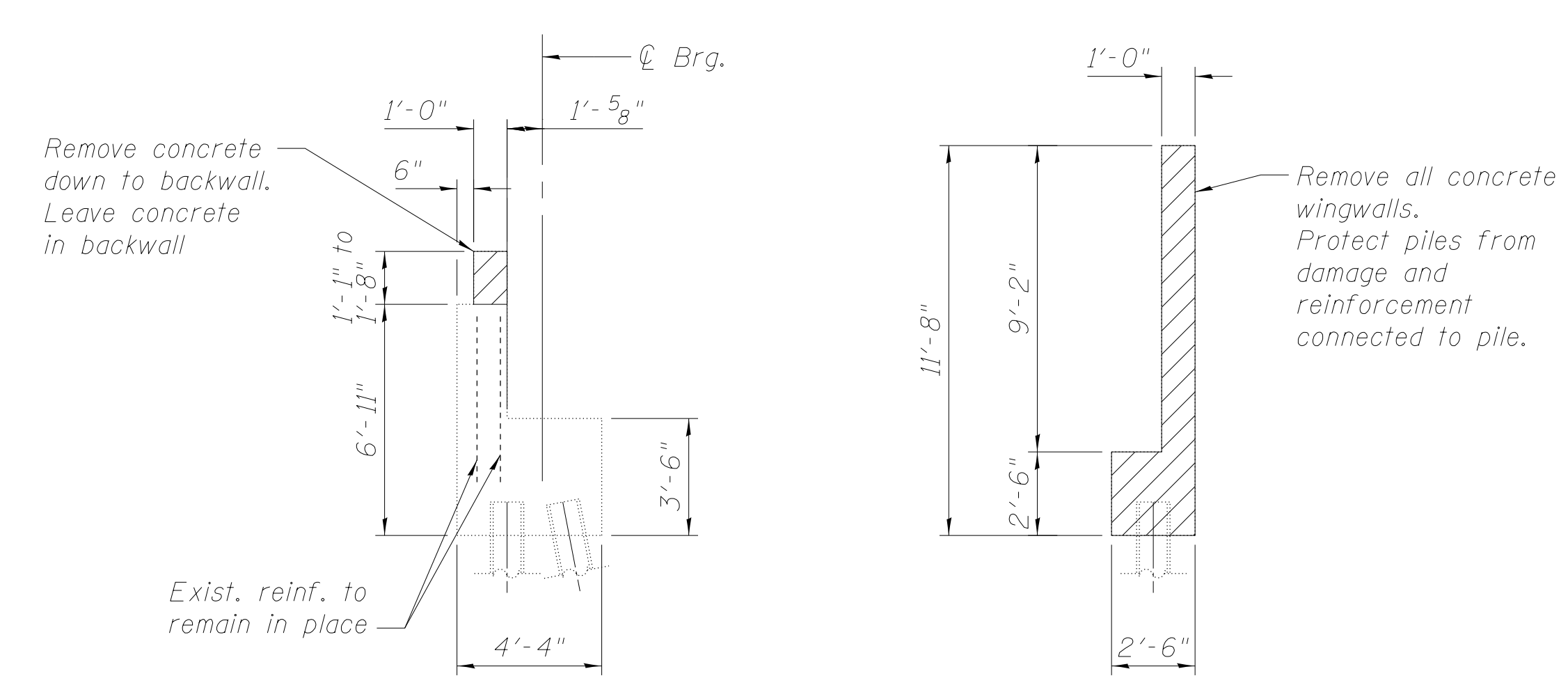
ELEVATION
(East Abutment N.B.)
(Looking East)



ELEVATION
(West Abutment S.B.)
(Looking West)



ELEVATION
(West Abutment N.B.)
(Looking West)



BILL OF MATERIAL

ITEM	UNIT	QUANTITY
Concrete Removal	Cu. Yd.	63.9

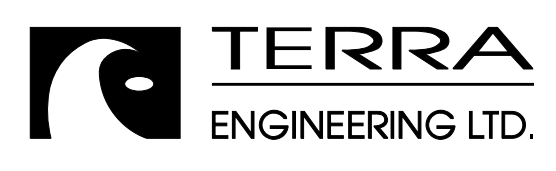
SECTION A-A

SECTION B-B

LEGEND:

Concrete structure to be removed

M:\1_57_OVER_CNRR & OLD_45\Drawings\Structural\Final Plans\SHTS\0366942-034-removal-abutment.dgn



USER NAME =	DESIGNED - EA	REVISED
PLOT SCALE =	CHECKED - OY	REVISED
PLOT DATE	DRAWN - CM	REVISED
	CHECKED - JB	REVISED

STATE OF ILLINOIS
DEPARTMENT OF TRANSPORTATION

ABUTMENTS DEMOLITION/REMOVAL
STRUCTURE NOS. 038 - 0013 & 0014

SHEET NO. 534 OF 571 SHEETS

F.A.I. RTE.	SECTION	COUNTY	TOTAL SHEETS	SHEET NO.
57	38-2HVB, HVBR-1	IROQUOIS	146	73
CONTRACT NO. 66942				
ILLINOIS FED. AID PROJECT				