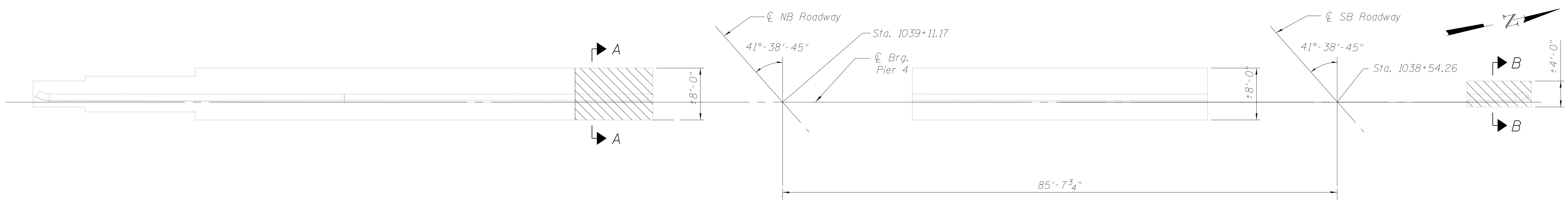
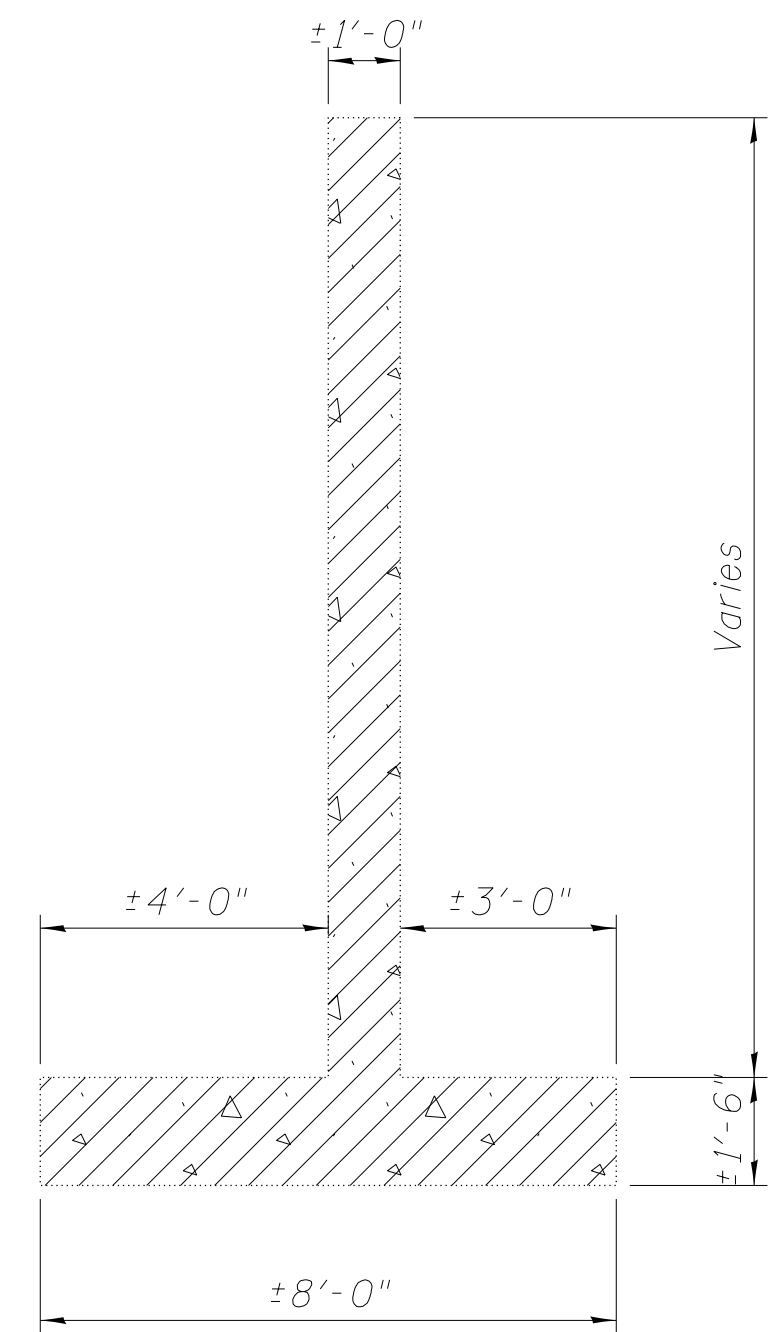


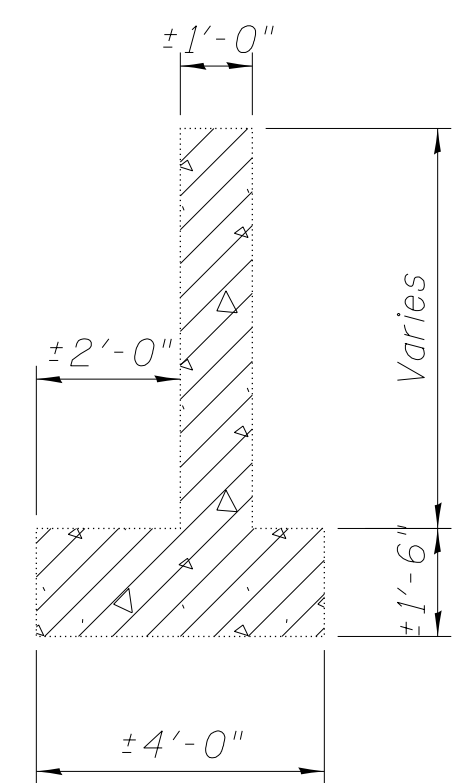
ELEVATION



PLAN
(@ Pier 4)



SECTION A-A



SECTION B-B

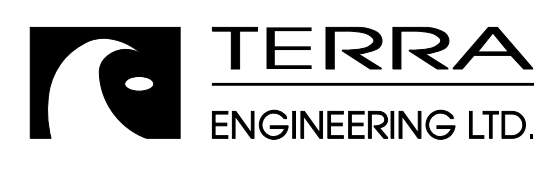
LEGEND:



BILL OF MATERIAL

Item	Unit	Total
Concrete Removal	Cu. Yd.	15.0

M:\1_57_DRAWING\CINRR & OLD 45\Drawings\CA00D Drawings\Structural\Final Plans\SHTS\0366942-035-removal-retaining wall.dgn



USER NAME =	DESIGNED - EA	REVISED
	CHECKED - OY	REVISED
PLOT SCALE =	DRAWN - CM	REVISED
PLOT DATE	CHECKED - JB	REVISED

STATE OF ILLINOIS
DEPARTMENT OF TRANSPORTATION

RETAINING WALLS DEMOLITION/REMOVAL
STRUCTURE NOS. 038 - 0013 & 0014

SHEET NO. S35 OF S71 SHEETS

F.A.I. RTE.	SECTION	COUNTY	TOTAL SHEETS	SHEET NO.
57	38-2HVB, HVBR-1	IROQUOIS	146	74
				CONTRACT NO. 66942
ILLINOIS FED. AID PROJECT				