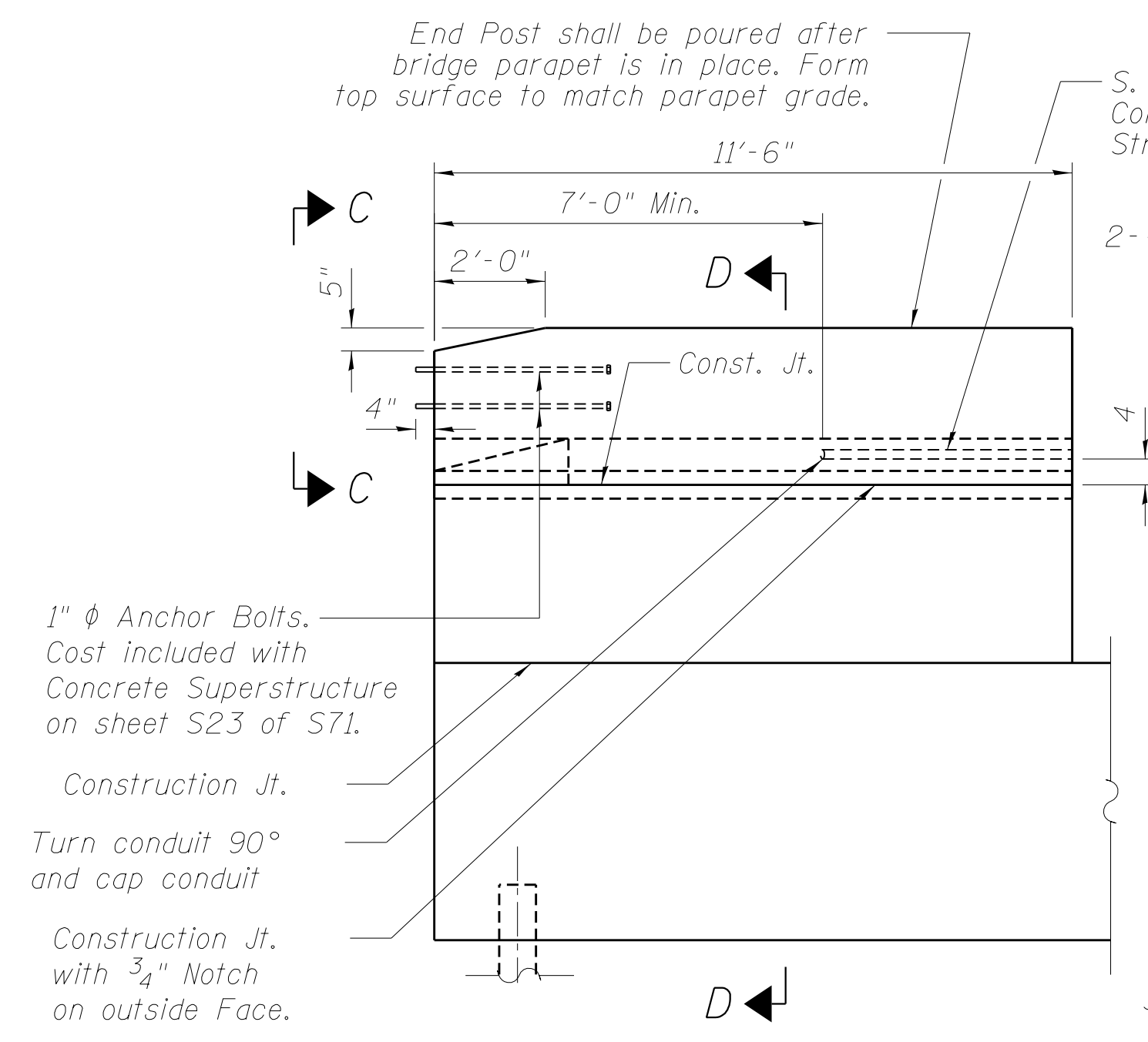
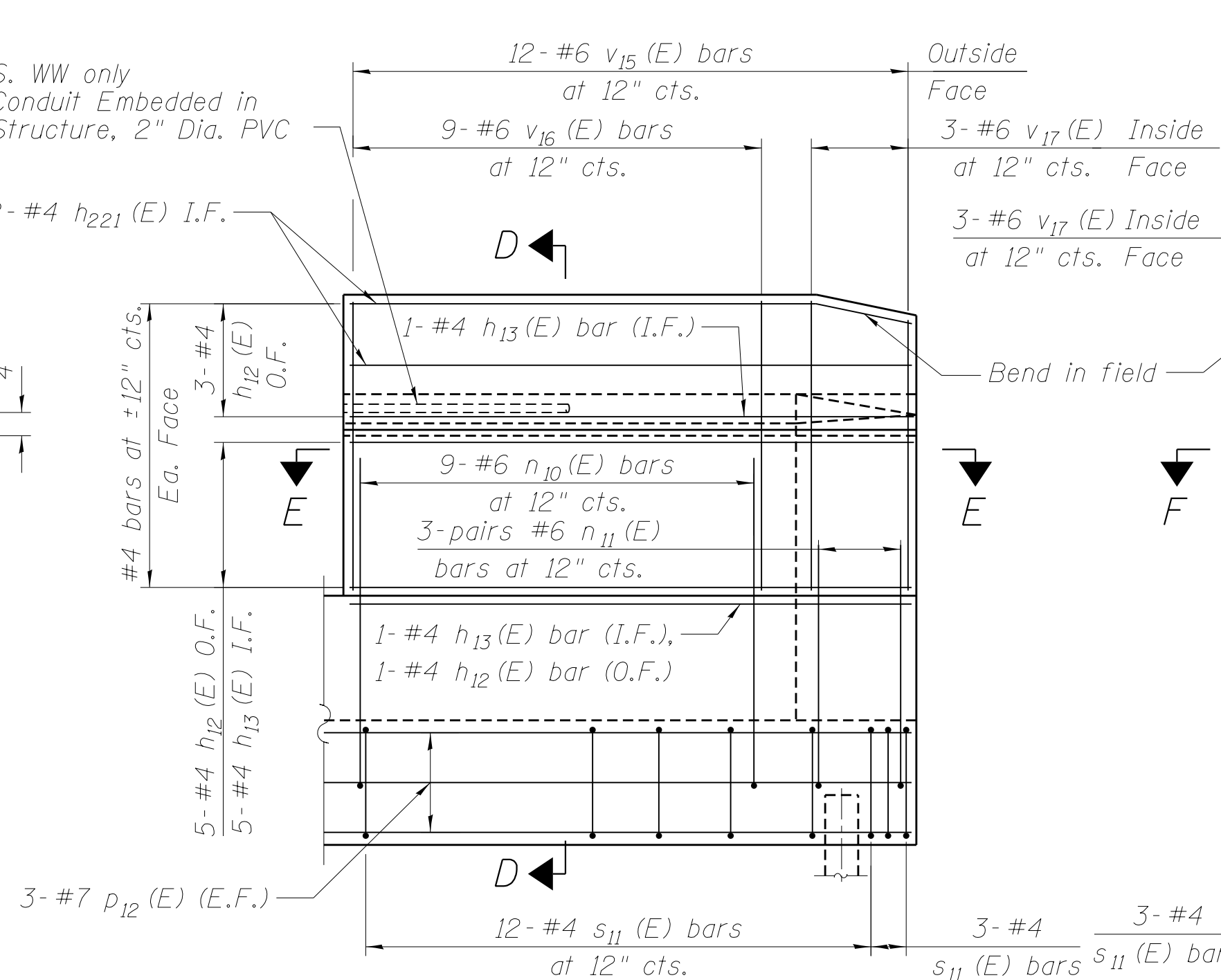


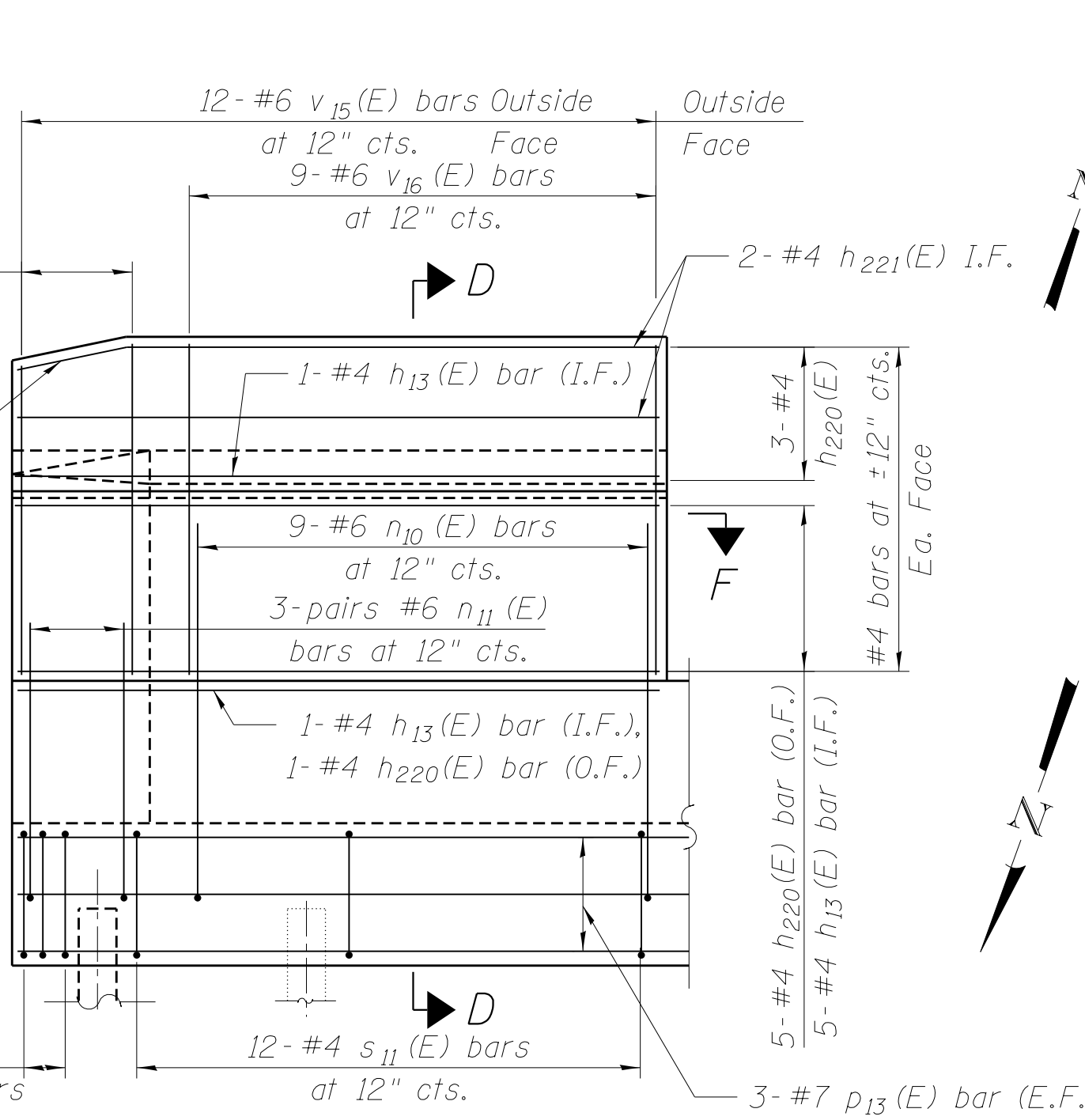
M:\157_OVERVIEW\CNR & OLD 45\Drawings\Structural\Final Plans\SHTS\0366942-038-E-Abutment-NB.dgn



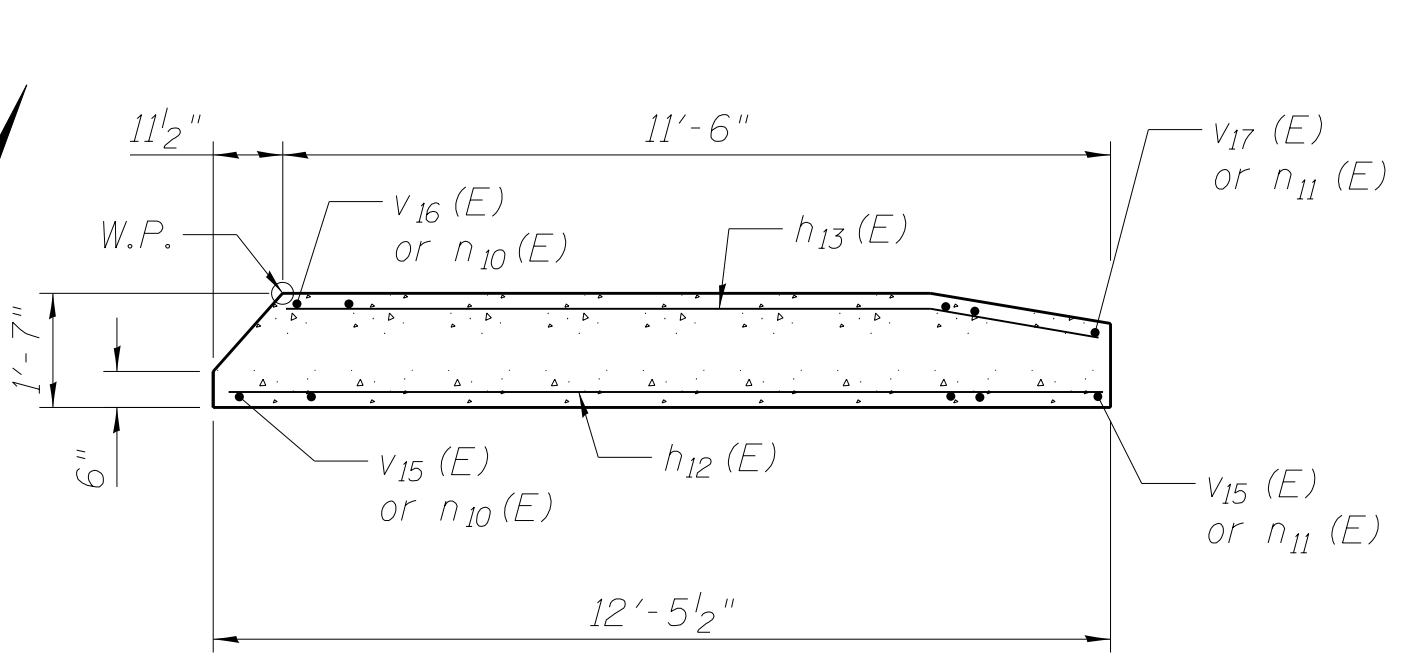
WING WALL ELEVATION
Showing Dimensions



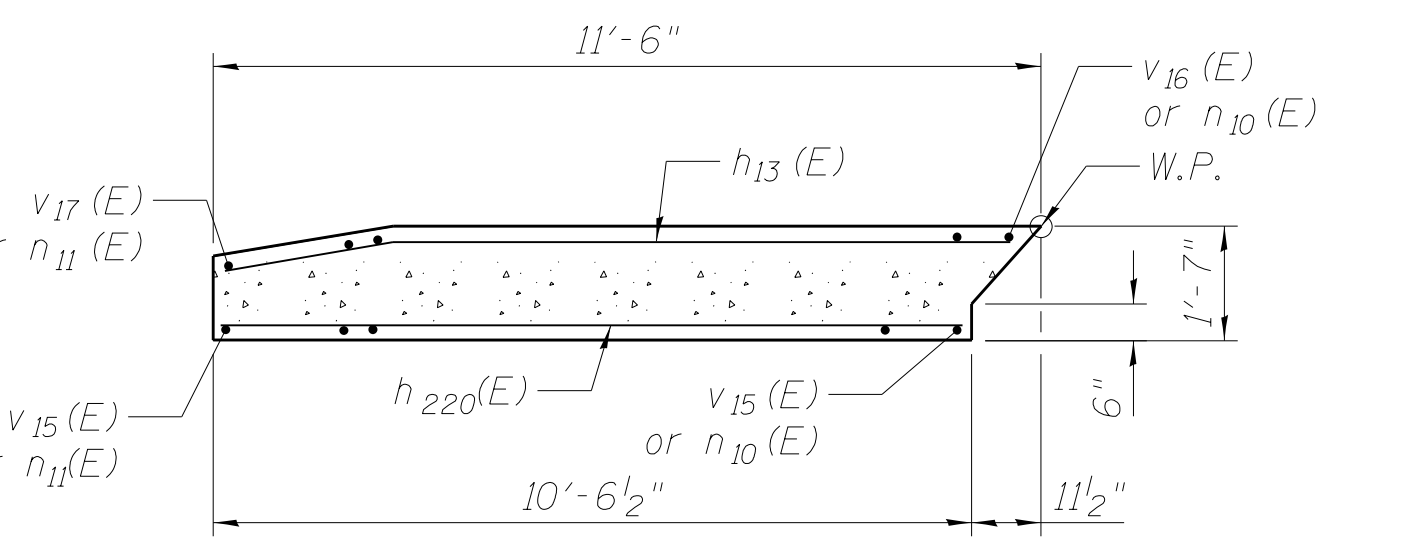
SOUTH WING WALL ELEVATION
Showing Reinforcement



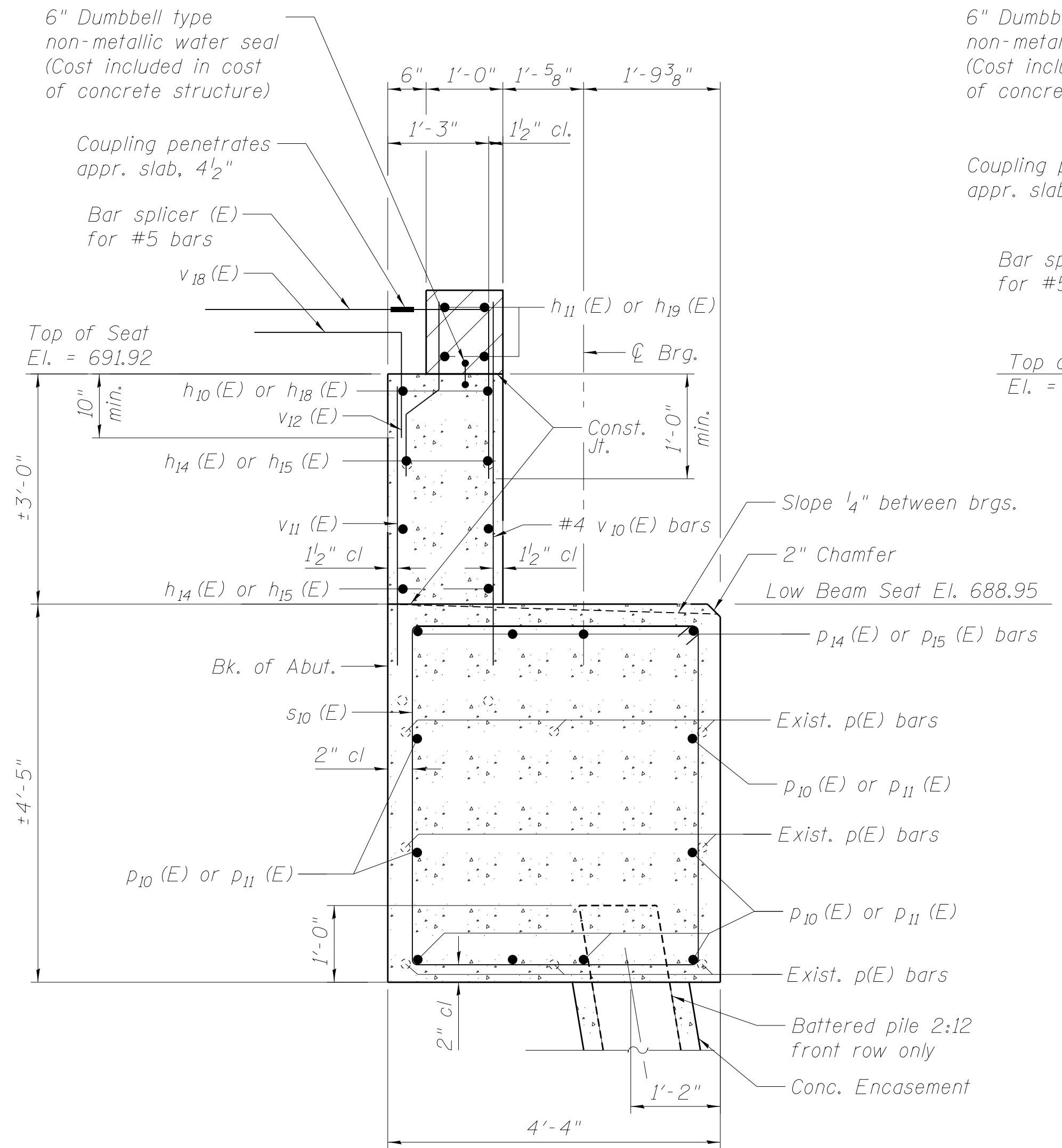
NORTH WING WALL ELEVATION
Showing Reinforcement



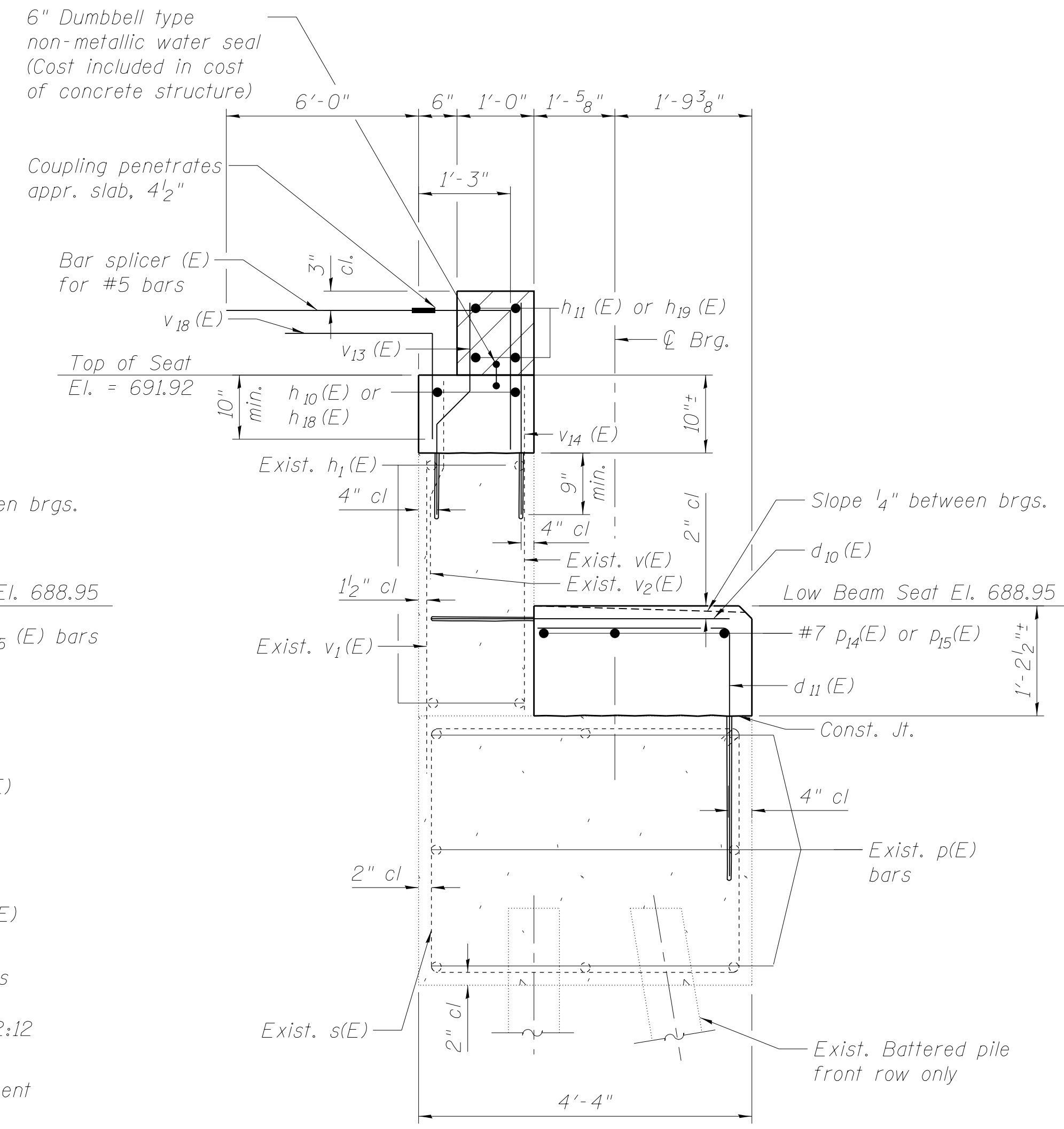
SECTION E-E



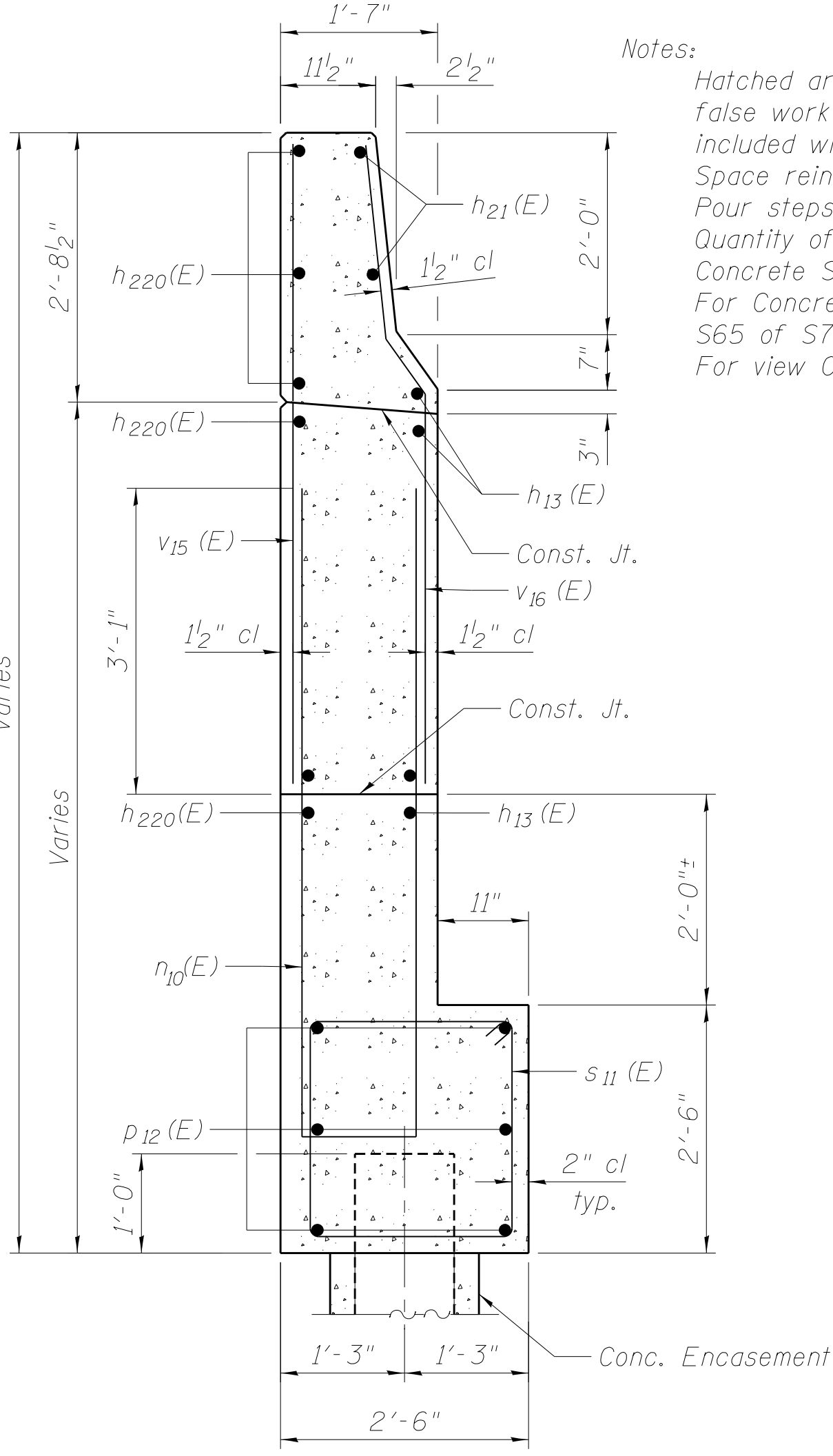
SECTION F-F



SECTION A-A

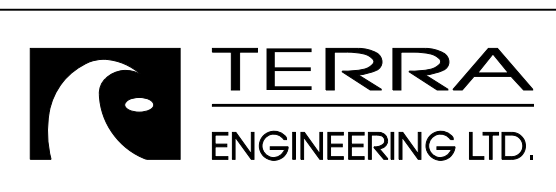


SECTION B-B



SECTION D-D

Notes:
 Hatched area to be poured after superstructure false work has been removed. Quantity of concrete included with Concrete Superstructure. Space reinforcement in cap to miss anchor bolts. Pour steps monolithically with cap. Quantity of concrete in end post included with Concrete Superstructure on sheet S23 of S71. For Concrete Encasement details, see sheet S65 of S71. For view C-C see sheet of S37 of S71.



USER NAME =	DESIGNED - EA	REVISED
	CHECKED - OY	REVISED
PLOT SCALE =	DRAWN - CM	REVISED
PLOT DATE	CHECKED - JB	REVISED

STATE OF ILLINOIS
DEPARTMENT OF TRANSPORTATION

EAST ABUTMENT - NORTHBOUND SHEET 3
STRUCTURE NOS. 038 - 0013 & 0014

SHEET NO. S38 OF S71 SHEETS

F.A.I. RTE.	SECTION	COUNTY	TOTAL SHEETS	SHEET NO.
57	38-2HWB, HVBR-1	IROQUOIS	146	77
CONTRACT NO. 66942			ILLINOIS FED. AID PROJECT	