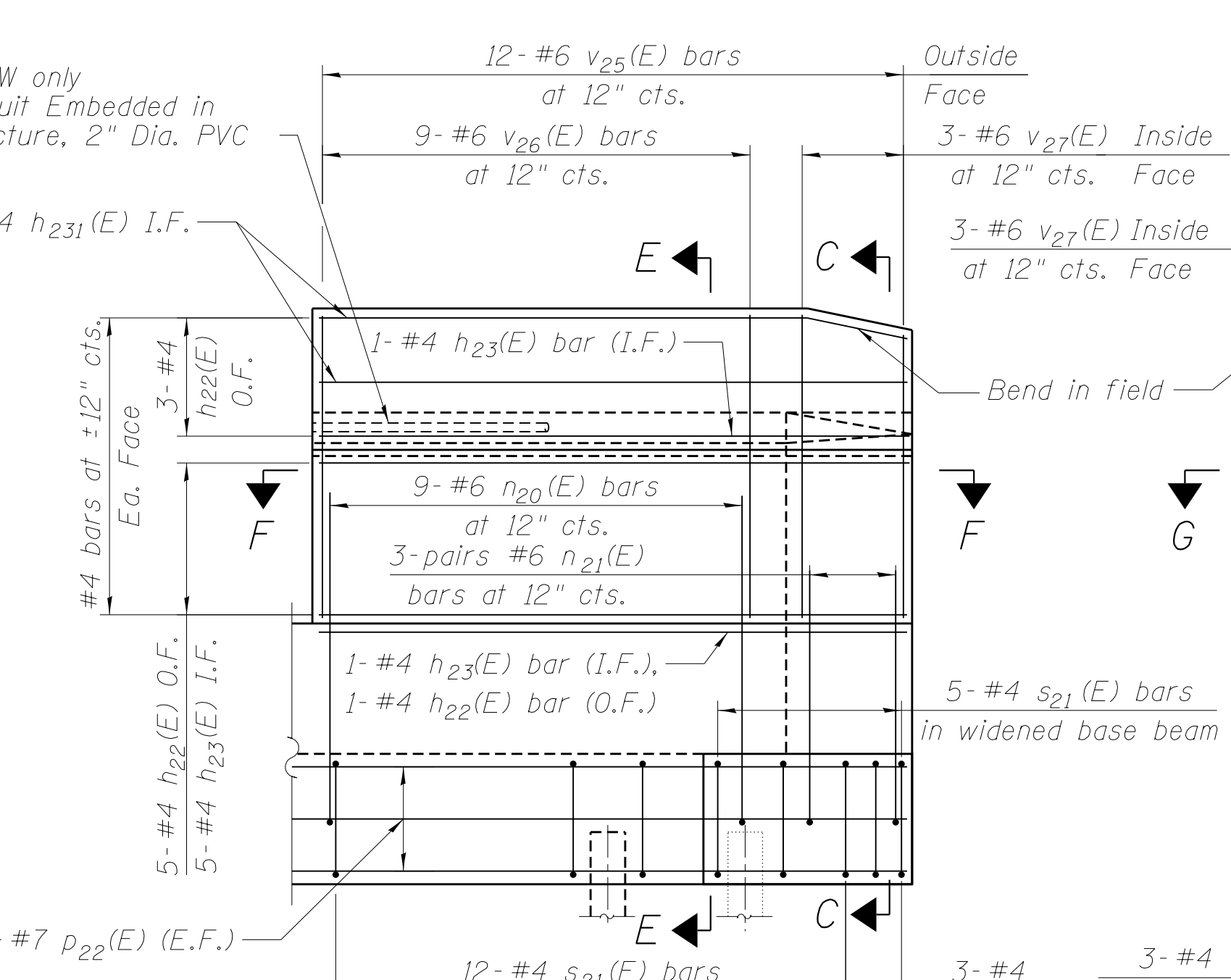
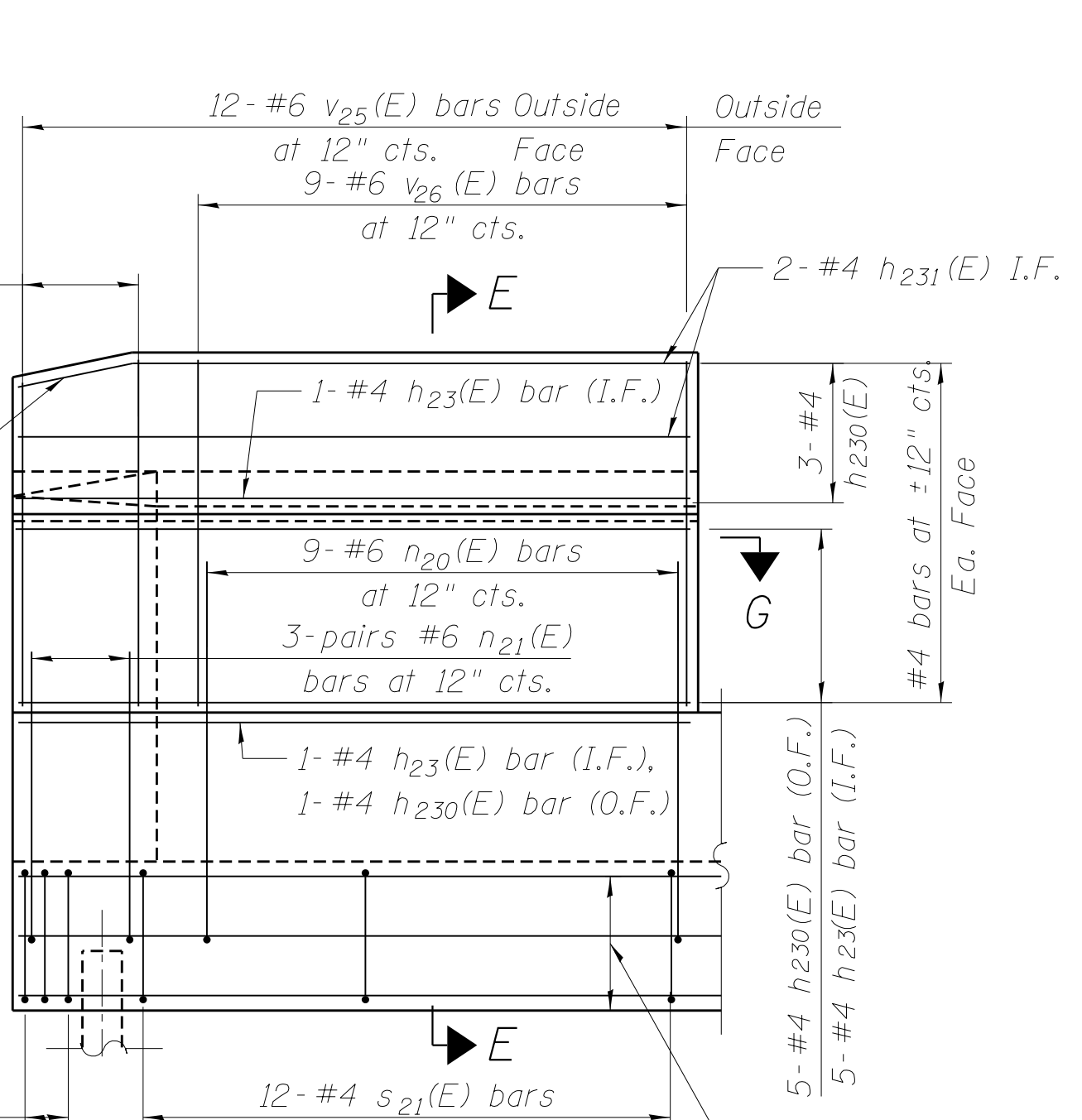


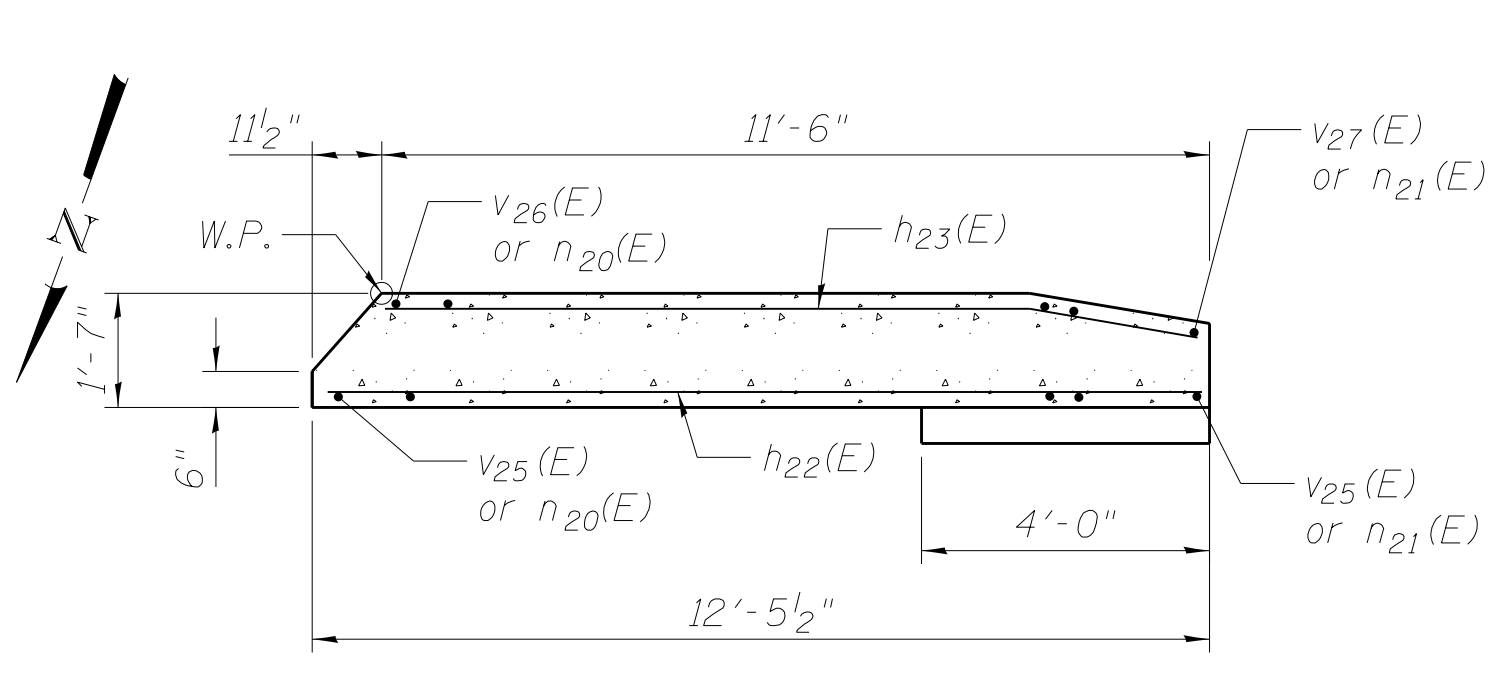
**WING WALL ELEVATION**  
Showing Dimensions



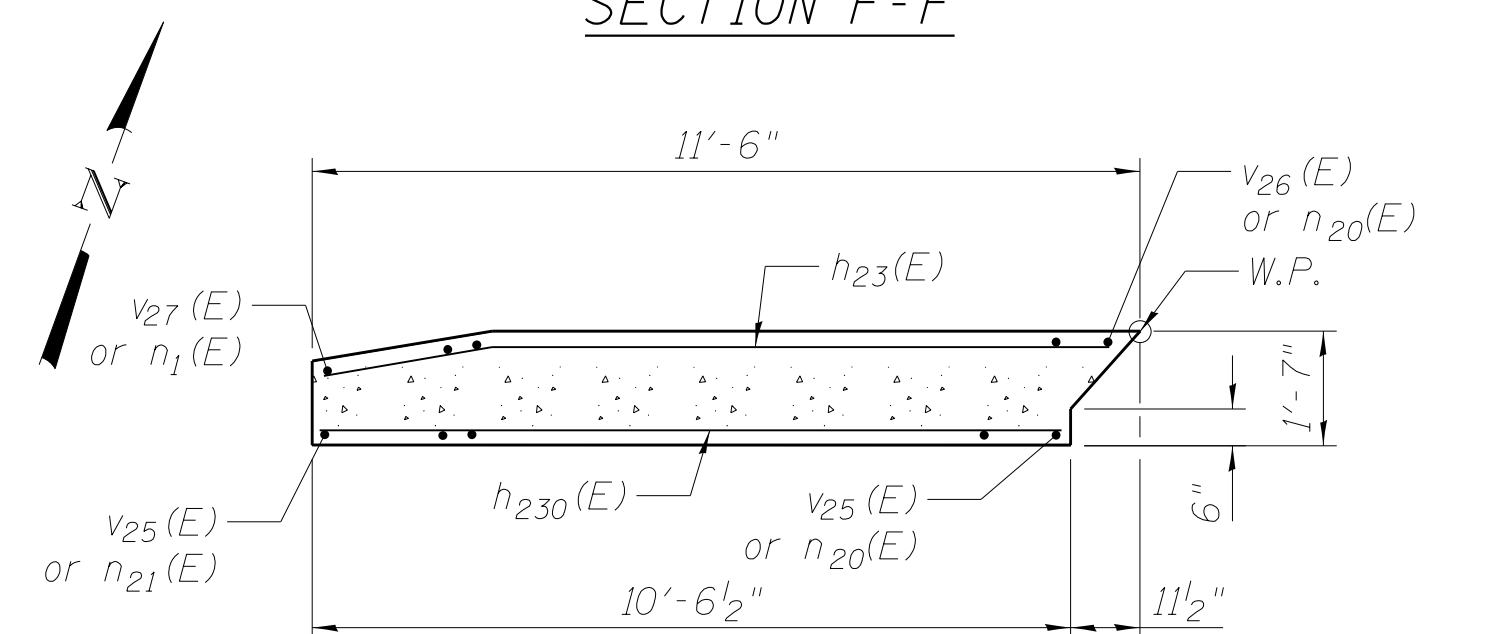
**NORTH WING WALL ELEVATION**  
Showing Reinforcement



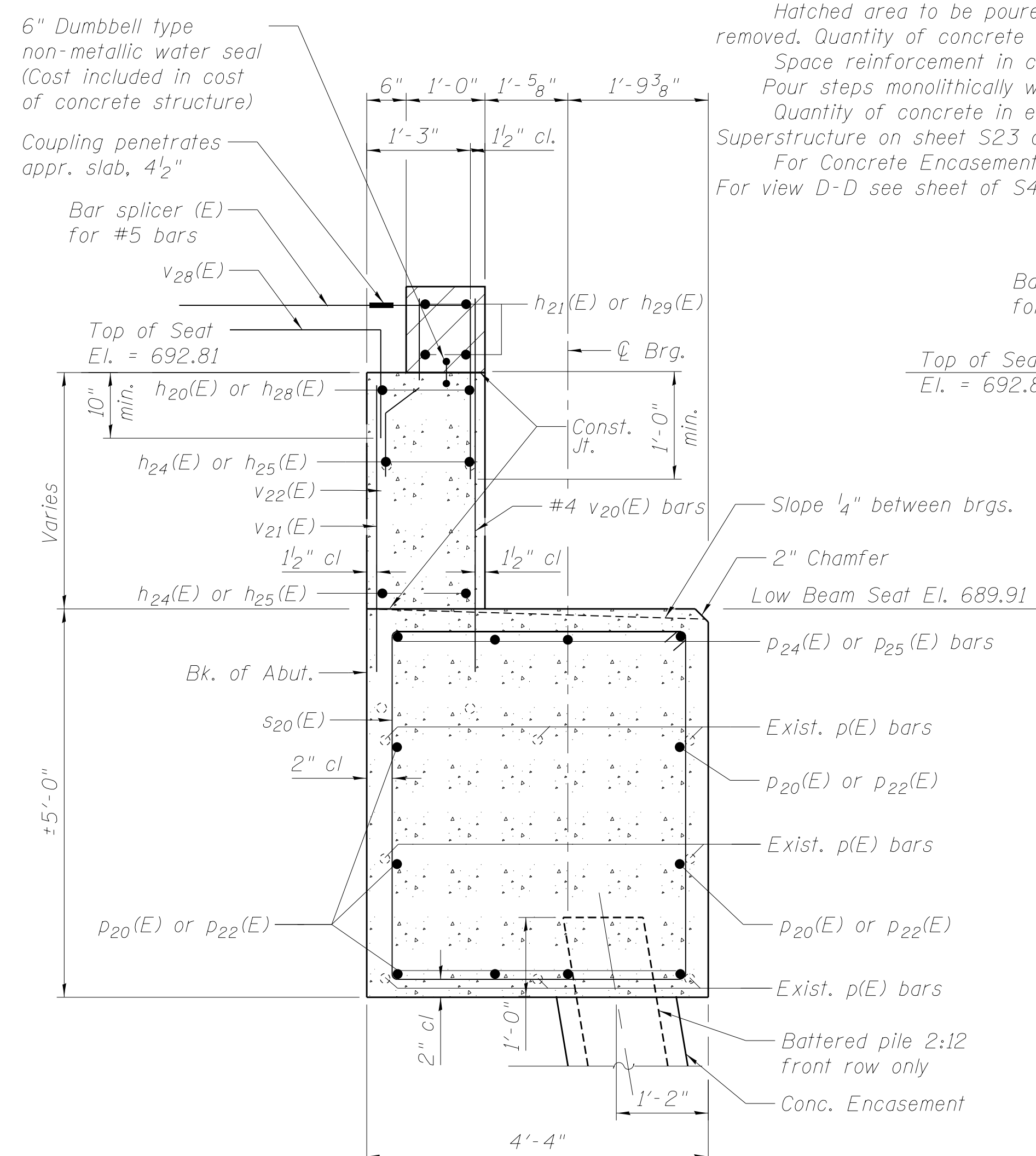
**SOUTH WING WALL ELEVATION**  
Showing Reinforcement



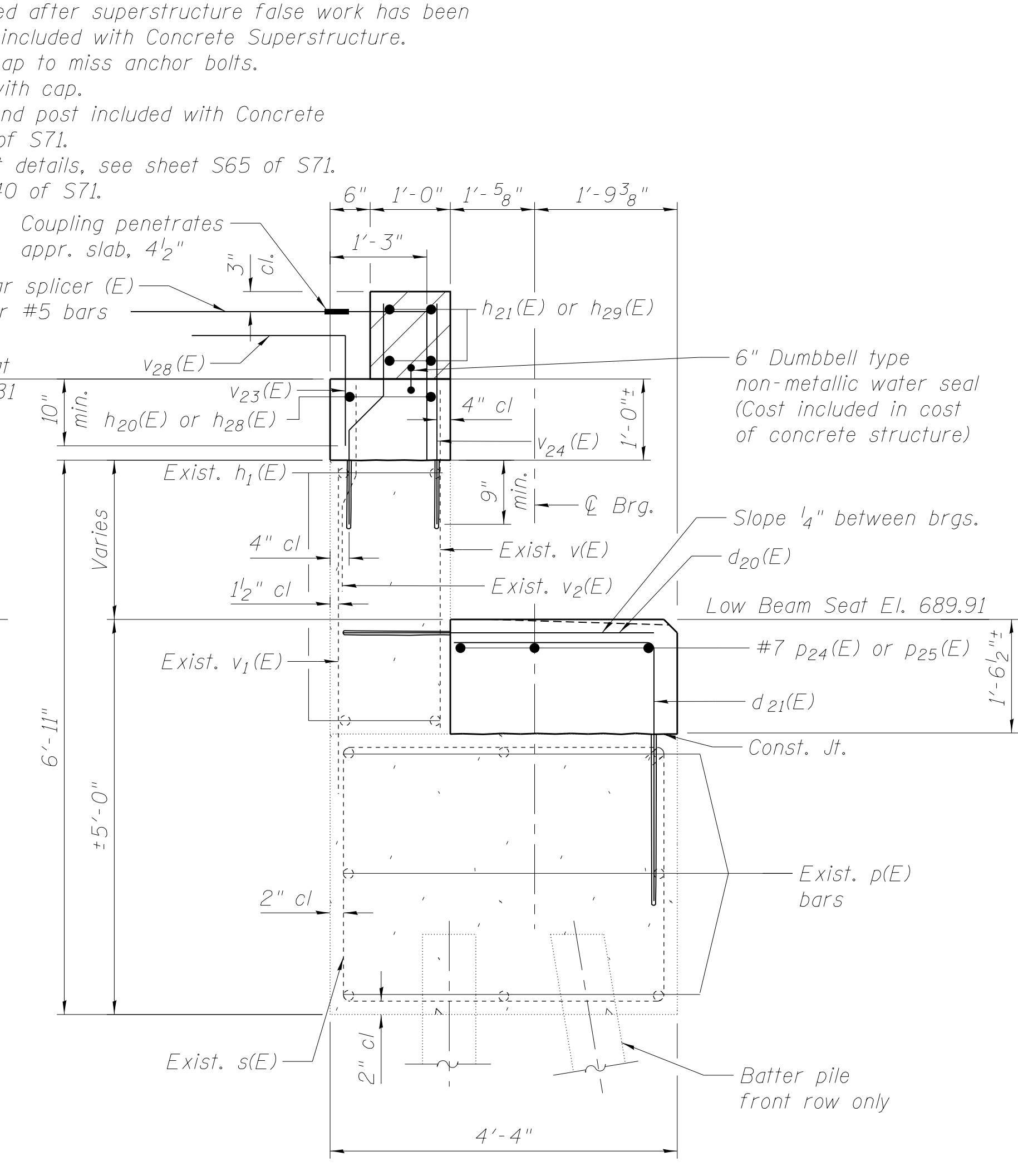
**SECTION F-F**



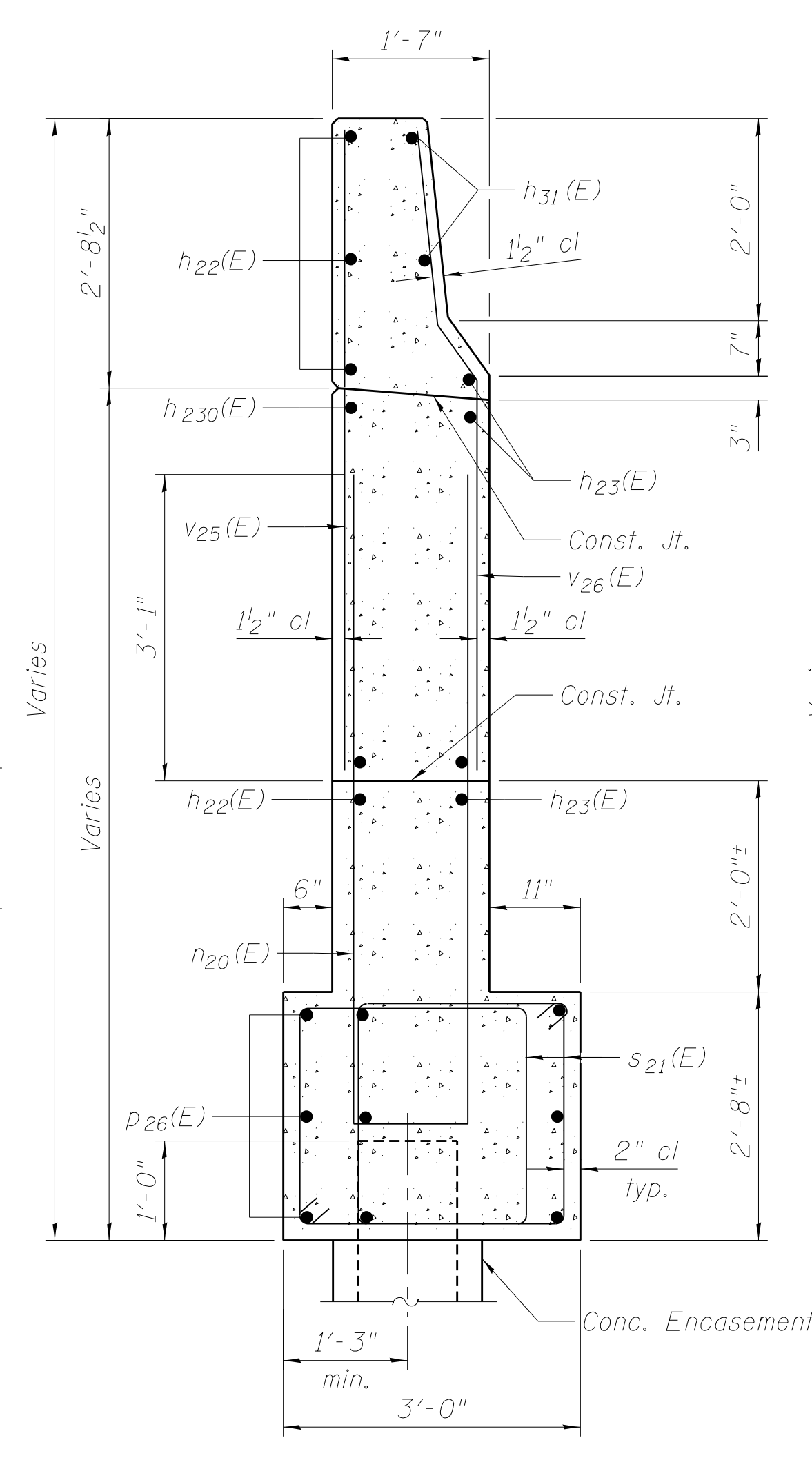
**SECTION G-G**



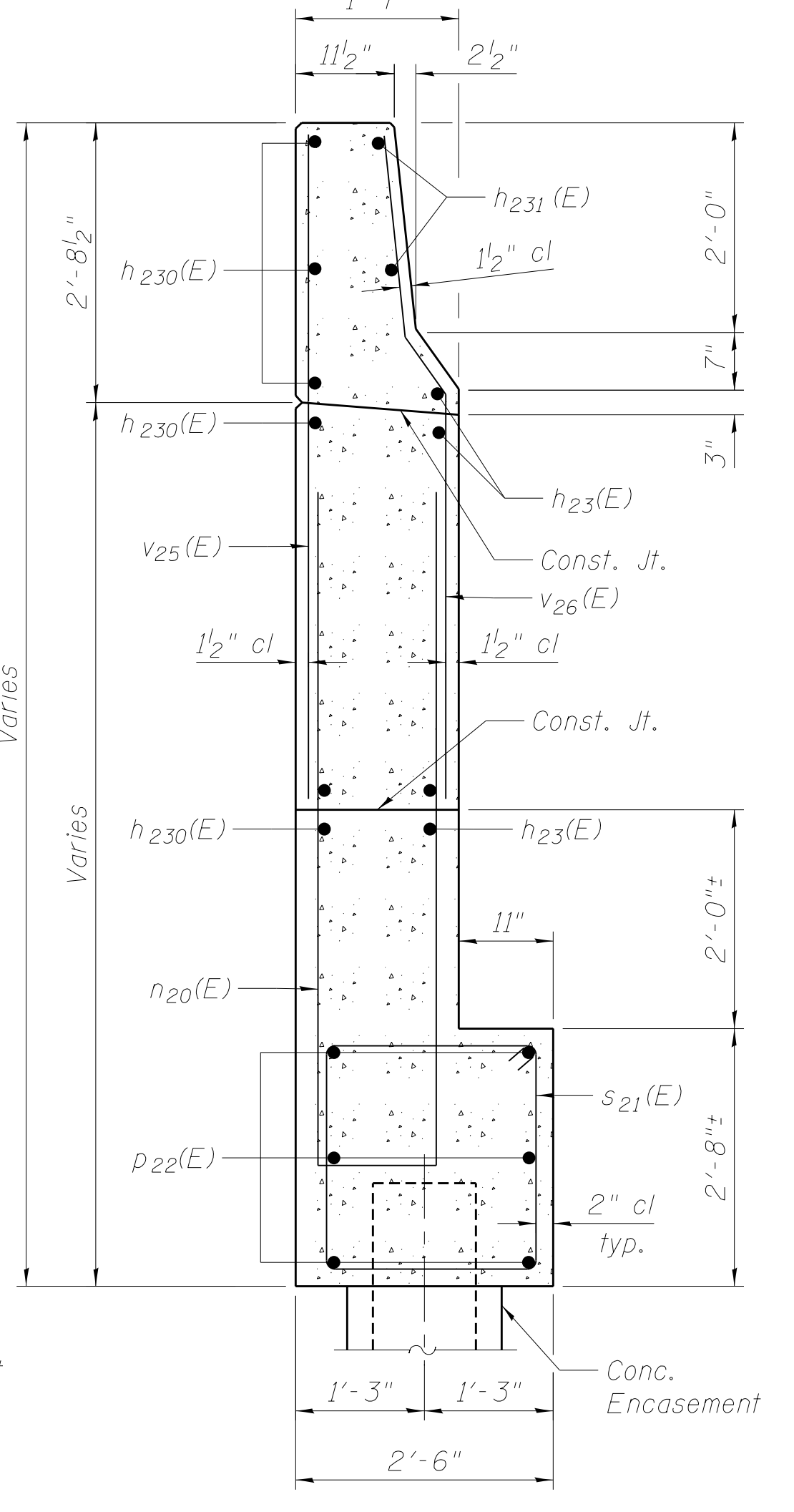
**SECTION A-A**



**SECTION B-B**



**SECTION C-C**



**SECTION E-E**

Notes:  
Hatched area to be poured after superstructure false work has been removed. Quantity of concrete included with Concrete Superstructure.  
Space reinforcement in cap to miss anchor bolts.  
Pour steps monolithically with cap.  
Quantity of concrete in end post included with Concrete Superstructure on sheet S23 of S71.  
For Concrete Encasement details, see sheet S65 of S71.  
For view D-D see sheet of S40 of S71.

6" Dumbbell type non-metallic water seal (Cost included in cost of concrete structure)

Coupling penetrates appr. slab, 4 1/2"

Bar splicer (E) for #5 bars

v28(E)

Top of Seat El. = 692.81

h20(E) or h28(E)

h24(E) or h25(E)

v22(E)

v21(E)

h24(E) or h25(E)

±5'-0"

p20(E) or p22(E)

2" cl

1'-0"

1'-2"

4'-4"



USER NAME =	DESIGNED - EA	REVISED
PLOT SCALE =	CHECKED - OY	REVISED
PLOT DATE	DRAWN - CM	REVISED
	CHECKED - JB	REVISED

**STATE OF ILLINOIS**  
**DEPARTMENT OF TRANSPORTATION**

**WEST ABUTMENT - NORTHBOUND SHEET 3**  
**STRUCTURE NOS. 038 - 0013 & 0014**

SHEET NO. S41 OF S71 SHEETS

F.A.I. RTE.	SECTION	COUNTY	TOTAL SHEETS	SHEET NO.
57	38-2HVB, HVBR-1	IROQUOIS	146	80
CONTRACT NO. 66942				

ILLINOIS FED. AID PROJECT