

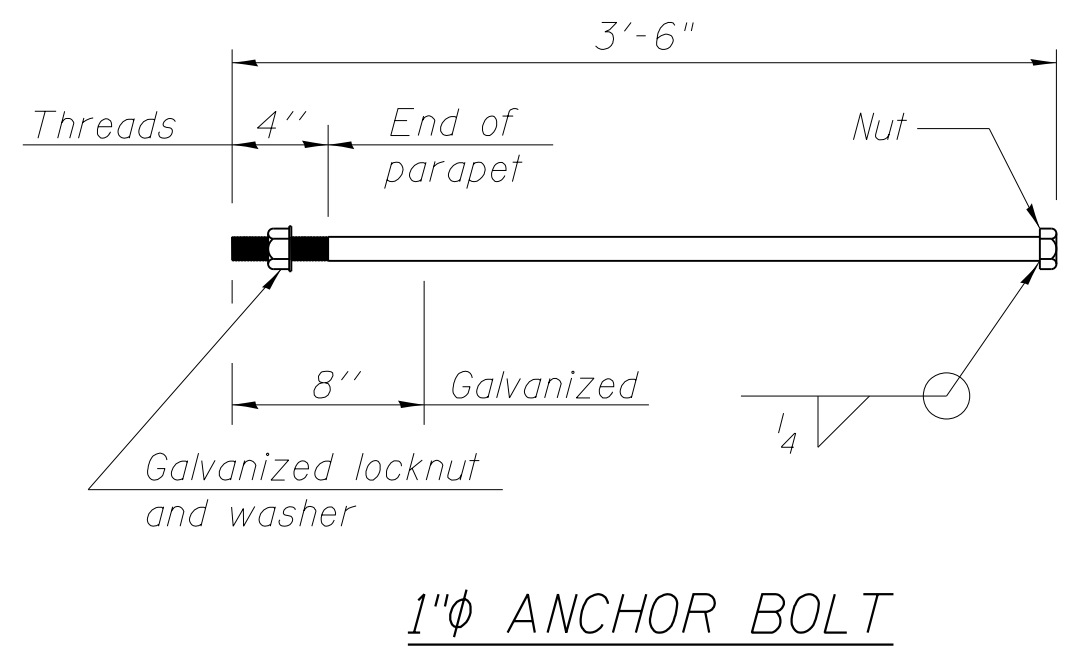
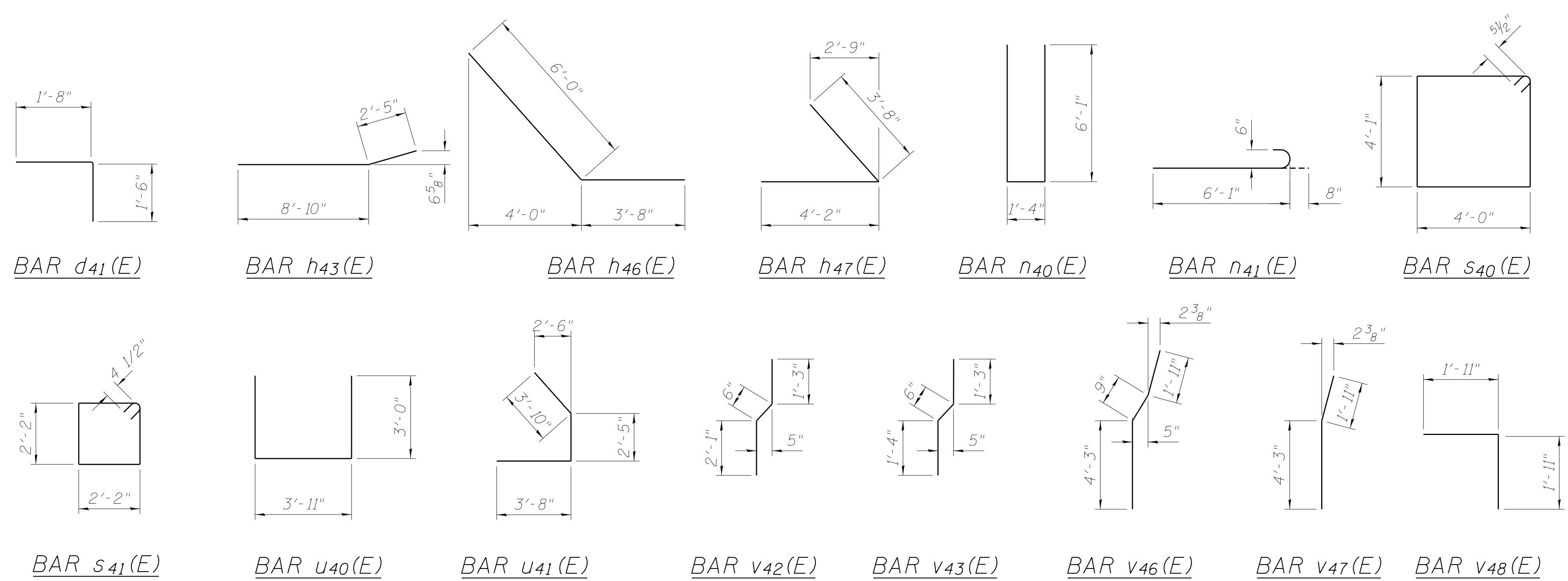
**ABUTMENT
BILL OF MATERIAL**

Bar	No.	Size	Length	Shape
d ₄₀ (E)	42	#5	2'-3"	
d ₄₁ (E)	42	#5	3'-2"	
h ₄₀ (E)	2	#5	24'-6"	
h ₄₁ (E)	4	#6	22'-7"	
h ₄₂ (E)	9	#4	12'-0"	
h ₄₃ (E)	14	#4	11'-2"	
h ₄₄ (E)	6	#5	9'-8"	
h ₄₅ (E)	6	#5	8'-6"	
h ₄₆ (E)	10	#5	9'-8"	
h ₄₇ (E)	10	#5	7'-10"	
h ₄₈ (E)	2	#5	30'-9"	
h ₄₉ (E)	4	#6	29'-4"	
h ₂₅₀ (E)	9	#4	10'-2"	
h ₂₅₁ (E)	4	#4	11'-2"	
n ₄₀ (E)	18	#6	13'-6"	
n ₄₁ (E)	12	#6	6'-9"	
p ₄₀ (E)	9	#7	10'-7"	
p ₄₁ (E)	9	#7	7'-7"	
p ₄₂ (E)	6	#7	11'-6"	
p ₄₃ (E)	6	#7	12'-0"	
p ₄₄ (E)	3	#7	25'-10"	
p ₄₅ (E)	3	#7	31'-1"	
s ₄₀ (E)	20	#5	16'-10"	
s ₄₁ (E)	30	#4	9'-0 1/2"	
u ₄₀ (E)	4	#6	9'-11"	
u ₄₁ (E)	4	#6	9'-11"	
v ₄₀ (E)	16	#4	6'-8"	
v ₄₁ (E)	15	#4	5'-8"	
v ₄₂ (E)	15	#4	3'-10"	
v ₄₃ (E)	42	#4	3'-1"	
v ₄₄ (E)	42	#4	2'-9"	
v ₄₅ (E)	24	#6	6'-10"	
v ₄₆ (E)	18	#6	6'-11"	
v ₄₇ (E)	6	#6	6'-3"	
v ₄₈ (E)	53	#4	3'-10"	
Structure Excavation	Cu. Yd.		88	
Concrete Structures	Cu. Yd.		39.4	
Reinforcement Bars, Epoxy Coated	Pound		4290	
Furnishing Steel Piles HP12x53	Foot		172	
Driving Piles	Foot		172	
Test Pile Steel HP12x53	Each		1	
Concrete Encasement	Cu. Yd.		1.7	
Concrete Sealer	Sq. Ft.		434	

PILE DATA

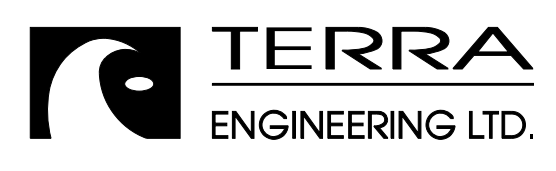
Type: HP 12X53
 Nominal Required Bearing: 359 kips
 Allowable Resistance Available: 120 kips
 Est. Length: 43 Ft.
 No. Production Piles: 4
 No. Test Piles: 1

PILE LAYOUT



For details of Bar Splicers, see sheet S64 of S71.
 For details of piles and Concrete Encasement, see sheet S65 of S71.

M:\1_57_OVER CNRR & OLD 45\Drawings\CADD Drawings\Structural\Final Plans\SHS\0366942-046-W-Abutment-SB.dgn



USER NAME =	DESIGNED - EA	REVISED
	CHECKED - OY	REVISED
PLOT SCALE =	DRAWN - CM	REVISED
PLOT DATE	CHECKED - JB	REVISED

**STATE OF ILLINOIS
DEPARTMENT OF TRANSPORTATION**

**WEST ABUTMENT - SOUTHBOUND SHEET 2
STRUCTURE NOS. 038 - 0013 & 0014**

SHEET NO. S46 OF S71 SHEETS

F.A.I. RTE.	SECTION	COUNTY	TOTAL SHEETS	SHEET NO.
57	38-2HVB, HVBR-1	IROQUOIS	146	85
			CONTRACT NO. 66942	
ILLINOIS FED. AID PROJECT				