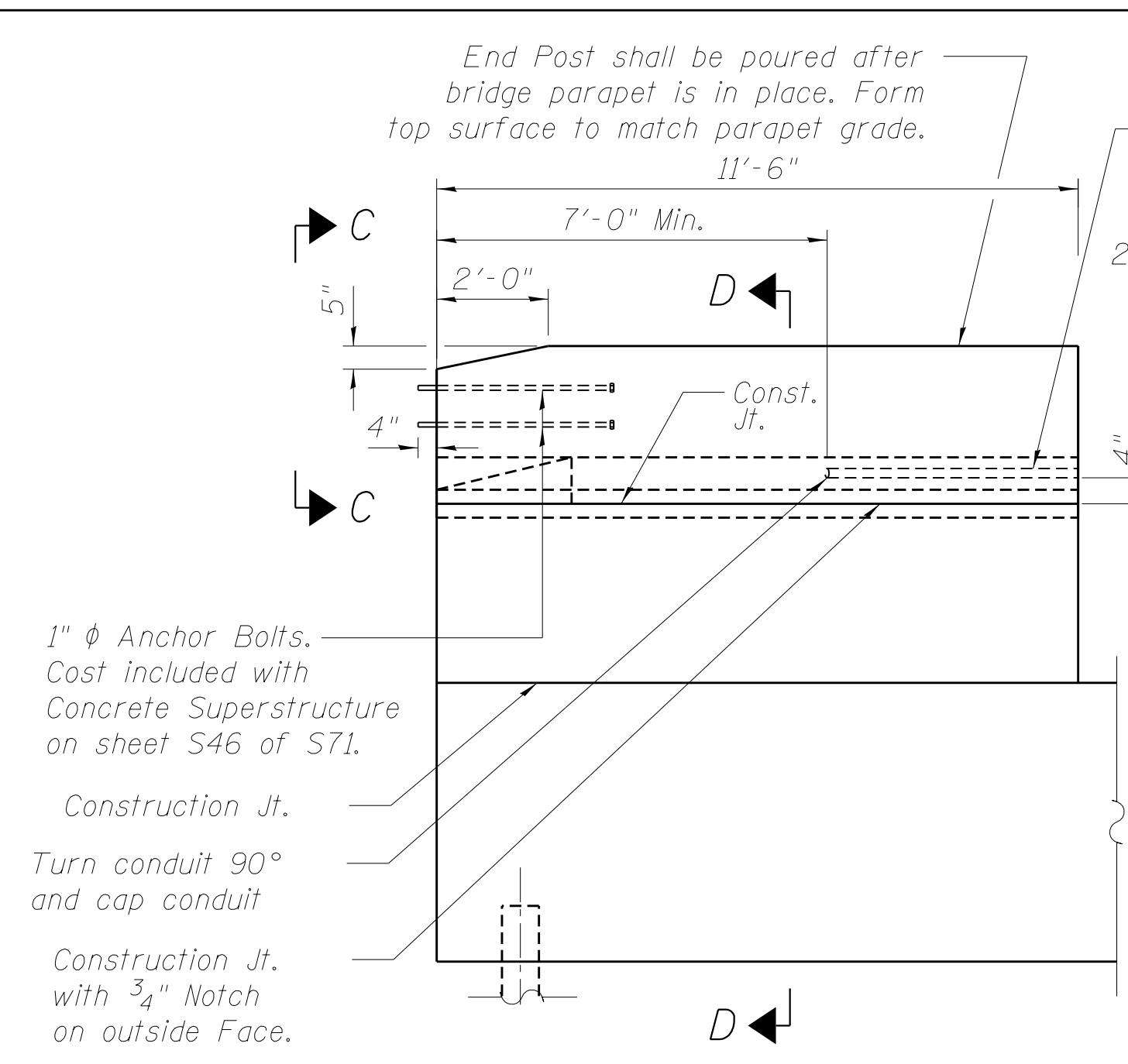
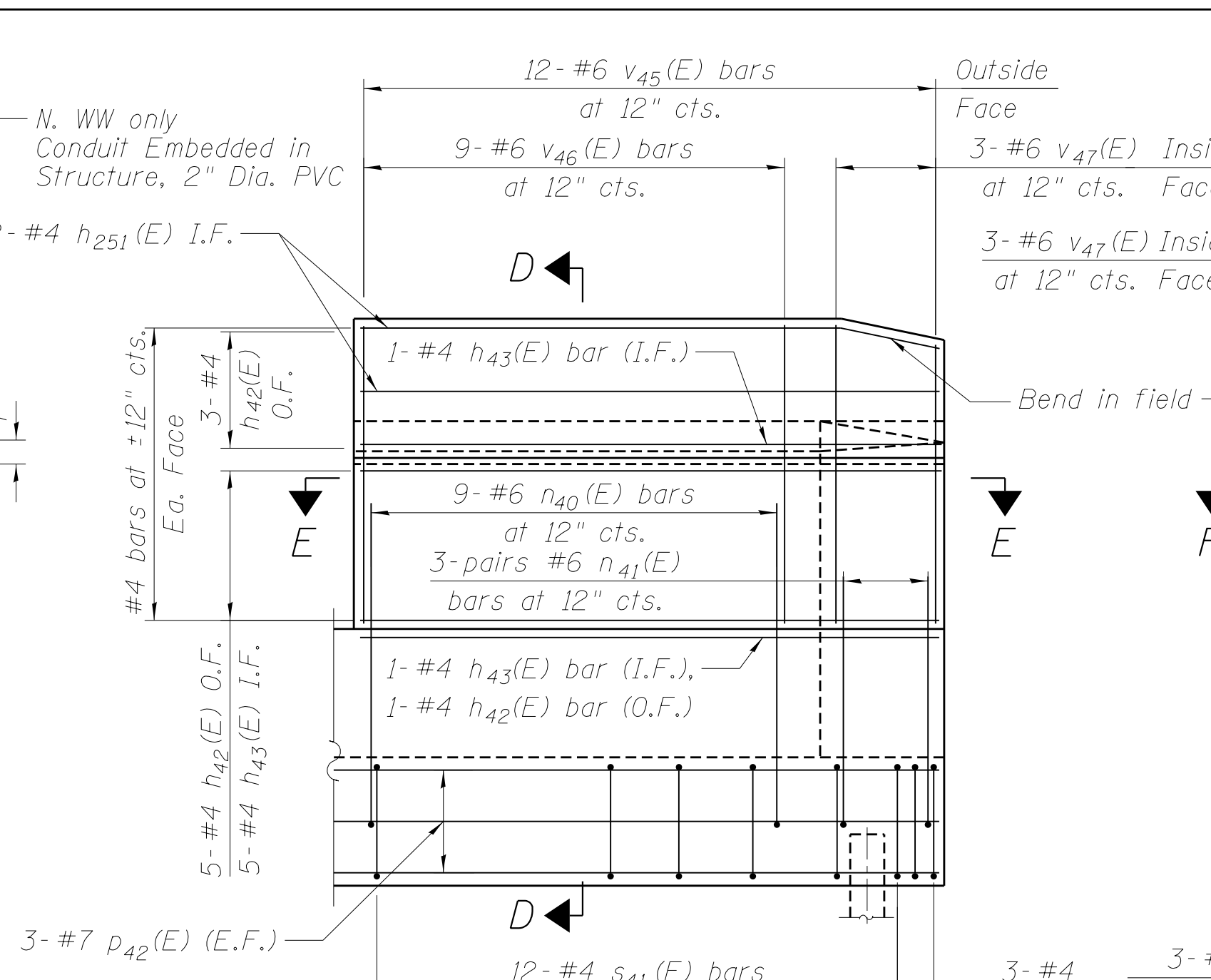


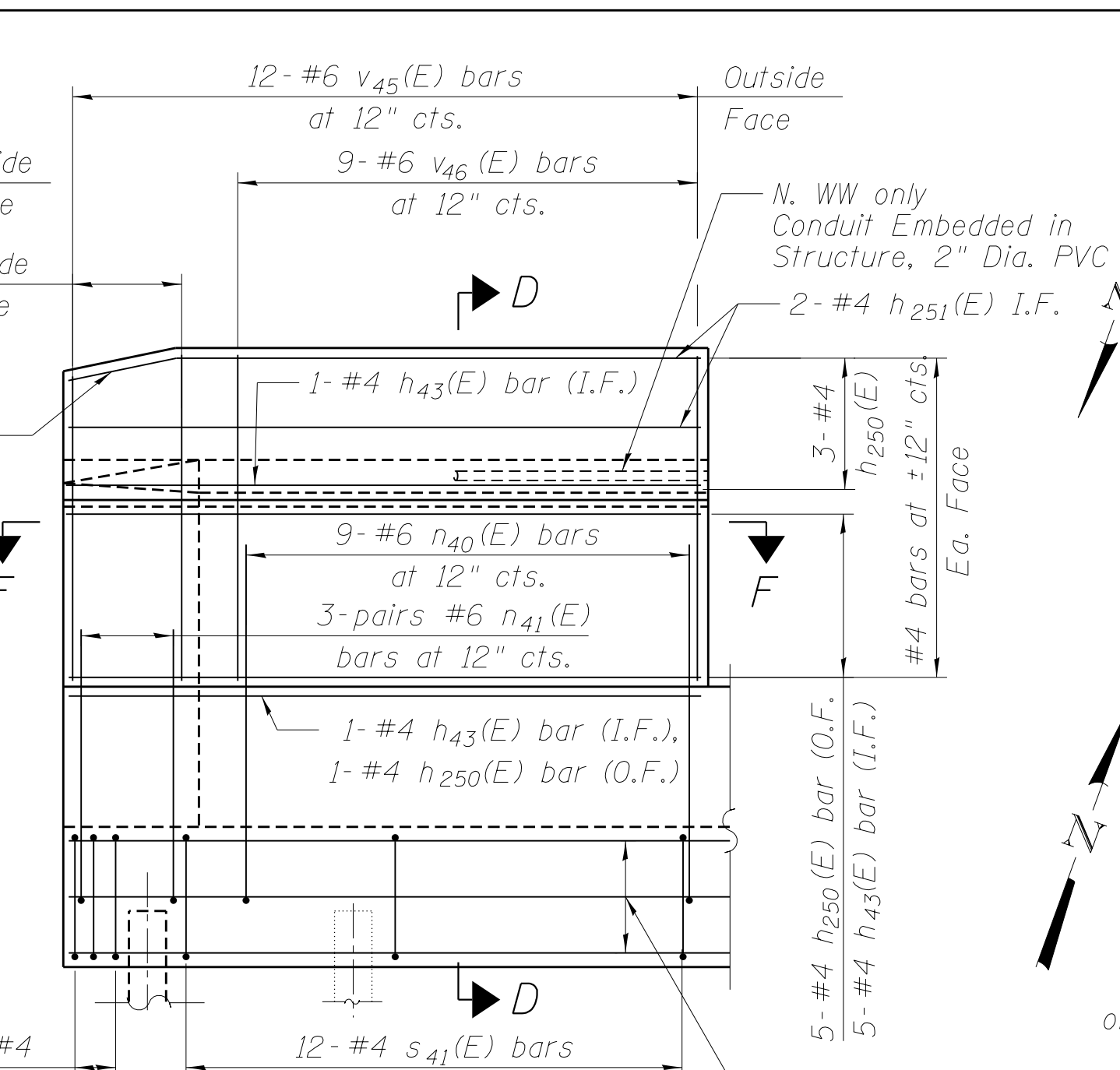
M:\157_OVERVIEW\CNR & OLD 45\Drawings\Structural\Final Plans\SHS\0365942-047-W-Abutment-SB.dgn



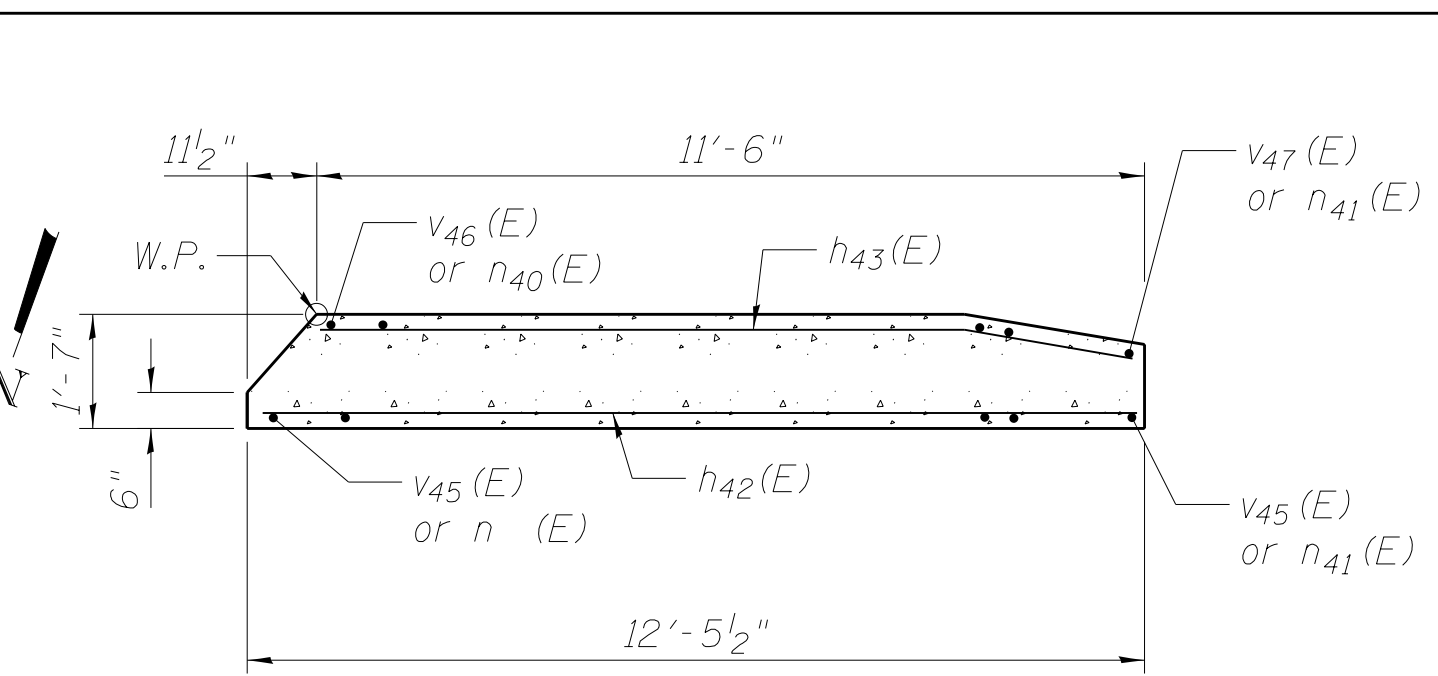
WING WALL ELEVATION
Showing Dimensions



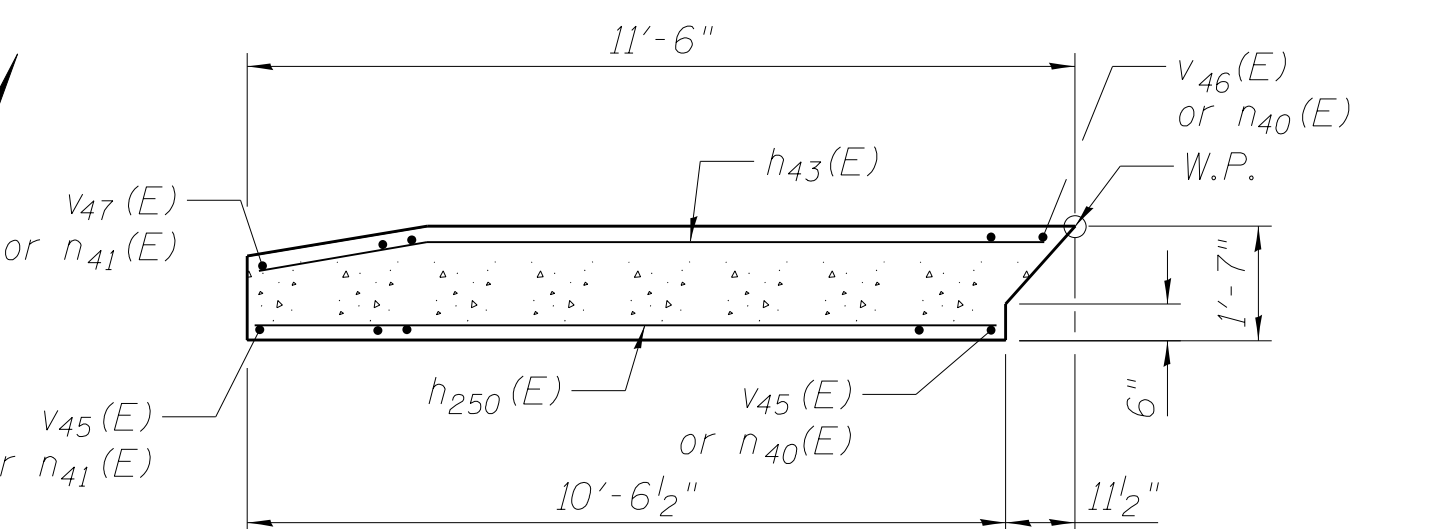
SOUTH WING WALL ELEVATION
Showing Reinforcement



NORTH WING WALL ELEVATION
Showing Reinforcement

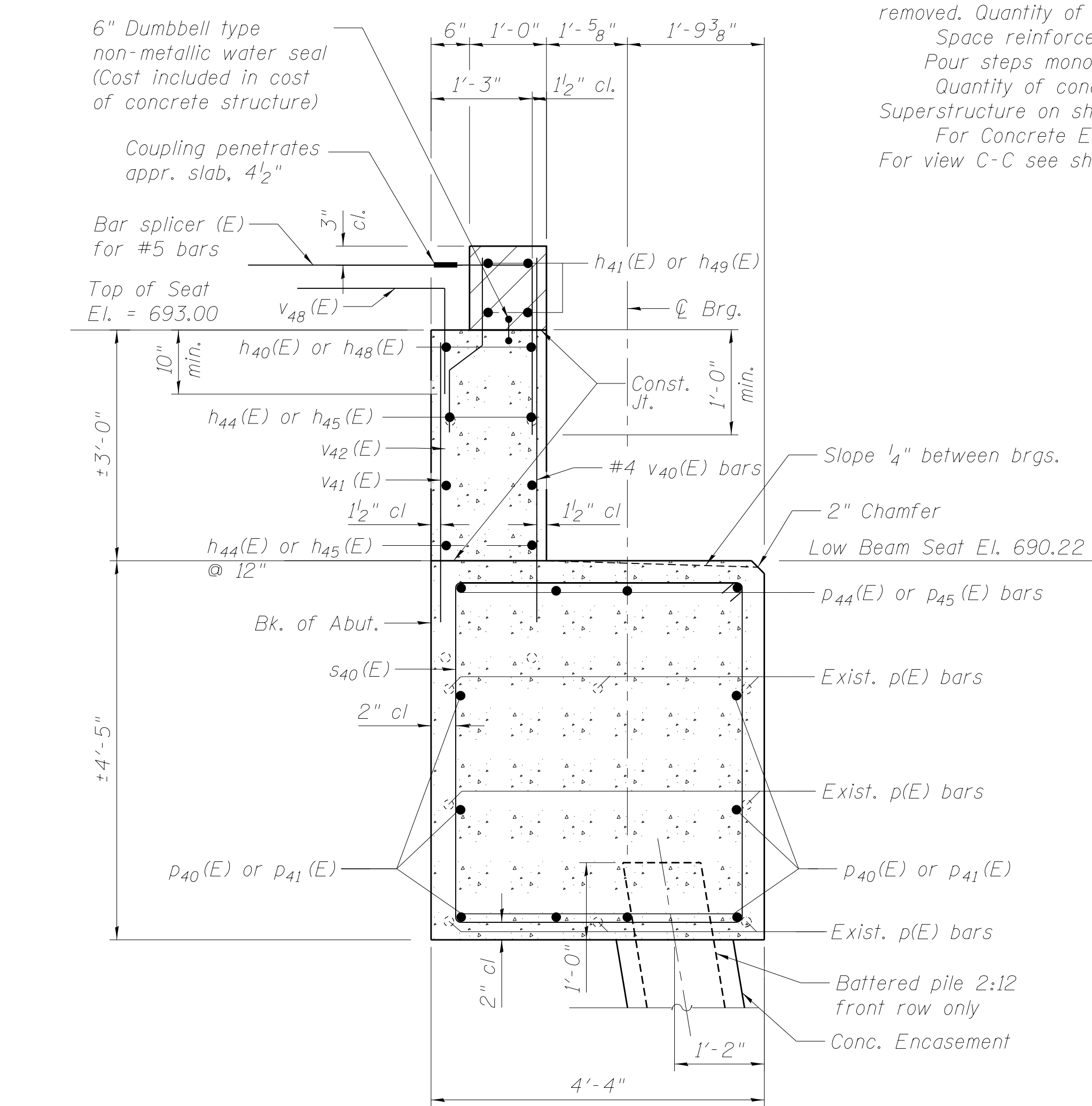


SECTION E-E

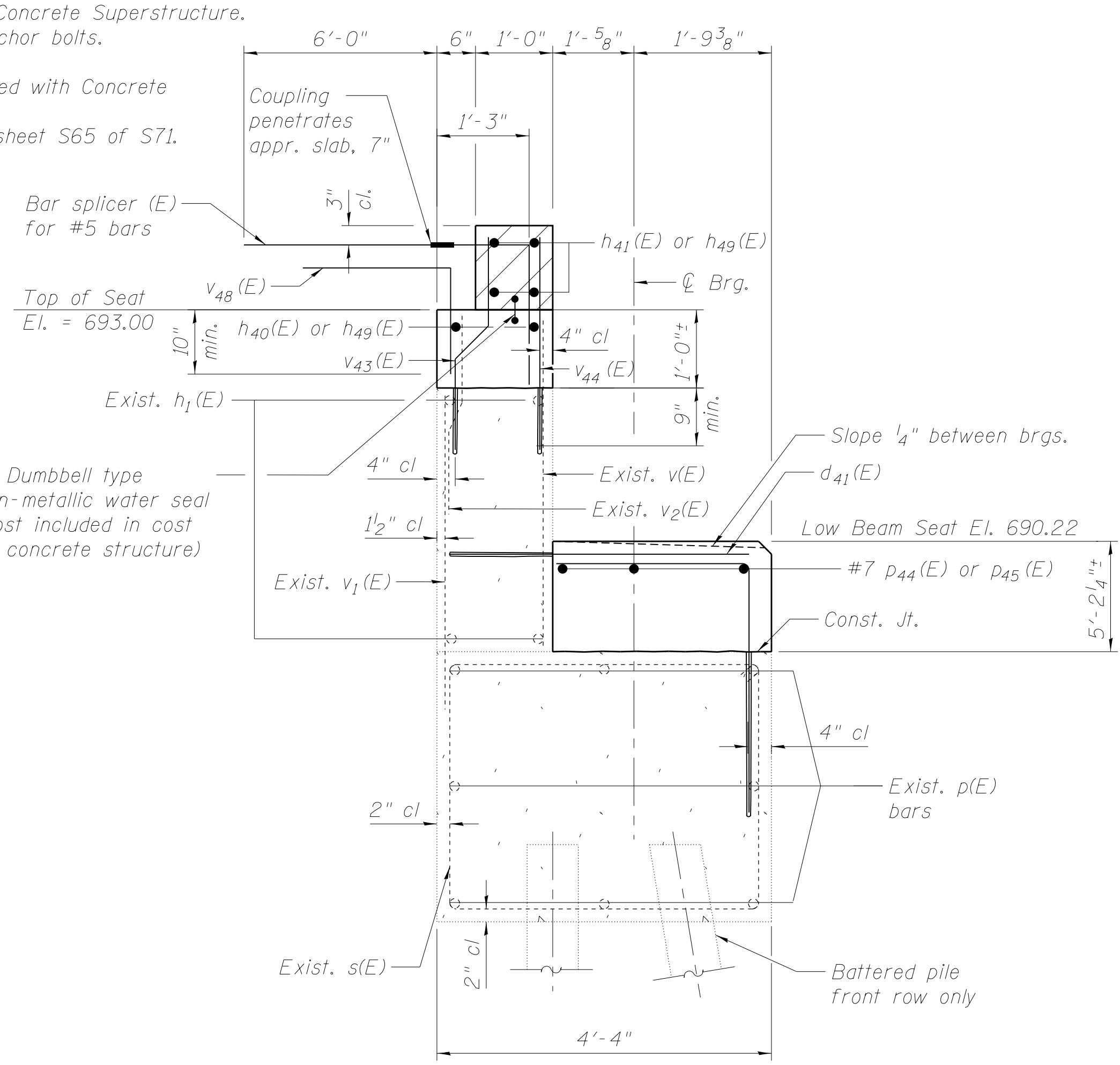


SECTION F-F

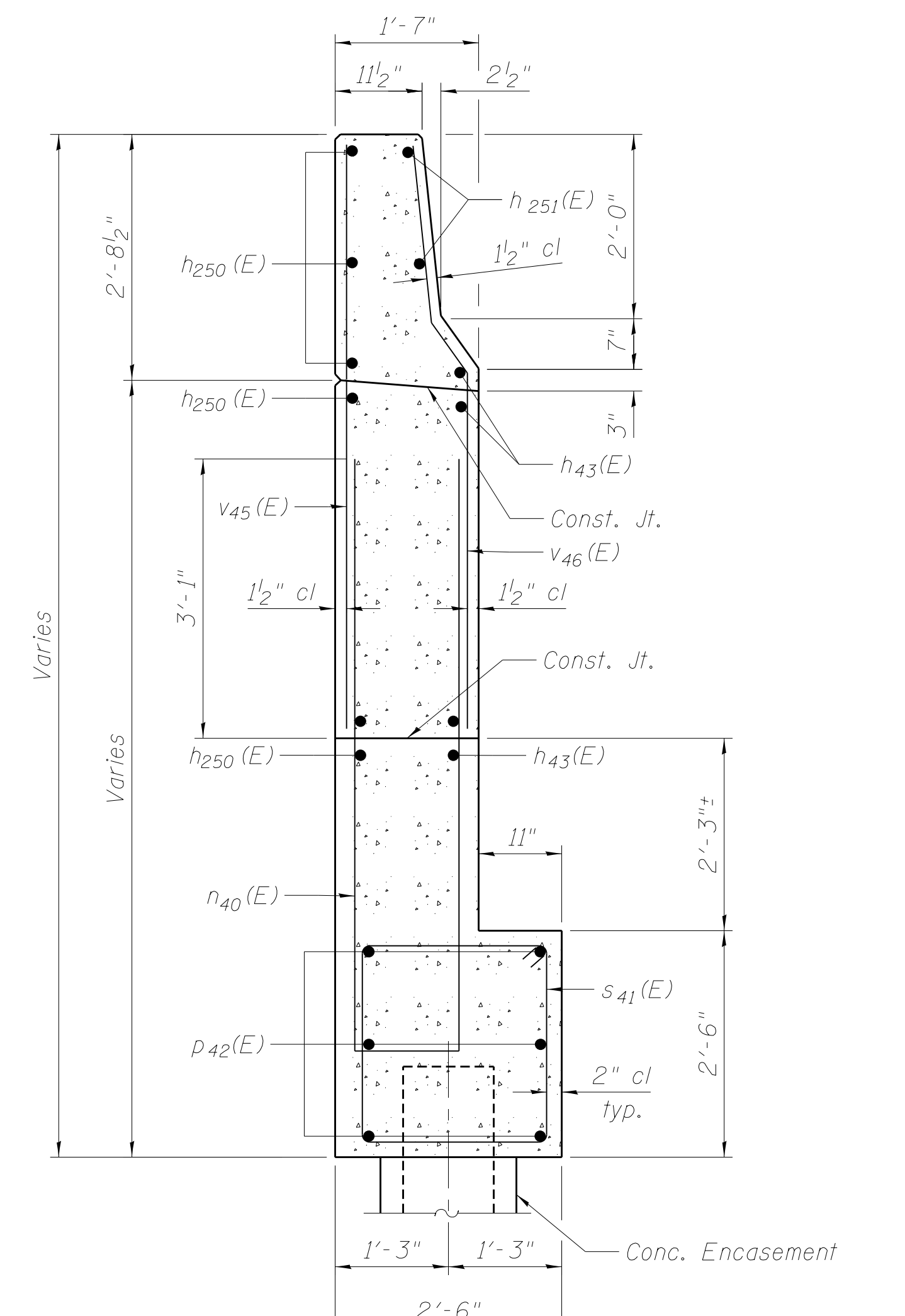
Notes:
 Hatched area to be poured after superstructure false work has been removed. Quantity of concrete included with Concrete Superstructure.
 Space reinforcement in cap to miss anchor bolts.
 Pour steps monolithically with cap.
 Quantity of concrete in end post included with Concrete Superstructure on sheet S23 of S71.
 For Concrete Encasement details, see sheet S65 of S71.
 For view C-C see sheet of S46 of S71.



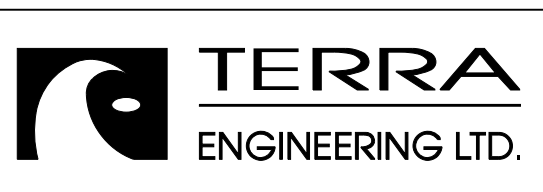
SECTION A-A



SECTION B-B



SECTION D-D



USER NAME =	DESIGNED - EA	REVISED
PLOT SCALE =	CHECKED - OY	REVISED
PLOT DATE	DRAWN - CM	REVISED
	CHECKED - JB	REVISED

STATE OF ILLINOIS
DEPARTMENT OF TRANSPORTATION

WEST ABUTMENT - SOUTHBOUND SHEET 3
STRUCTURE NOS. 038 - 0013 & 0014

F.A.I. RTE.	SECTION	COUNTY	TOTAL SHEETS	SHEET NO.
57	38-2HWB, HVBR-1	IROQUOIS	146	86
CONTRACT NO. 66942				
ILLINOIS FED. AID PROJECT				

SHEET NO. S47 OF S71 SHEETS