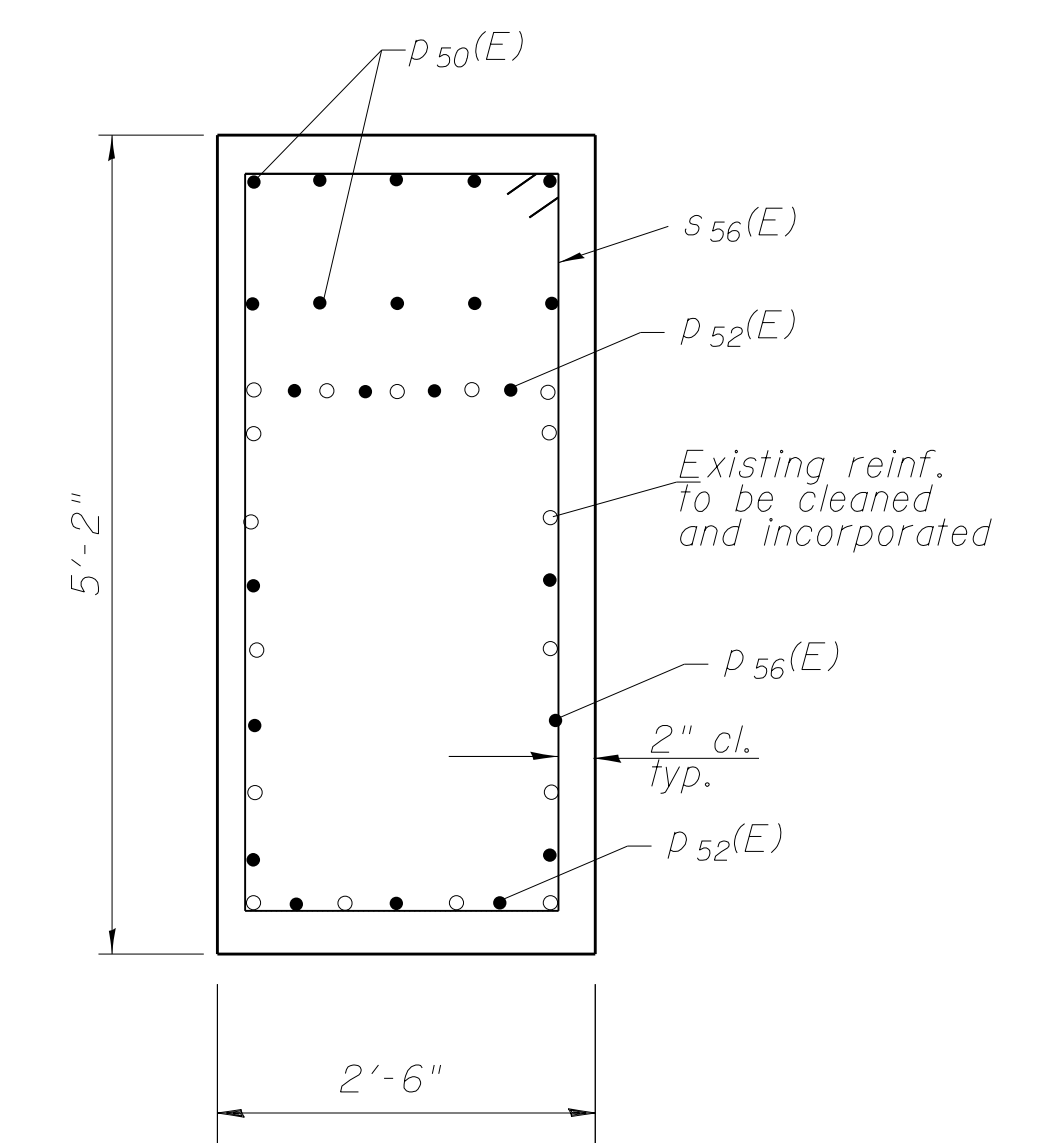
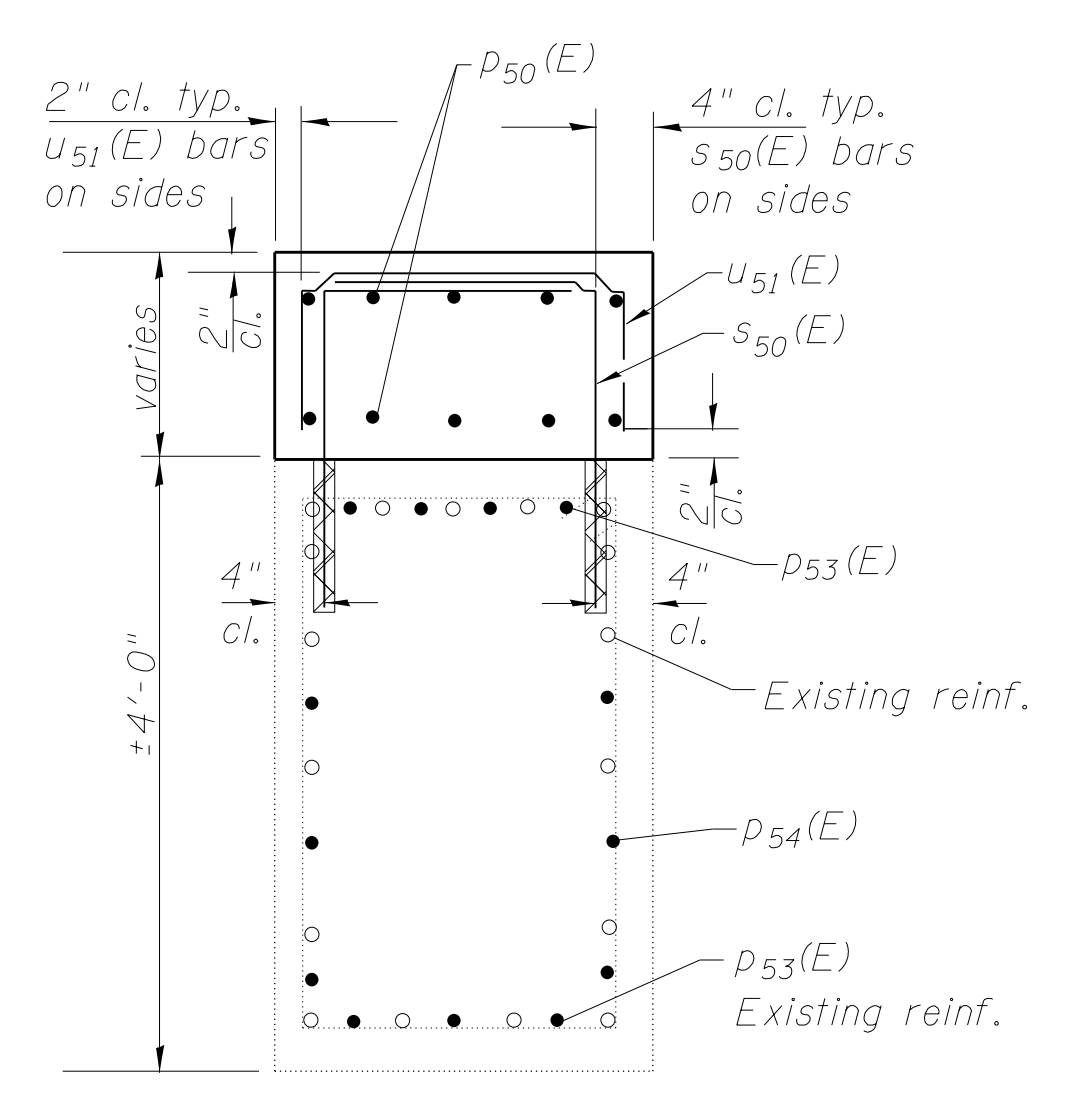


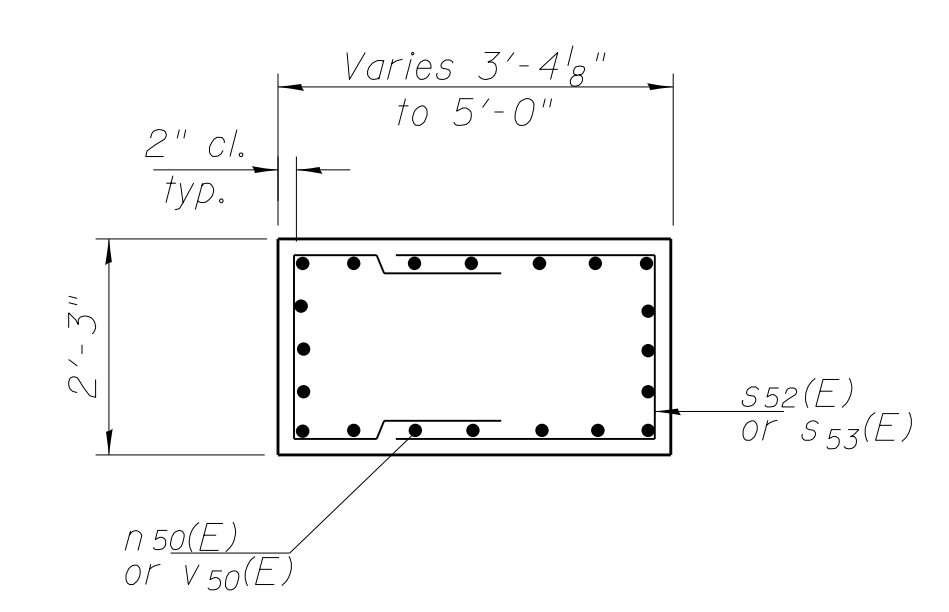
Notes:  
 ΔEpoxy grout bars into 9" minimum drilled holes according to Section 584 of the Standard Specifications. Holes shall be approximately 4" from edge of existing member to avoid existing longitudinal reinforcement. Cost included in Reinforcement Bars, Epoxy Coated.



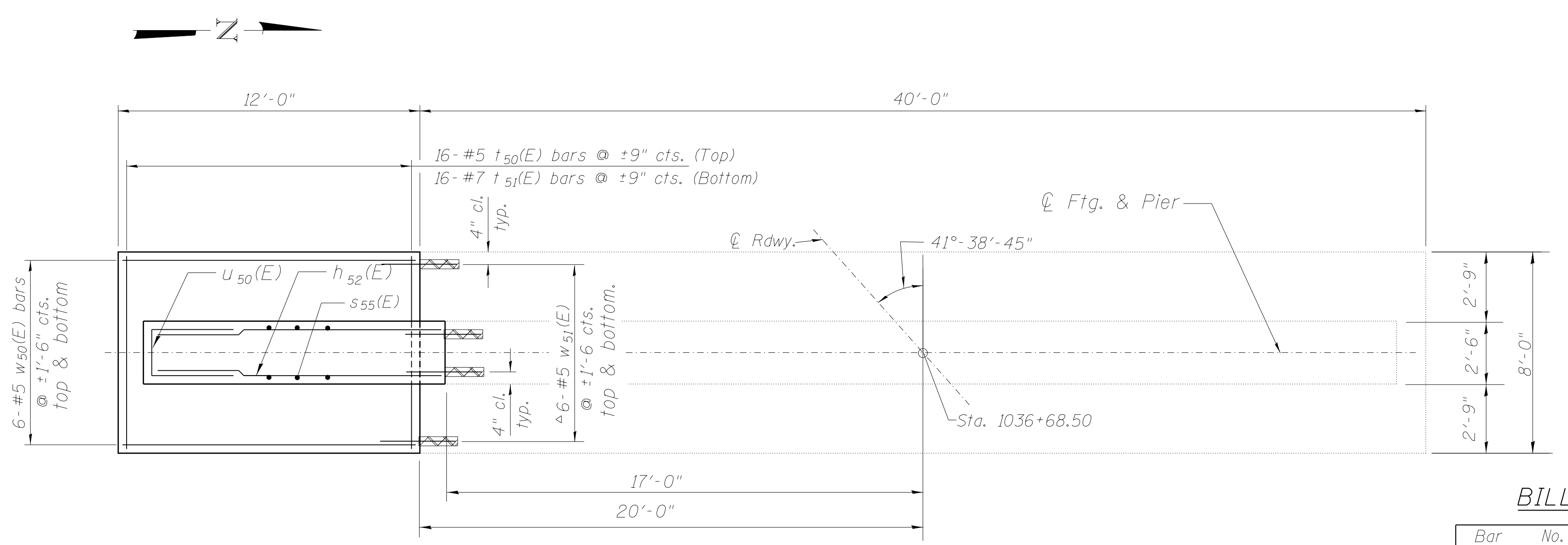
SECTION A-A



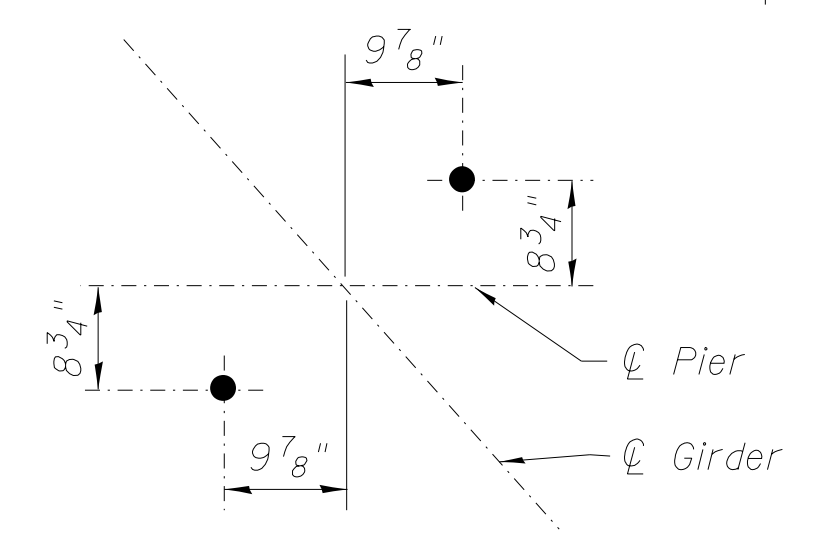
SECTION B-B



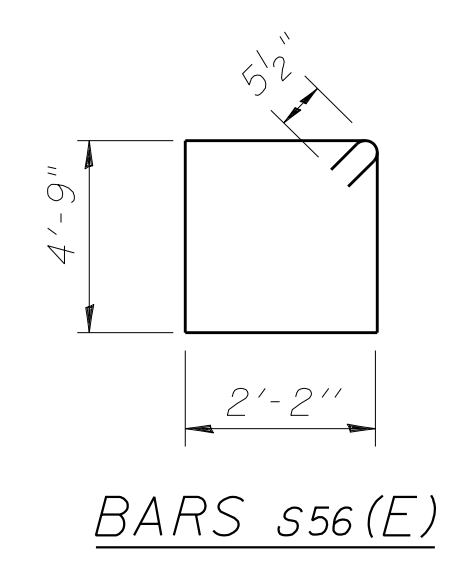
SECTION C-C



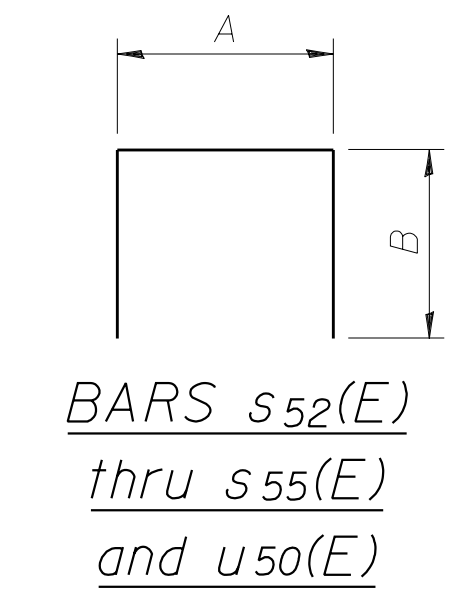
FOOTING PLAN



ANCHOR BOLT LAYOUT



BARS s56(E)

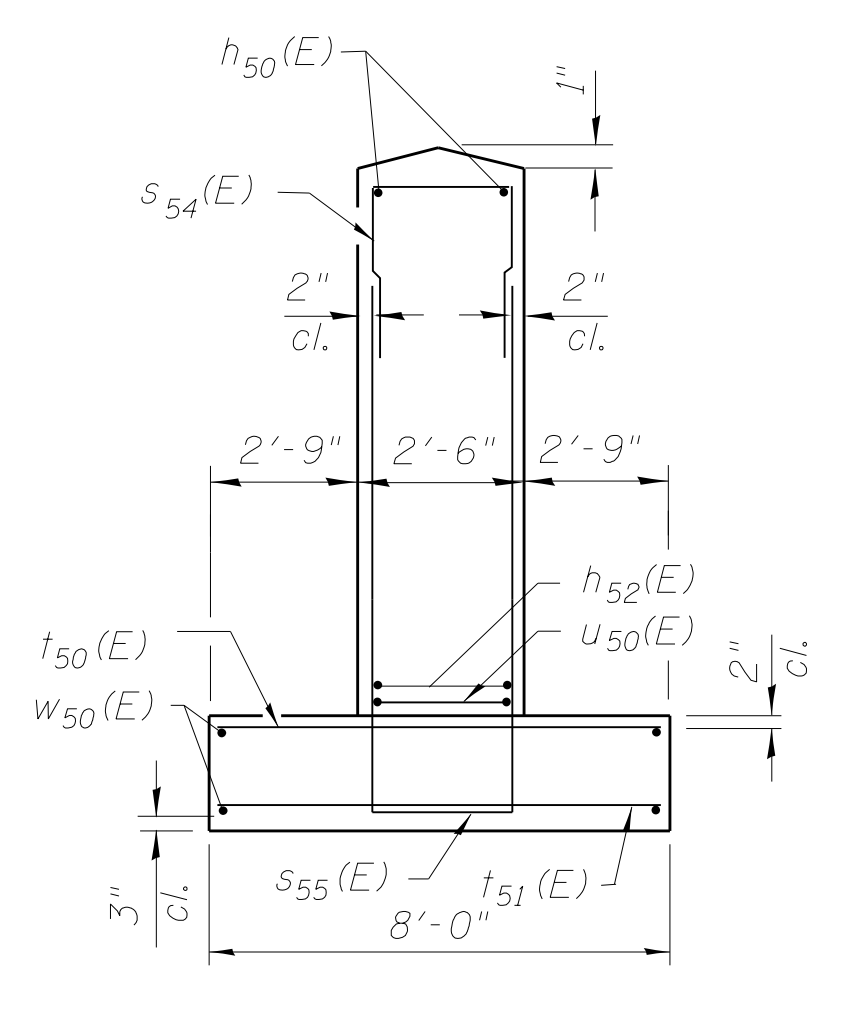


BARS s52(E) thru s55(E) and u50(E)

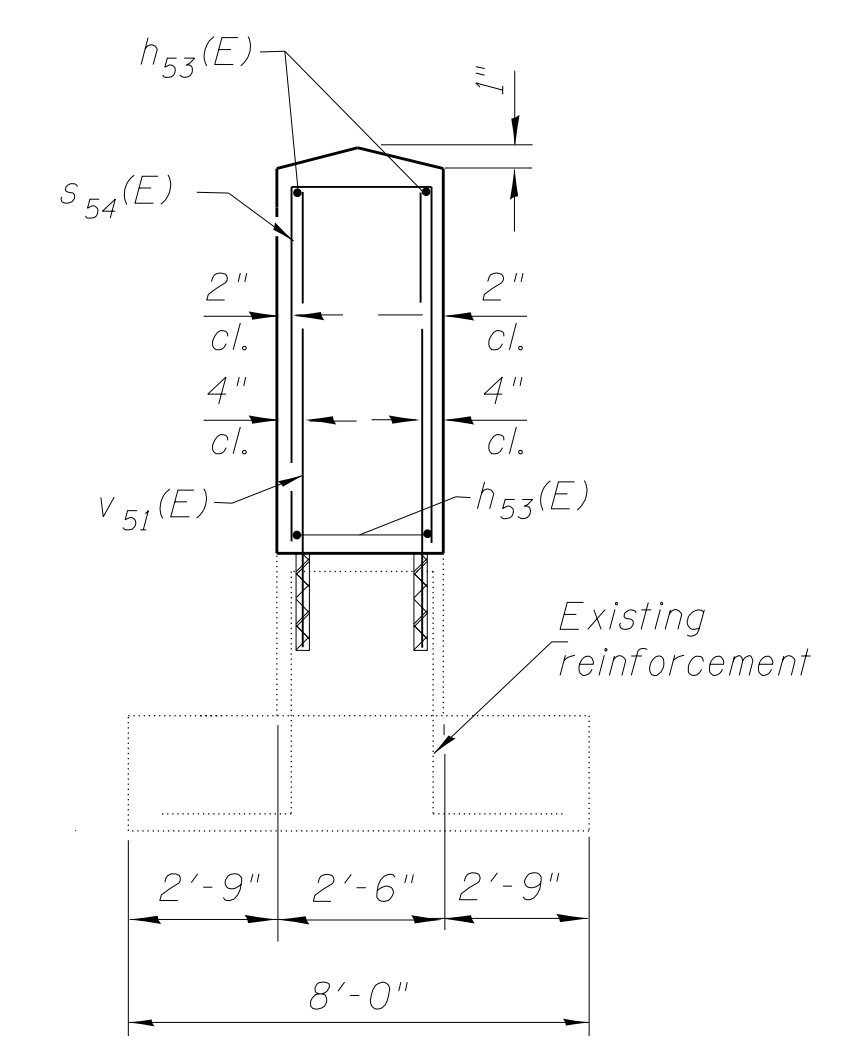
A & B DIMENSIONS

Bar	A	B
s52(E)	1'-11"	3'-5"
s53(E)	1'-11"	3'-0"
s54(E)	2'-2"	3'-0"
s55(E)	2'-2"	8'-1"
u50(E)	2'-1"	4'-0"
u51(E)	2'-2"	7"

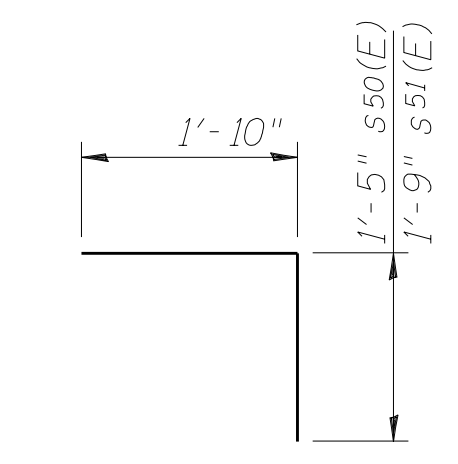
Minimum bar laps:  
 #4 2'-1"  
 #5 2'-7"  
 #6 3'-1"



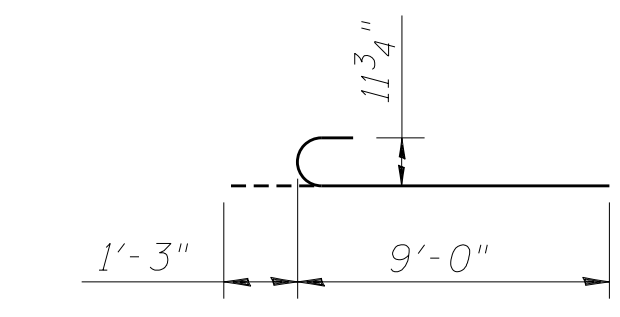
SECTION D-D



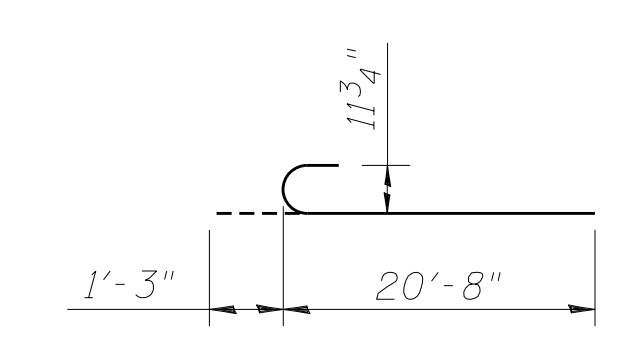
SECTION E-E



BARS s50(E) and s51(E)



BARS n50(E)

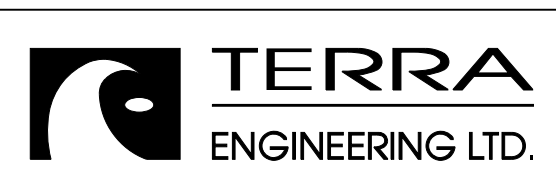


BARS v50(E)

BILL OF MATERIAL

Bar	No.	Size	Length	Shape
h50(E)	10	#5	13'-5"	—
h51(E)	18	#5	3'-8"	—
h52(E)	8	#5	11'-8"	—
h53(E)	10	#5	11'-10"	—
n50(E)	20	#9	10'-3"	U
p50(E)	10	#6	30'-2"	—
p51(E)	5	#6	24'-8"	—
p52(E)	7	#6	12'-8"	—
p53(E)	7	#6	4'-0"	—
p54(E)	6	#5	3'-5"	—
p55(E)	5	#5	6'-7"	—
p56(E)	6	#5	12'-8"	—
p57(E)	5	#9	24'-8"	—
s50(E)	70	#5	3'-3"	I
s51(E)	16	#5	3'-7"	└
s52(E)	20	#4	8'-9"	□
s53(E)	18	#4	7'-11"	□
s54(E)	45	#5	8'-2"	□
s55(E)	20	#9	18'-4"	□
s56(E)	14	#5	14'-9"	□
t50(E)	16	#5	7'-8"	—
t51(E)	16	#7	7'-8"	—
u50(E)	16	#6	10'-11"	□
u51(E)	44	#4	3'-4"	□
v50(E)	20	#9	21'-11"	U
v51(E)	50	#9	4'-8"	—
w50(E)	12	#5	11'-8"	—
w51(E)	12	#5	3'-3"	—
Structure Excavation		Cu. Yd.	60	
Concrete Structures		Cu. Yd.	37.3	
Reinforcement Bars, Epoxy Coated		Pound	8060	
Concrete Removal		Cu. Yd.	2.2	

M:\1\_57\_DIVER CNRR & BLDG 45\Drawings\Structural\Final Plans\SHS\0366942-049.pier-1 Detail-B-South Structure\_NB.dgn



USER NAME =	DESIGNED - EA	REVISED
	CHECKED - OY	REVISED
PLOT SCALE =	DRAWN - CM	REVISED
PLOT DATE	CHECKED - JB	REVISED

STATE OF ILLINOIS  
 DEPARTMENT OF TRANSPORTATION

PIER 1 - NORTHBOUND  
 STRUCTURE NOS. 038 - 0013 & 0014

SHEET NO. S49 OF S71 SHEETS

F.A.I. RTE.	SECTION	COUNTY	TOTAL SHEETS	SHEET NO.
57	38-2HVB, HVBR-1	IROQUOIS	146	88
			CONTRACT NO. 66942	
ILLINOIS FED. AID PROJECT				