

Notes:

At areas of Concrete Removal, the existing reinforcement extending into the areas of new construction shall be cleaned, straightened and incorporated into the new construction. Included in cost of Concrete Removal.

See next sheet for footing plan, details of reinforcement, bill of material and sections.

△ Epoxy grout bars into 9" minimum drilled holes according to Section 584 of the Standard Specifications. Holes shall be approximately 4" from edge of existing member to avoid existing longitudinal reinforcement. Cost included in Reinforcement Bars, Epoxy Coated.

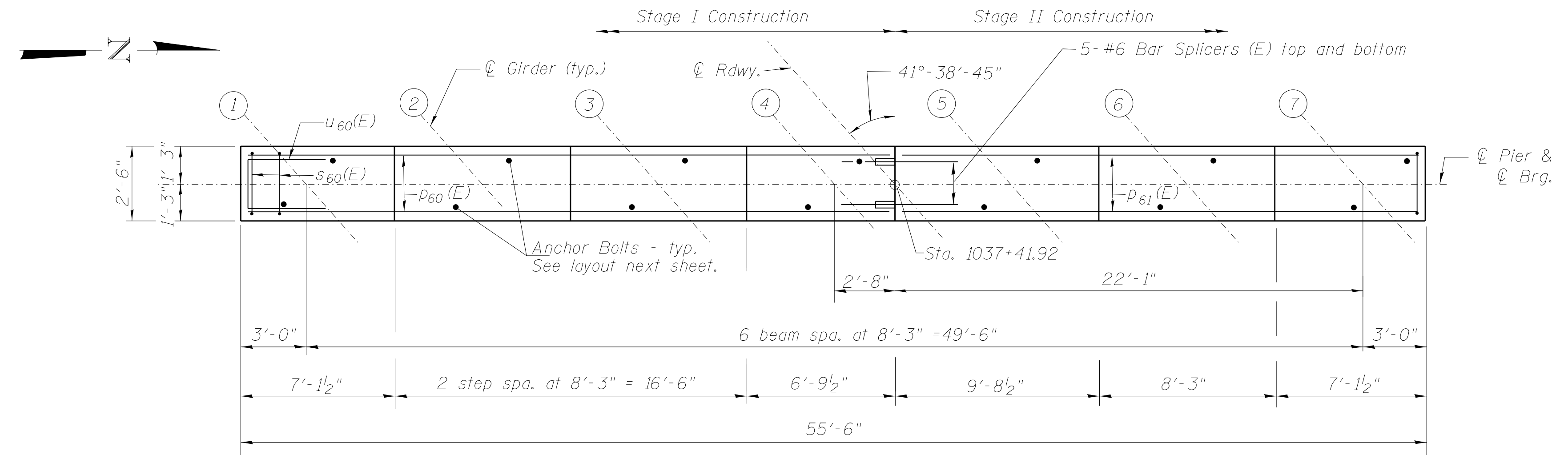
Pour steps monolithically with cap.

Space reinforcement in cap to miss anchor bolts.

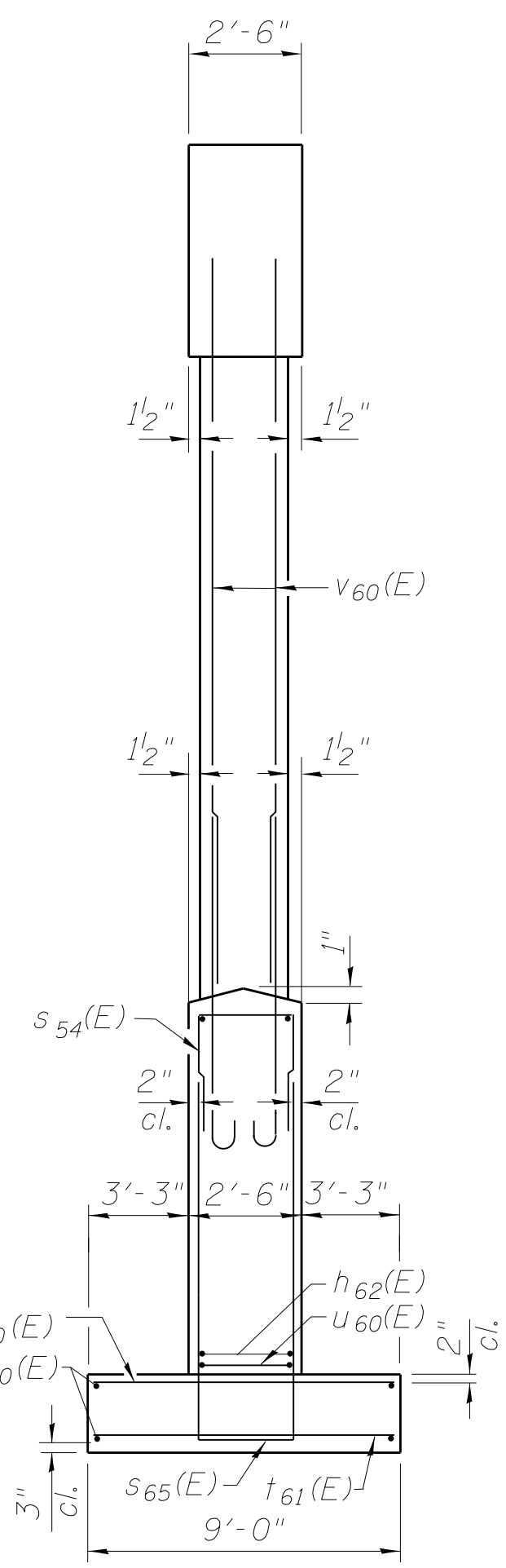
Maximum applied service bearing pressure, Q_{max} = 7.0 kips/sq. ft.

Contractor shall measure existing structure and determine exact length for ± dimensions prior to ordering reinforcing steel.

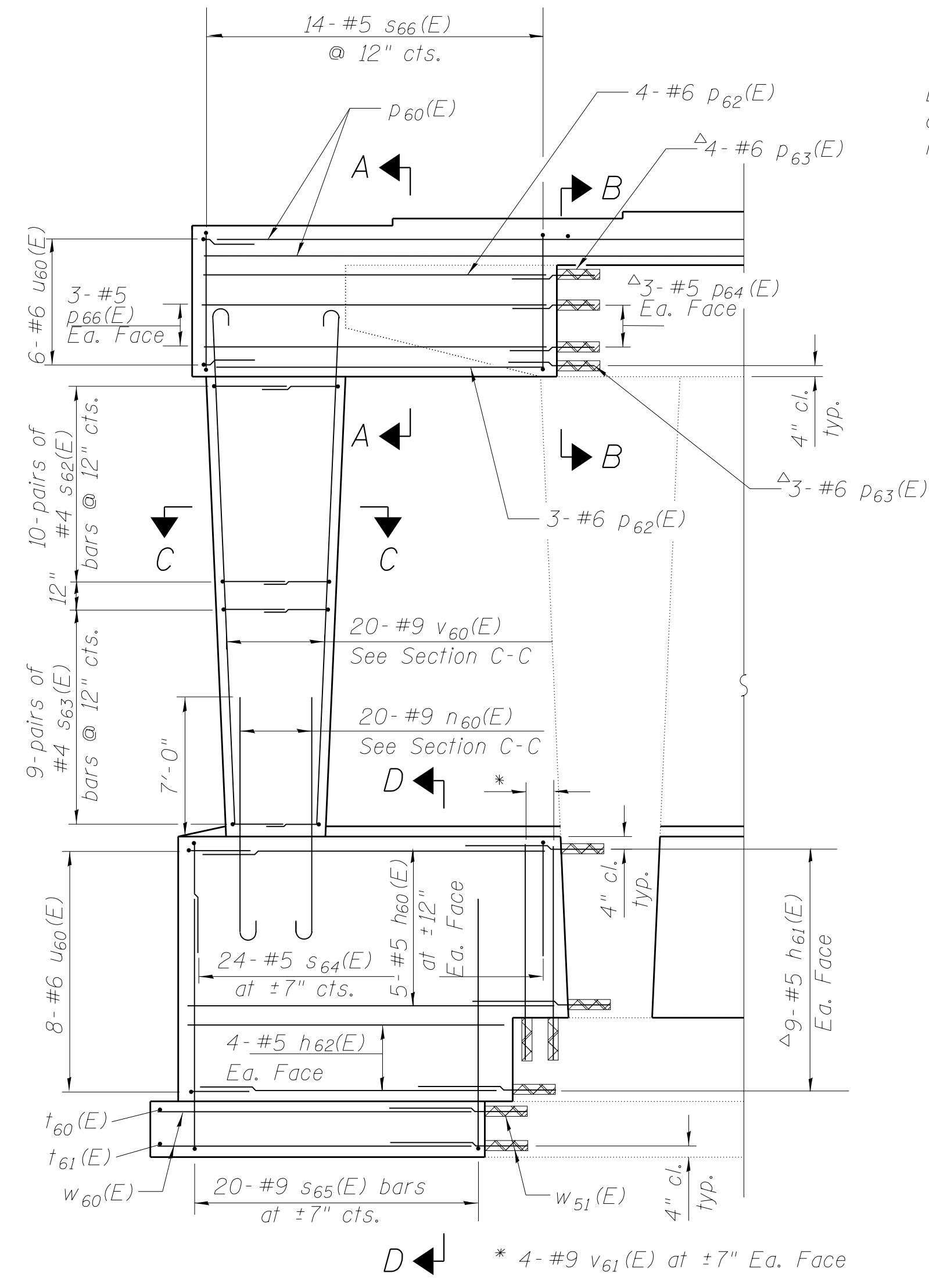
All new concrete above the footing shall have Concrete Sealer applied to all top and side surfaces.



TOP PLAN



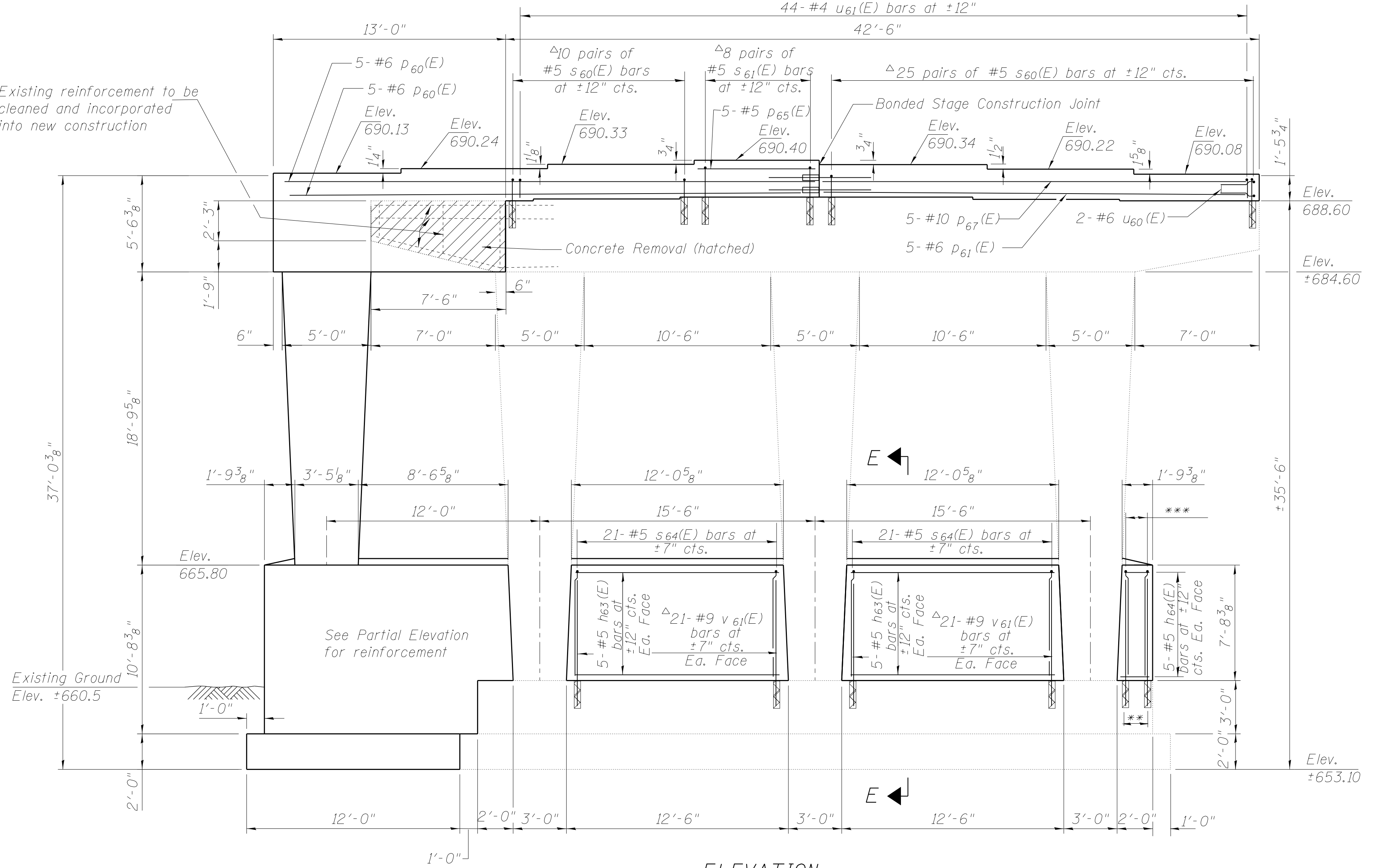
END VIEW



PARTIAL ELEVATION - SOUTH END

(Looking West)

Existing reinforcement to be cleaned and incorporated into new construction

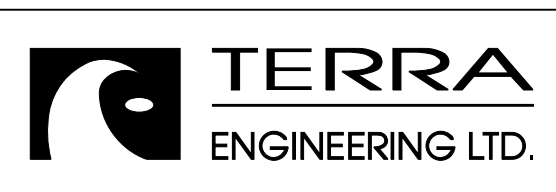


ELEVATION

(Looking West)

△** 4-#9 v61(E) at ±7" Ea. Face
 *** 4-#5 s64(E) bars at ±7" cts.

M:\17_OVERVIEW\CNR & OLD 45\Drawings\Structural\Final Plans\SHS\0365942-050\pier-2 Detail-A-South Structure_NB.dgn



USER NAME =	DESIGNED - EA	REVISED
	CHECKED - OY	REVISED
PLOT SCALE =	DRAWN - CM	REVISED
PLOT DATE	CHECKED - JB	REVISED

STATE OF ILLINOIS
 DEPARTMENT OF TRANSPORTATION

PIER 2 - NORTHBOUND
 STRUCTURE NOS. 038 - 0013 & 0014

SHEET NO. S50 OF S71 SHEETS

F.A.I. RT.	SECTION	COUNTY	TOTAL SHEETS	SHEET NO.
57	38-2HVB, HVBR-1	IROQUOIS	146	89
CONTRACT NO. 66942				

ILLINOIS FED. AID PROJECT