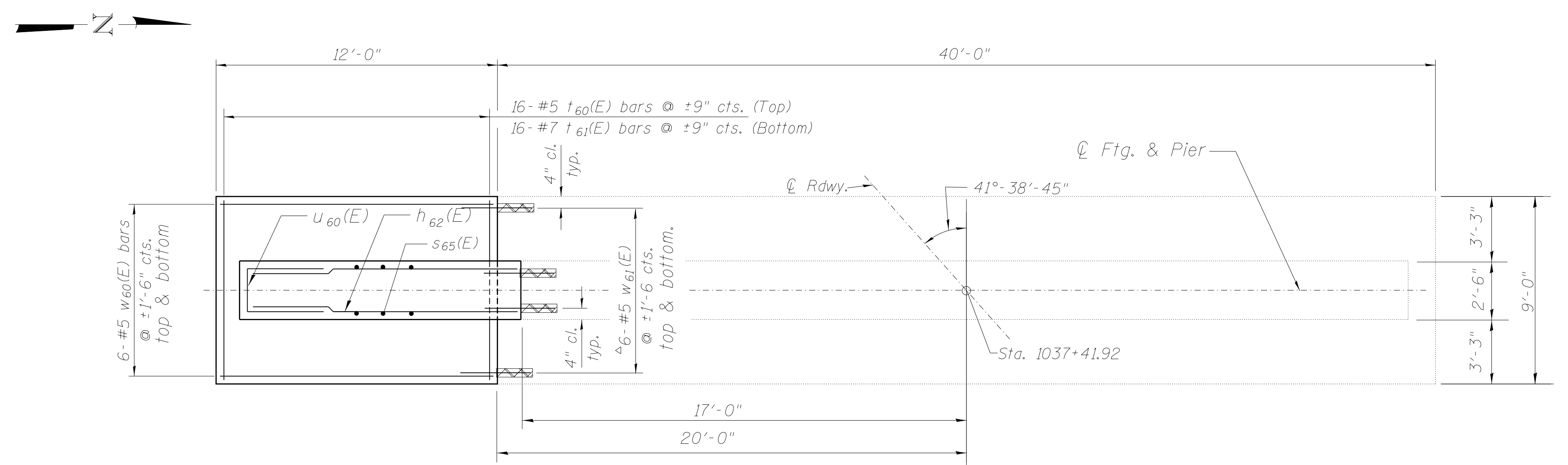
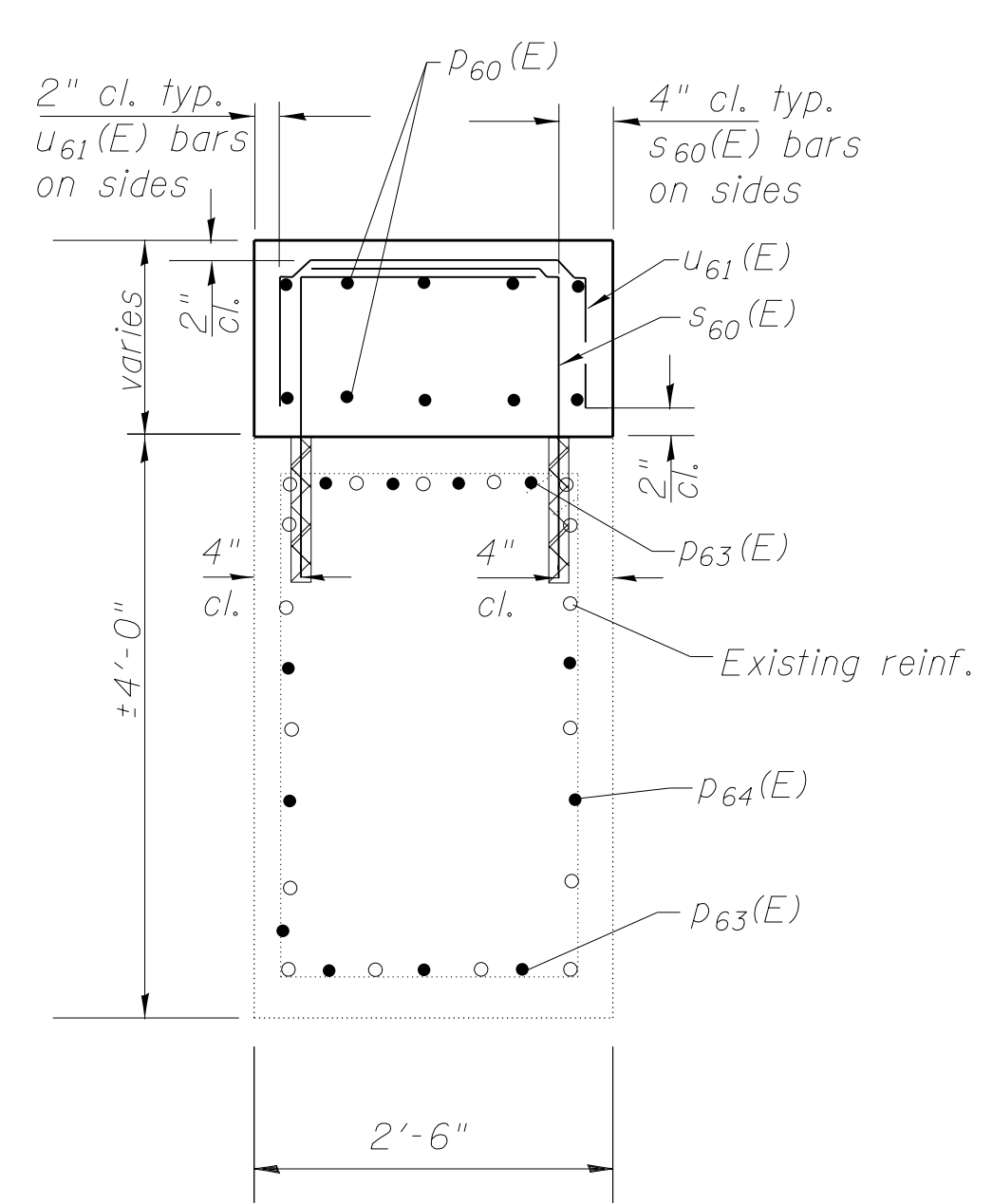


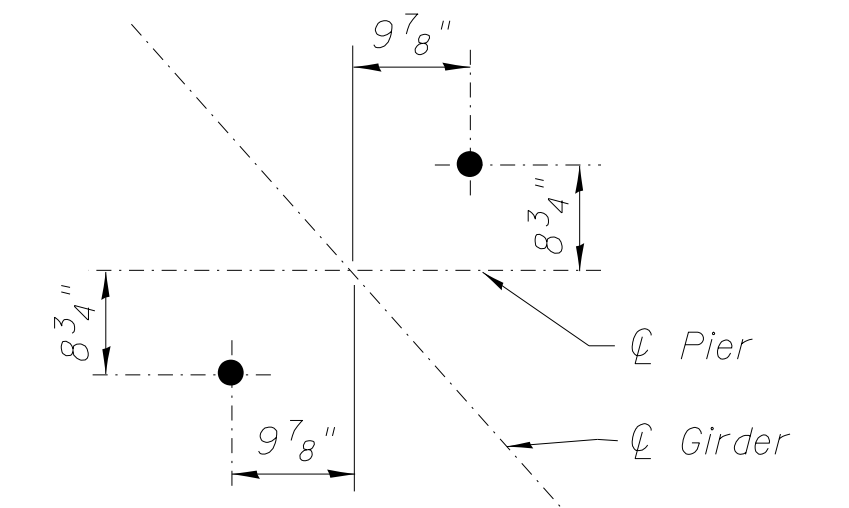
SECTION A-A



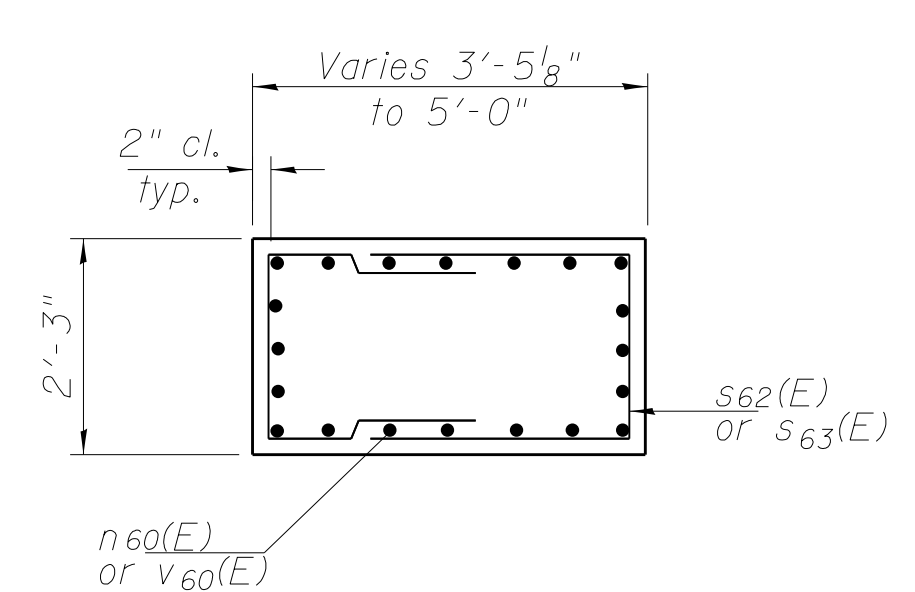
FOOTING PLAN



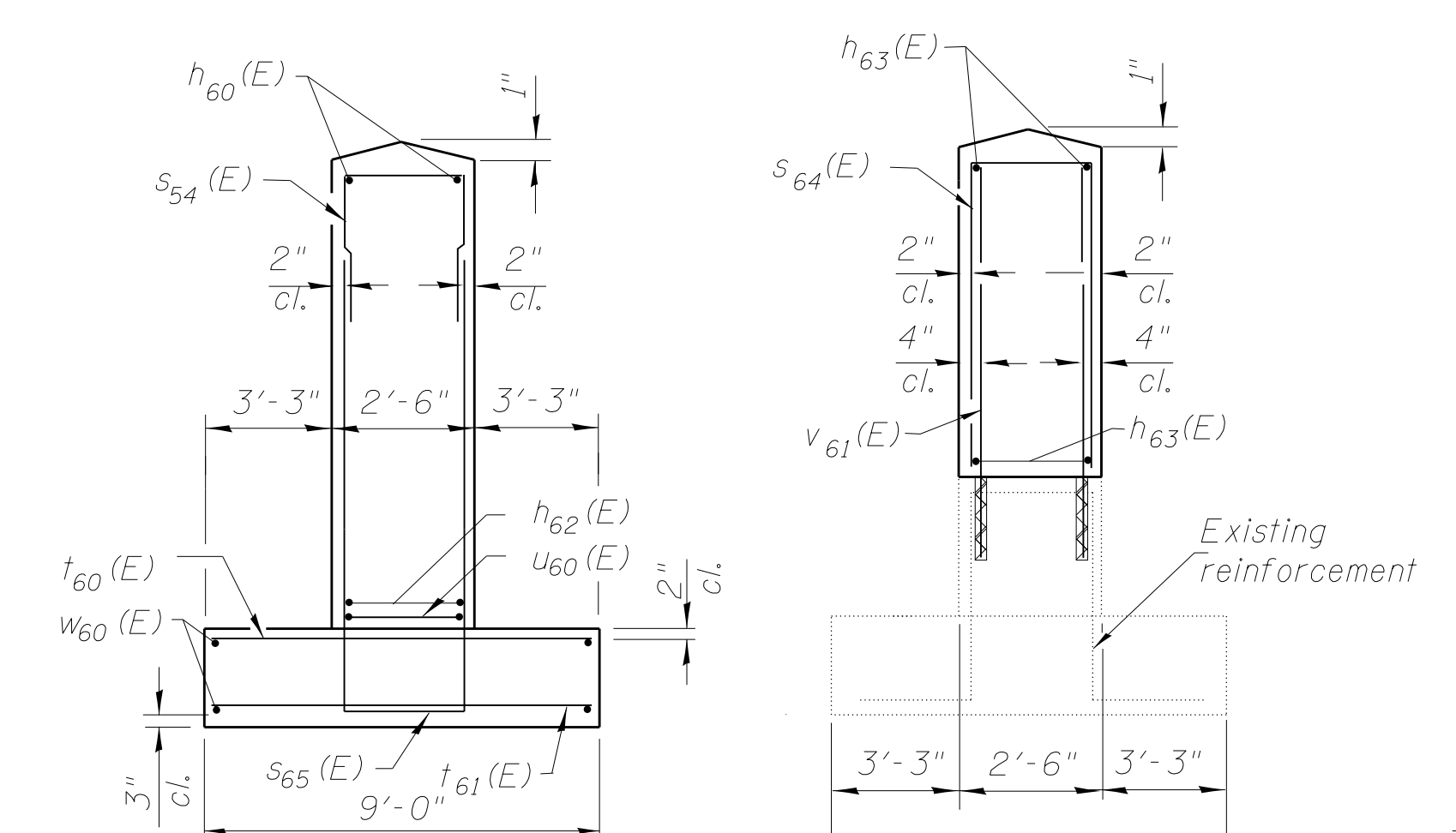
SECTION B-B



ANCHOR BOLT LAYOUT

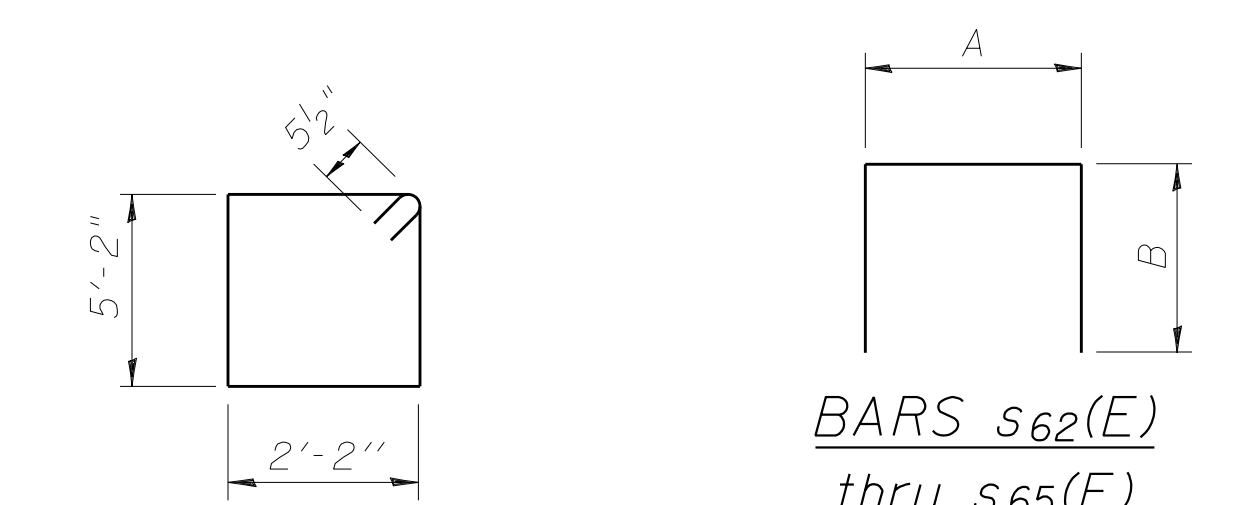


SECTION C-C



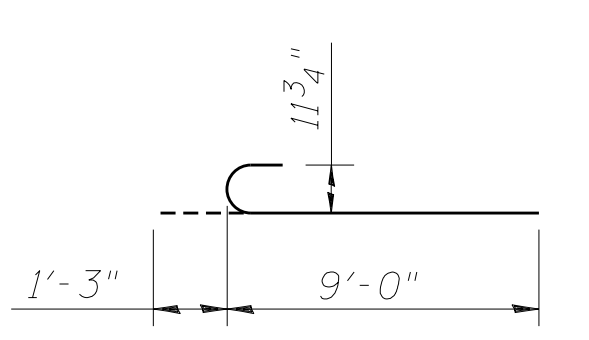
SECTION D-D

SECTION E-E

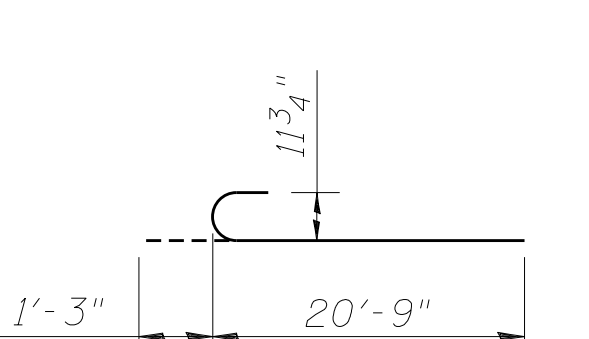


BARS s66(E)

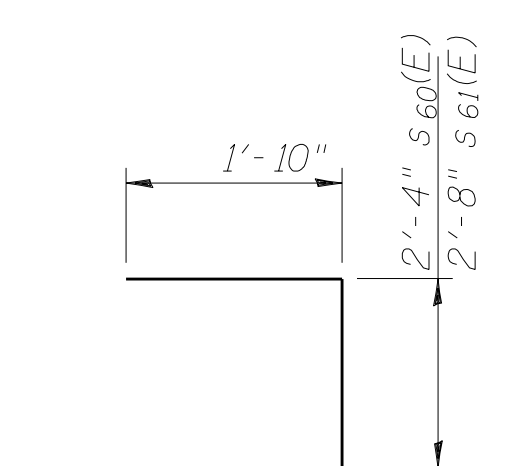
BARS s62(E) thru s65(E) and u60(E)



BARS n60(E)



BARS v60(E)



BARS s60(E) and s61(E)

A & B DIMENSIONS

Bar	A	B
s62(E)	1'-11"	3'-5"
s63(E)	1'-11"	3'-0"
s64(E)	2'-2"	7'-4"
s65(E)	2'-2"	11'-6"
u60(E)	2'-1"	4'-0"
u61(E)	2'-2"	1'-2"

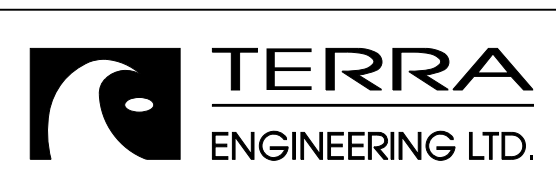
BILL OF MATERIAL

Bar	No.	Size	Length	Shape
h60(E)	10	#5	13'-5"	—
h61(E)	18	#5	3'-8"	—
h62(E)	8	#5	11'-8"	—
h63(E)	20	#5	11'-9"	—
h64(E)	10	#5	1'-6"	—
n60(E)	20	#9	10'-3"	—
p60(E)	10	#6	30'-2"	—
p61(E)	5	#6	24'-8"	—
p62(E)	7	#6	12'-8"	—
p63(E)	7	#6	4'-0"	—
p64(E)	6	#5	3'-5"	—
p65(E)	5	#5	6'-7"	—
p66(E)	6	#5	12'-8"	—
p67(E)	5	#9	24'-8"	—
s60(E)	70	#5	4'-2"	┌
s61(E)	16	#5	4'-6"	┌
s62(E)	20	#4	8'-9"	┌
s63(E)	18	#4	7'-11"	┌
s64(E)	70	#5	12'-2"	┌
s65(E)	20	#9	25'-2"	┌
s66(E)	14	#5	15'-7"	┌
t60(E)	16	#5	8'-8"	—
t61(E)	16	#7	8'-8"	—
u60(E)	16	#6	10'-11"	┌
u61(E)	44	#4	4'-6"	┌
v60(E)	20	#9	22'-0"	—
v61(E)	100	#9	8'-0"	—
w60(E)	12	#5	11'-8"	—
w61(E)	12	#5	3'-3"	—
Structure Excavation		Cu. Yd.	57	
Concrete Structures		Cu. Yd.	51.8	
Reinforcement Bars, Epoxy Coated		Pound	10,990	
Concrete Removal		Cu. Yd.	2.2	
Concrete Sealer		Sq. Ft.	1456	

Minimum bar laps:
 #4 2'-1"
 #5 2'-7"
 #6 3'-1"

Notes:
 ^Epoxy grout bars into 9" minimum drilled holes according to Section 584 of the Standard Specifications. Holes shall be approximately 4" from edge of existing member to avoid existing longitudinal reinforcement. Cost included in Reinforcement Bars, Epoxy Coated.

M:\1_57_OVER CNRR & OLD 45\Drawings\Structural\Final Plans\SHS\0366942-051\p1er 2 Detail-B-South Structure_NB.dgn



USER NAME =	DESIGNED - EA	REVISED
PLOT SCALE =	CHECKED - OY	REVISED
PLOT DATE	DRAWN - CM	REVISED
	CHECKED - JB	REVISED

STATE OF ILLINOIS
 DEPARTMENT OF TRANSPORTATION

PIER 2 - NORTHBOUND
 STRUCTURE NOS. 038 - 0013 & 0014
 SHEET NO. S51 OF S71 SHEETS

F.A.I. RTE.	SECTION	COUNTY	TOTAL SHEETS	SHEET NO.
57	38-2HWB, HVBR-1	IROQUOIS	146	90
				CONTRACT NO. 66942
ILLINOIS FED. AID PROJECT				