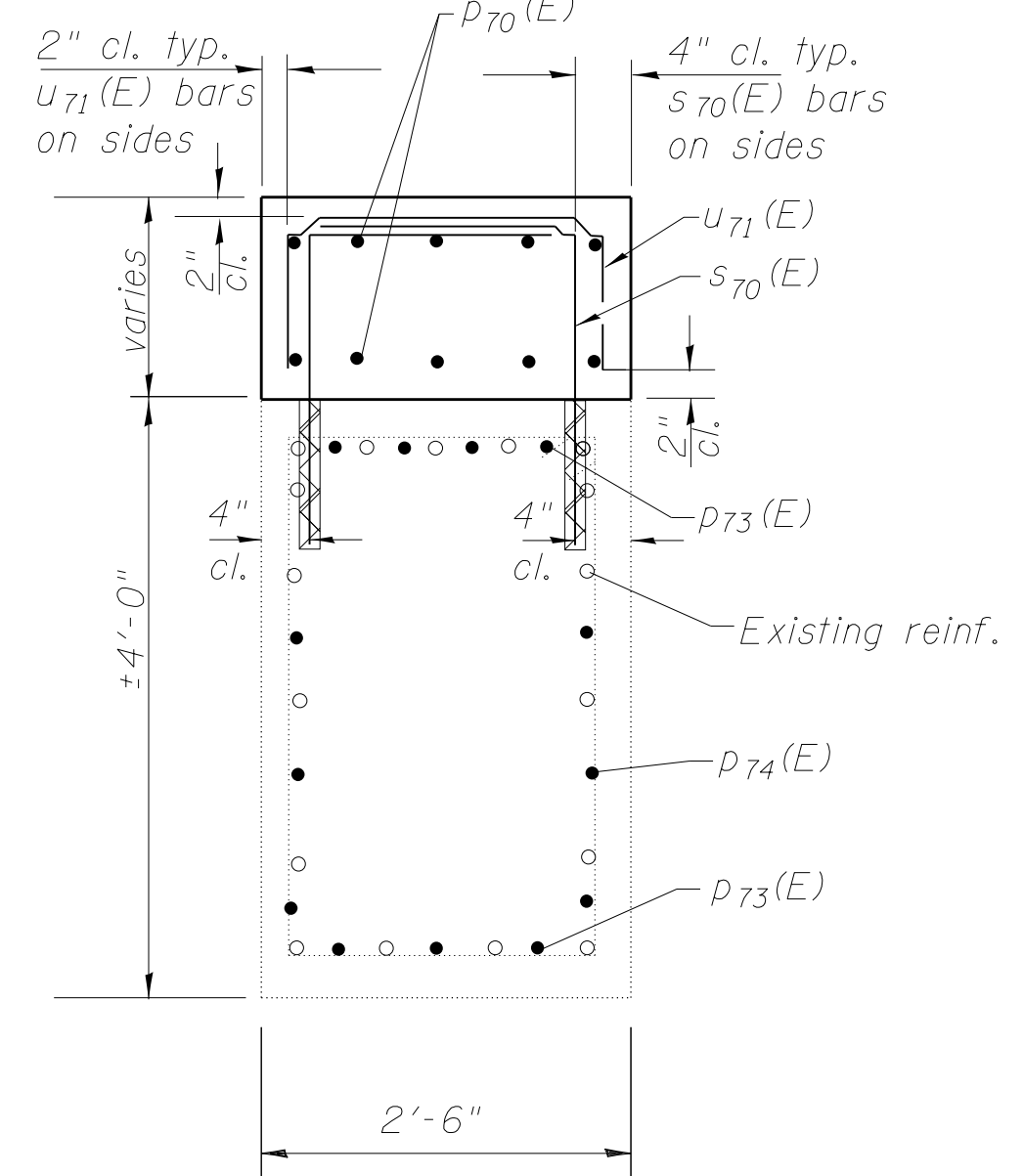
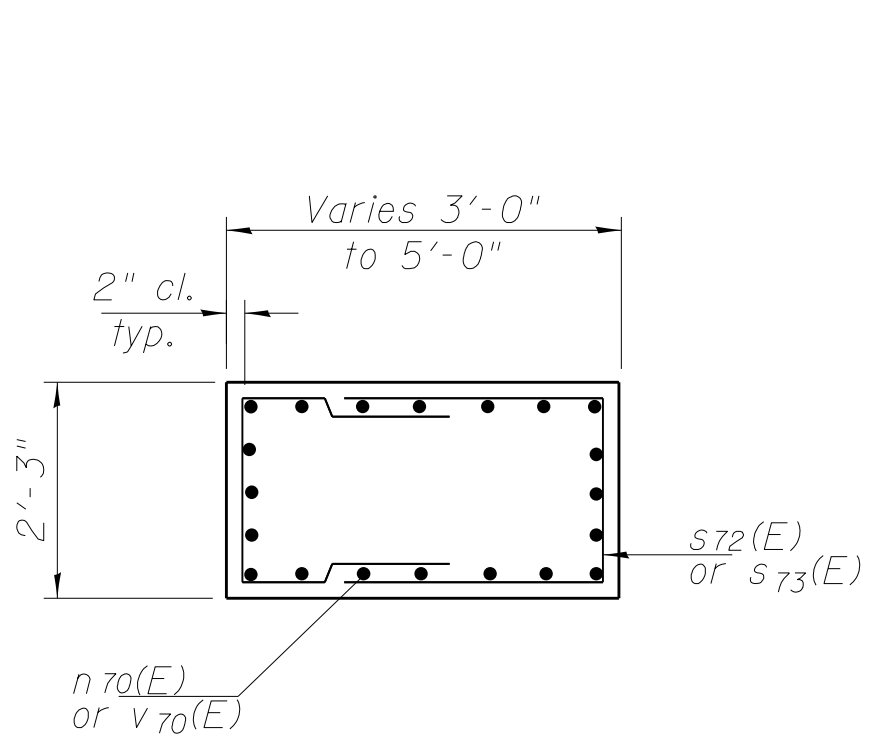


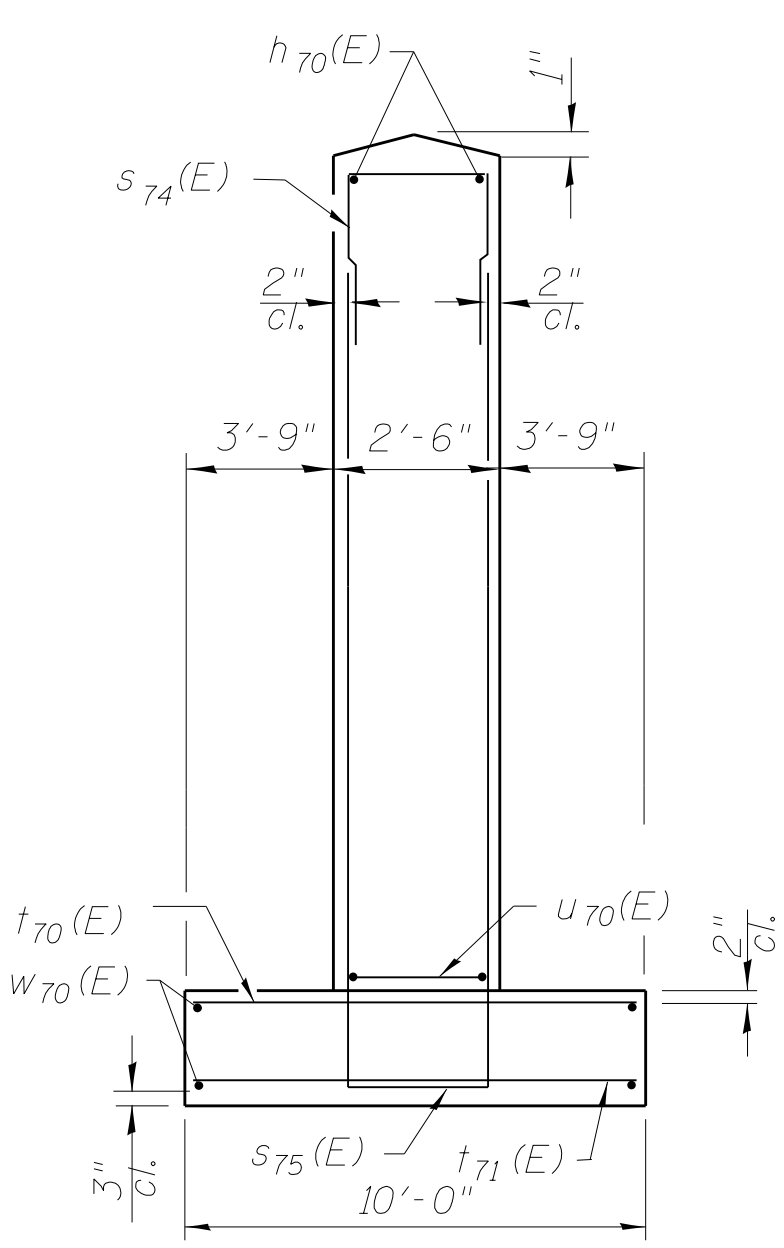
SECTION A-A



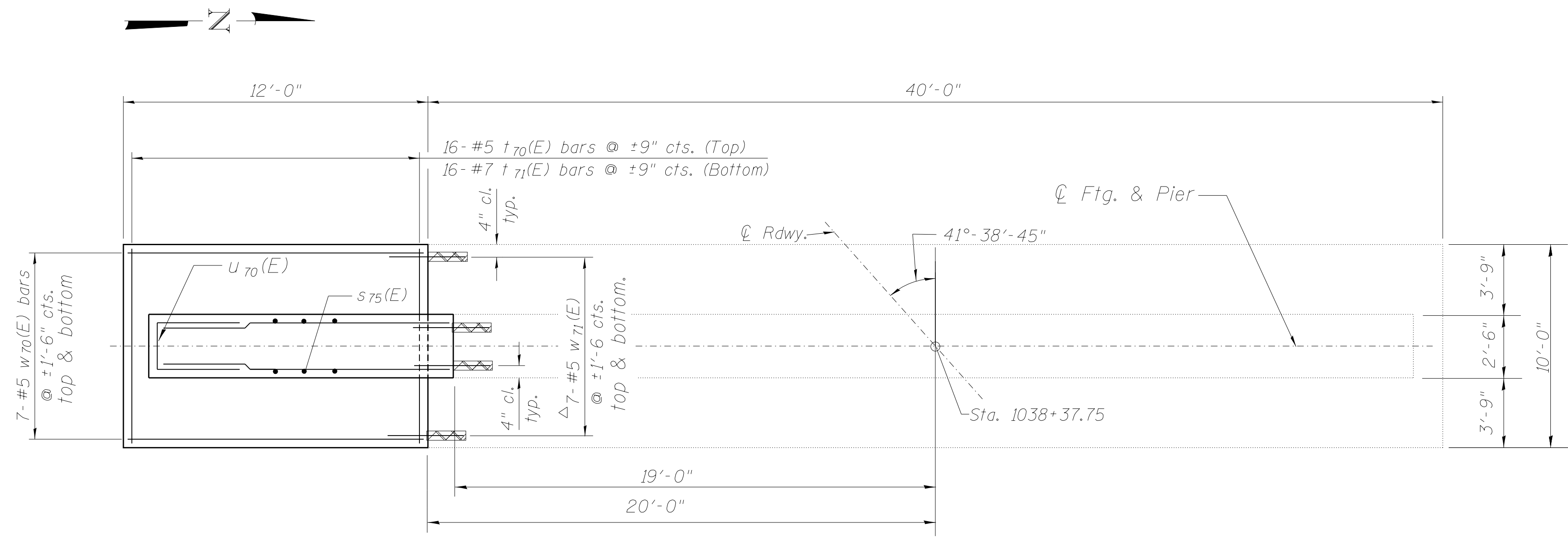
SECTION B-B



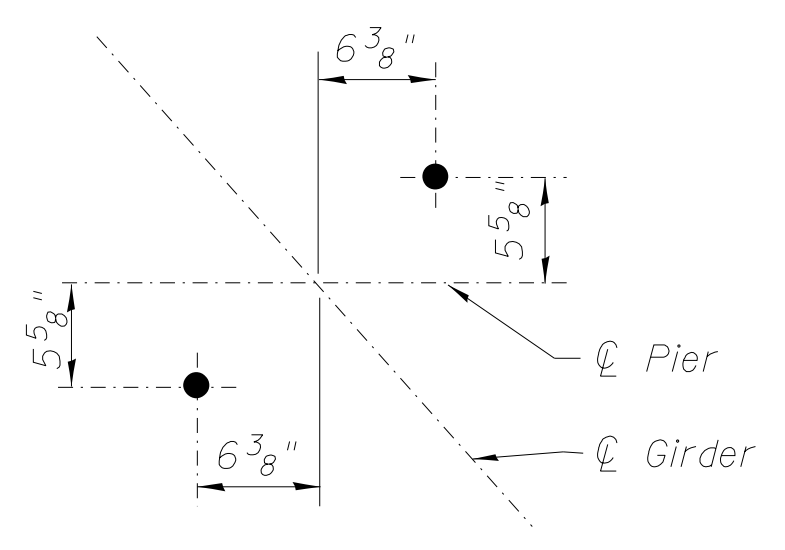
SECTION C-C



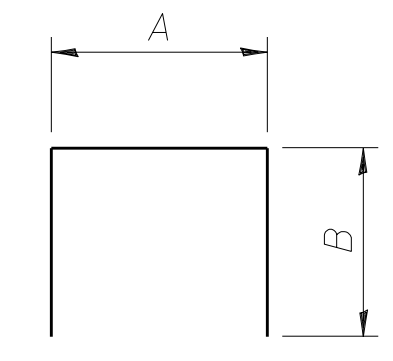
SECTION D-D



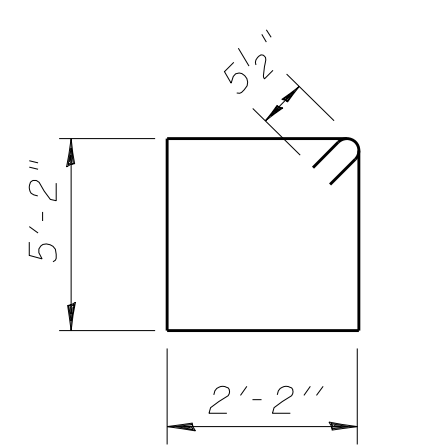
FOOTING PLAN



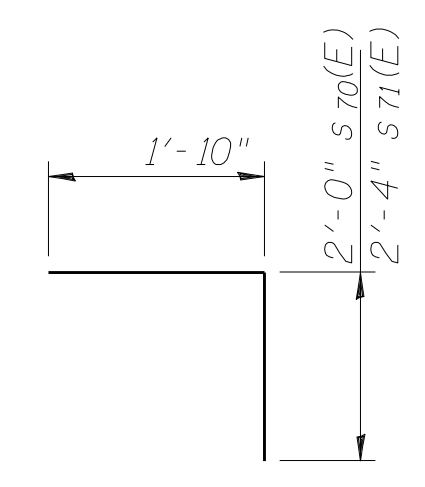
ANCHOR BOLT LAYOUT



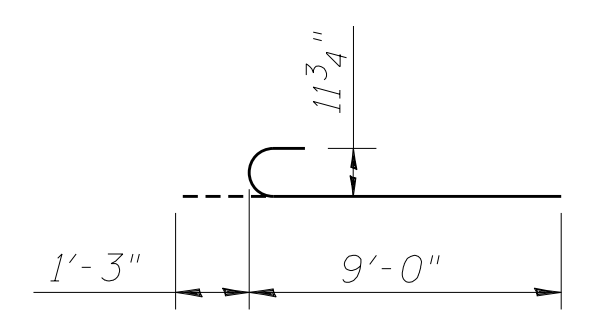
BARS s72(E) thru s75(E) and u70(E)



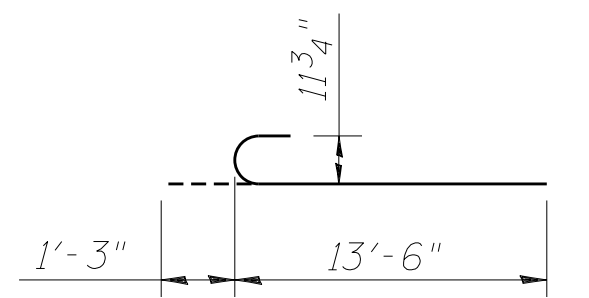
BARS s76(E)



BARS s70(E) and s71(E)



BARS n70(E)



BARS v70(E)

Minimum bar laps:
 #4 2'-1"
 #5 2'-7"
 #6 3'-1"

A & B DIMENSIONS

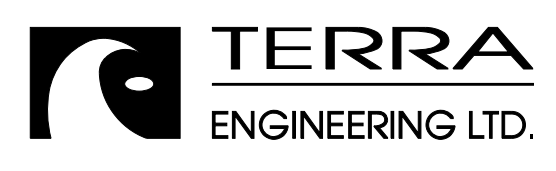
Bar	A	B
s72(E)	1'-11"	3'-5"
s73(E)	1'-11"	3'-0"
s74(E)	2'-2"	3'-0"
s75(E)	2'-2"	17'-9"
u70(E)	2'-1"	4'-0"
u71(E)	2'-2"	1'-3"

Notes:
 ΔEpoxy grout bars into 9" minimum drilled holes according to Section 584 of the Standard Specifications. Holes shall be approximately 4" from edge of existing member to avoid existing longitudinal reinforcement. Cost included in Reinforcement Bars, Epoxy Coated.

BILL OF MATERIAL

Bar	No.	Size	Length	Shape
h70(E)	36	#5	13'-5"	—
h71(E)	38	#5	4'-2"	—
n70(E)	20	#9	10'-3"	⌋
p70(E)	10	#6	30'-2"	—
p71(E)	5	#6	24'-8"	—
p72(E)	7	#6	12'-8"	—
p73(E)	7	#6	4'-0"	—
p74(E)	6	#5	3'-5"	—
p75(E)	5	#5	6'-7"	—
p76(E)	6	#5	12'-8"	—
p77(E)	5	#9	24'-8"	—
s70(E)	70	#5	3'-10"	┌
s71(E)	16	#5	4'-2"	┌
s72(E)	10	#4	8'-9"	┌
s73(E)	10	#4	7'-11"	┌
s74(E)	20	#5	8'-2"	┌
s75(E)	20	#9	37'-8"	┌
s76(E)	14	#5	15'-7"	┌
t70(E)	16	#4	9'-8"	—
t71(E)	16	#6	9'-8"	—
u70(E)	26	#6	10'-11"	┌
u71(E)	44	#4	4'-8"	┌
v70(E)	20	#9	14'-9"	⌋
w70(E)	14	#5	11'-8"	—
w71(E)	14	#5	3'-3"	—
Structure Excavation	Cu. Yd.		64	
Concrete Structures	Cu. Yd.		44.5	
Reinforcement Bars, Epoxy Coated	Pound		8270	
Concrete Removal	Cu. Yd.		2.2	

M:\1_57_OVER CNRR & OLD 45\Drawings\Coadd Drawings\Structural\Final Plans\SHS\0366942-053-pier_3 Detail-B-South Structure_NB.dgn



USER NAME =	DESIGNED - EA	REVISED
PLOT SCALE =	CHECKED - OY	REVISED
PLOT DATE	DRAWN - CM	REVISED
	CHECKED - JB	REVISED

STATE OF ILLINOIS
 DEPARTMENT OF TRANSPORTATION

PIER 3 - NORTHBOUND
 STRUCTURE NOS. 038 - 0013 & 0014

SHEET NO. S53 OF S71 SHEETS

F.A.I. RTE.	SECTION	COUNTY	TOTAL SHEETS	SHEET NO.
57	38-2HWB, HVBR-1	IROQUOIS	146	92
				CONTRACT NO. 66942
ILLINOIS FED. AID PROJECT				