

Notes:

At areas of Concrete Removal, the existing reinforcement extending into the areas of new construction shall be cleaned, straightened and incorporated into the new construction. Included in cost of Concrete Removal.

See next sheet for footing plan, details of reinforcement, bill of material and sections.

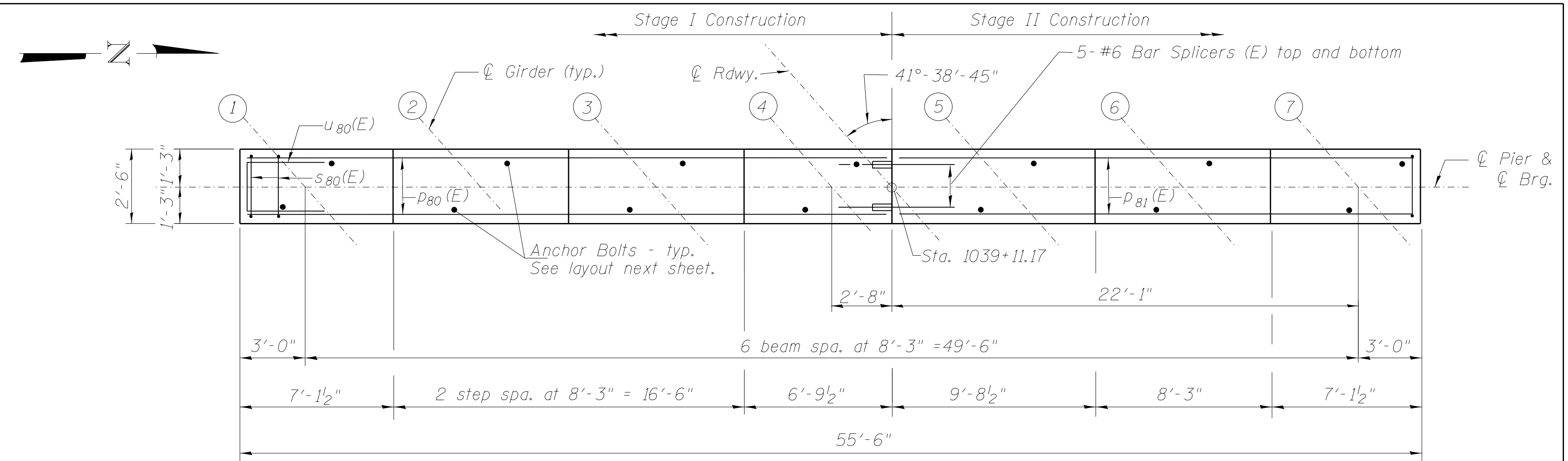
△Epoxy grout bars into 9" minimum drilled holes according to Section 584 of the Standard Specifications. Holes shall be approximately 4" from edge of existing member to avoid existing longitudinal reinforcement. Cost included in Reinforcement Bars, Epoxy Coated.

Pour steps monolithically with cap.

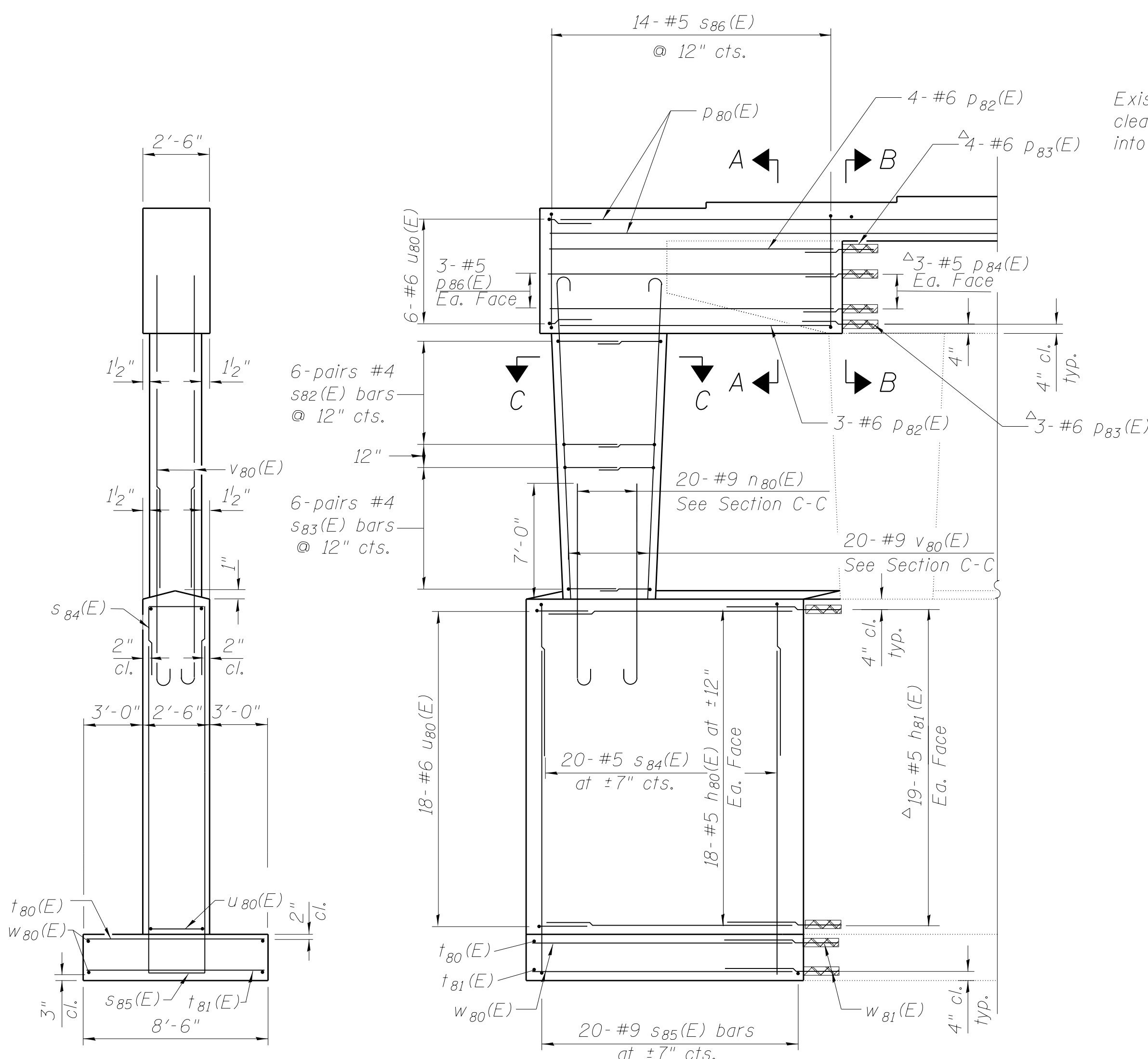
Space reinforcement in cap to miss anchor bolts.

Maximum applied service bearing pressure, Q_{max} = 6.8 kips/sq. ft.

Contractor shall measure existing structure and determine exact length for ± dimensions prior to ordering reinforcing steel.



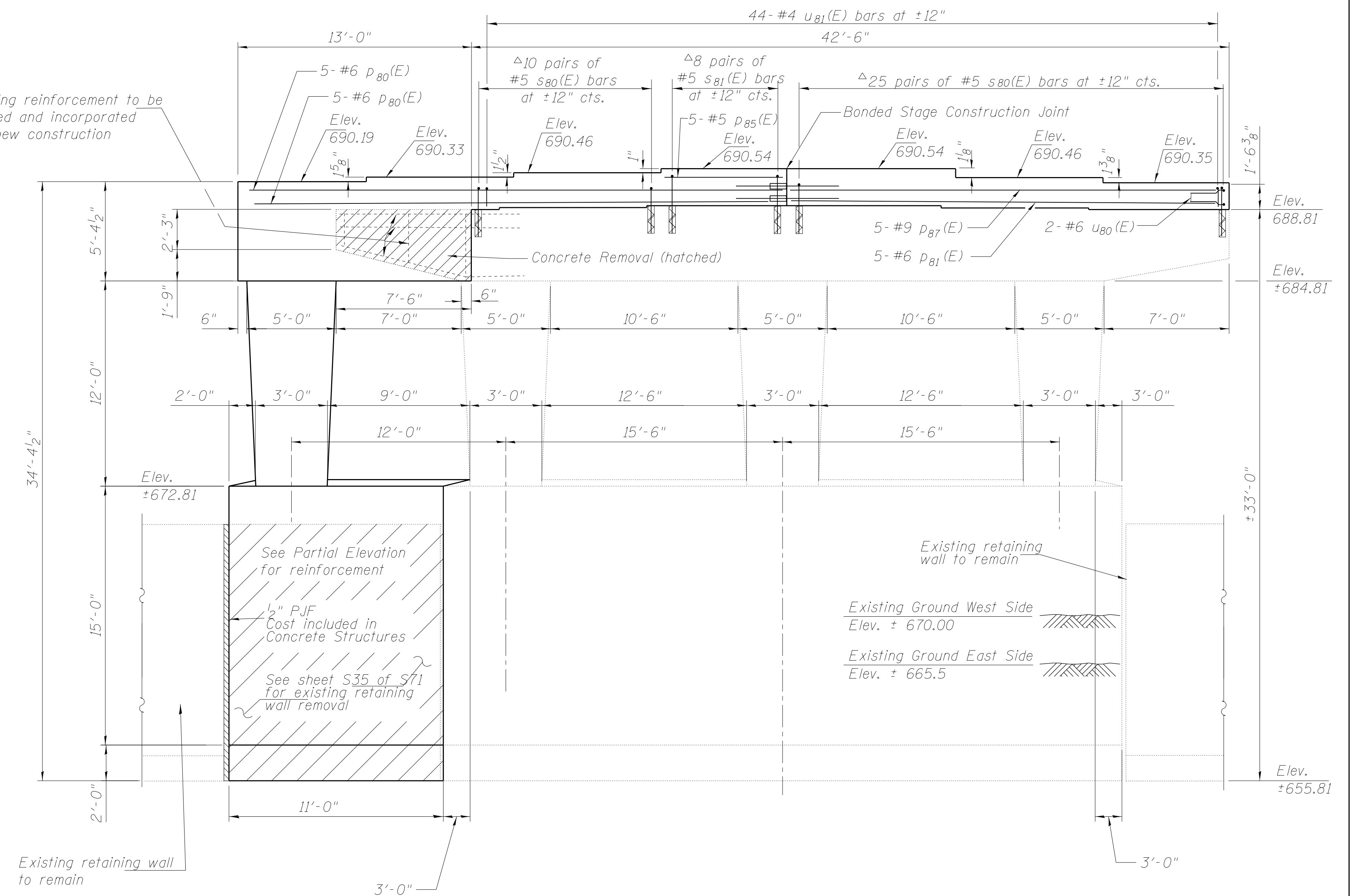
TOP PLAN



END VIEW

PARTIAL ELEVATION - SOUTH END

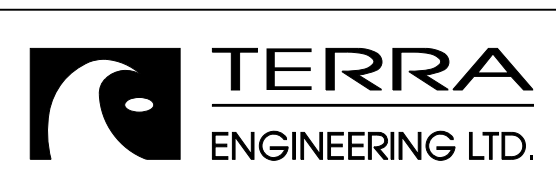
(Looking West)



ELEVATION

(Looking West)

M:\1_57_DRAWING\CNR & BLDG\45\Drawings\Structural\Final Plans\SHS\0366942-054-01-4-South Structure_NB.dwg



USER NAME =	DESIGNED - EA	REVISED
	CHECKED - OY	REVISED
PLOT SCALE =	DRAWN - CM	REVISED
PLOT DATE	CHECKED - JB	REVISED

STATE OF ILLINOIS
DEPARTMENT OF TRANSPORTATION

PIER 4 - NORTHBOUND
STRUCTURE NOS. 038 - 0013 & 0014

F.A.I. RTE.	SECTION	COUNTY	TOTAL SHEETS	SHEET NO.
57	38-2HWB, HVBR-1	IROQUOIS	146	93
CONTRACT NO. 66942				

SHEET NO. S54 OF S71 SHEETS

ILLINOIS FED. AID PROJECT