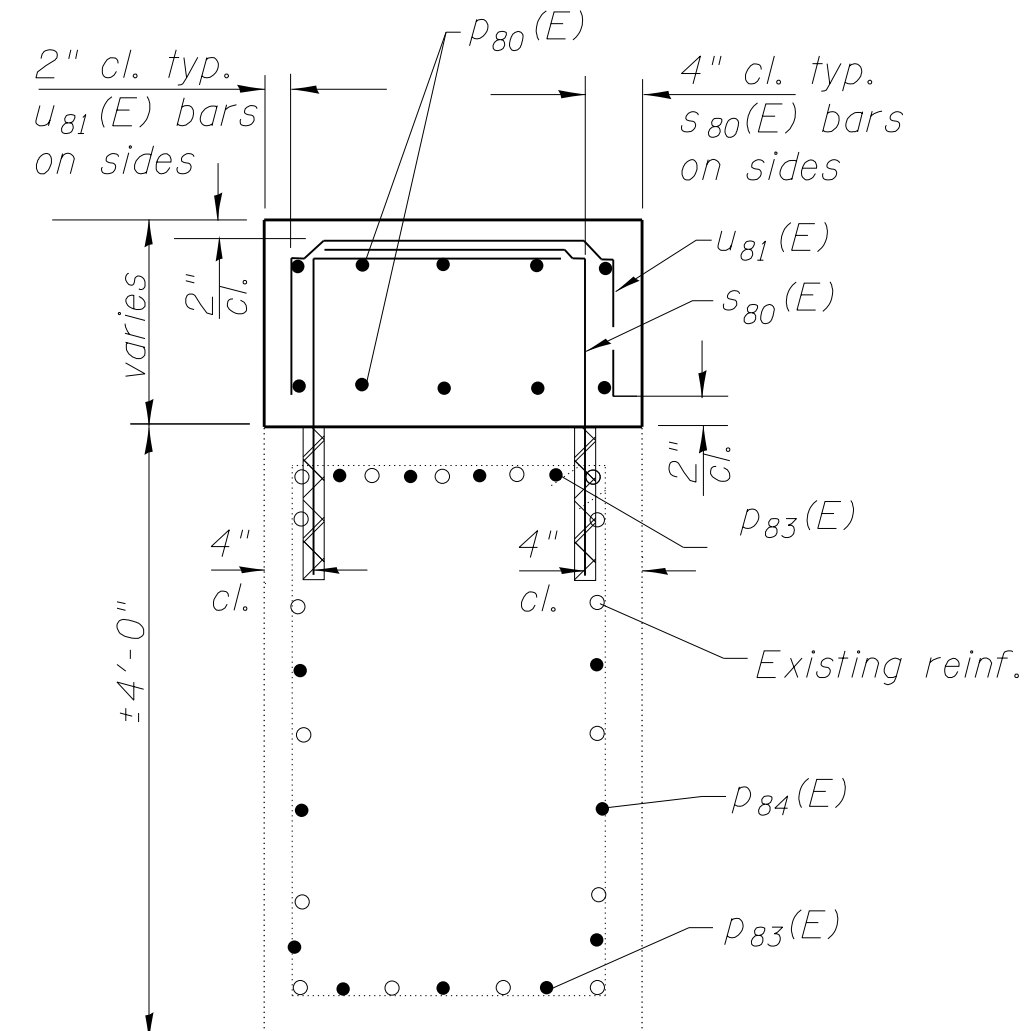
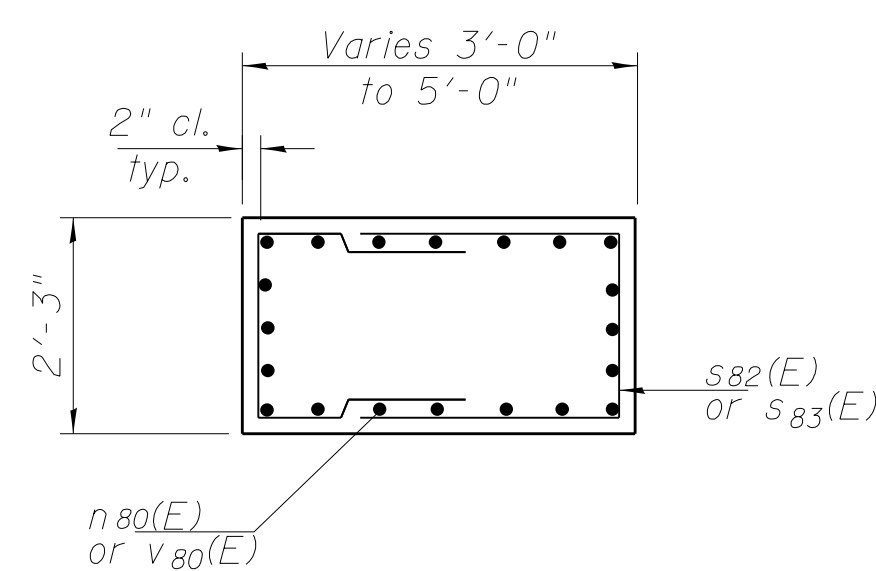


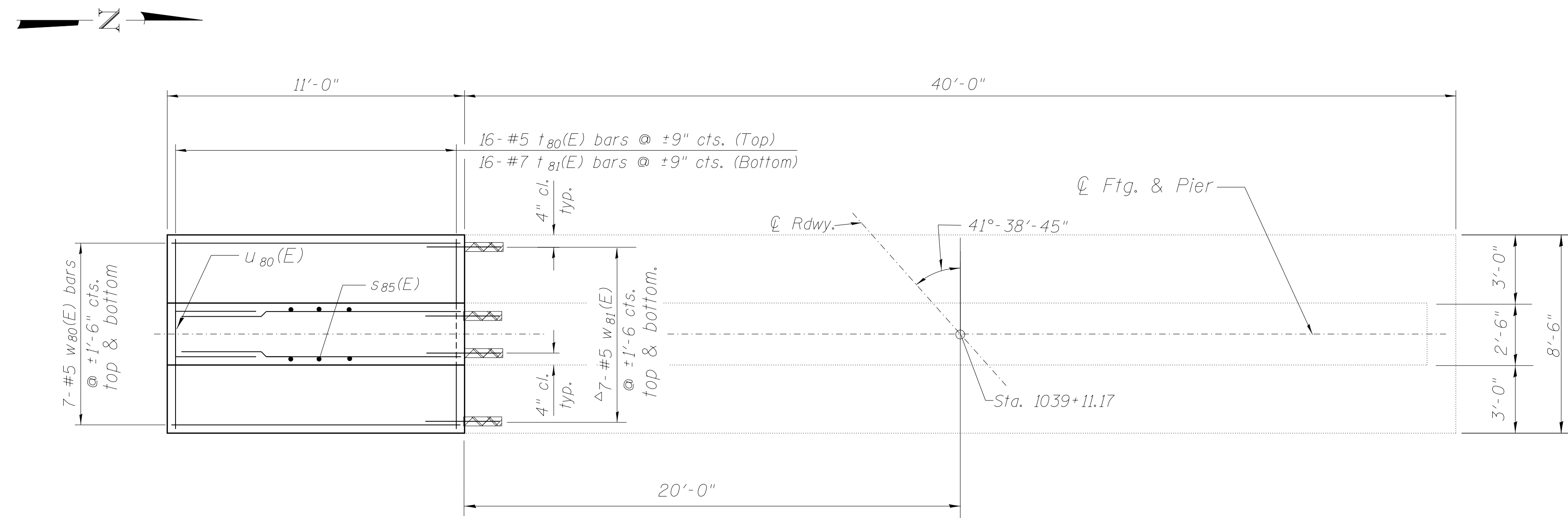
SECTION A-A



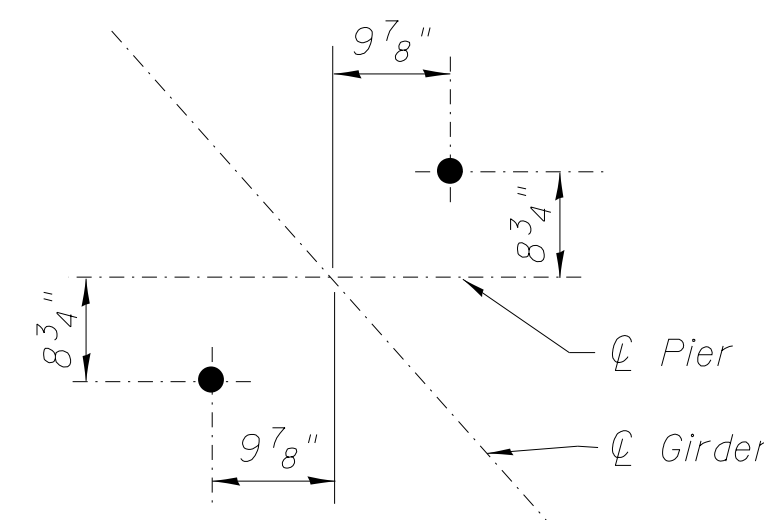
SECTION B-B



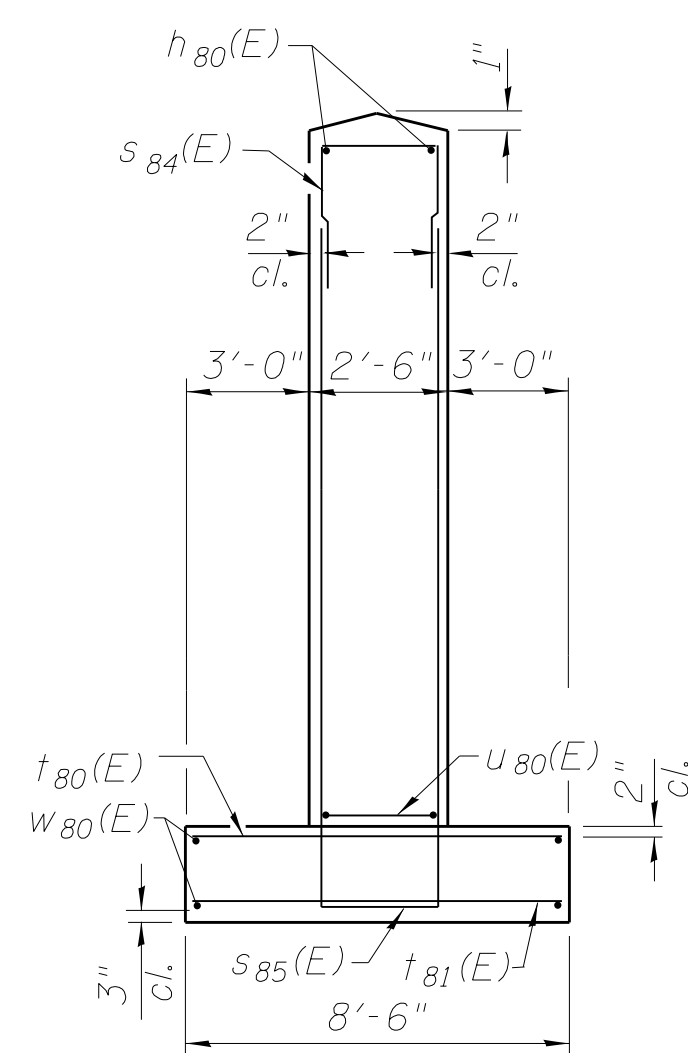
SECTION C-C



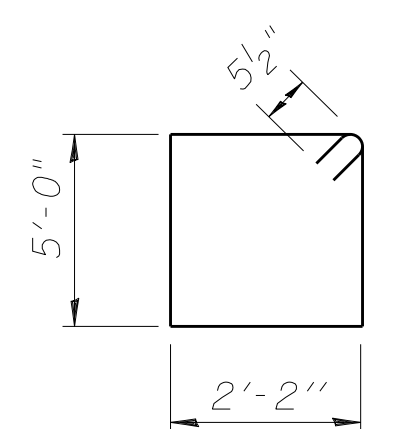
FOOTING PLAN



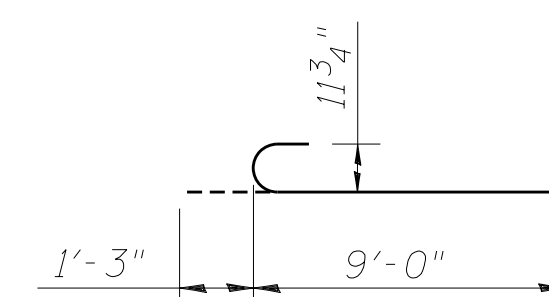
ANCHOR BOLT LAYOUT



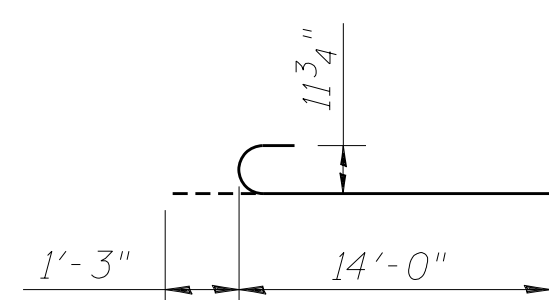
SECTION D-D



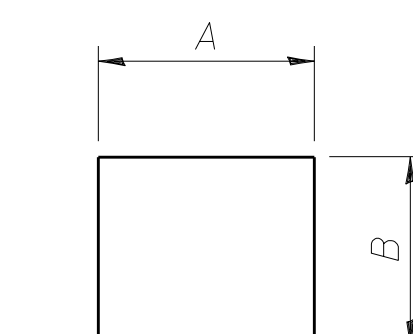
BARS s86(E)



BARS n80(E)



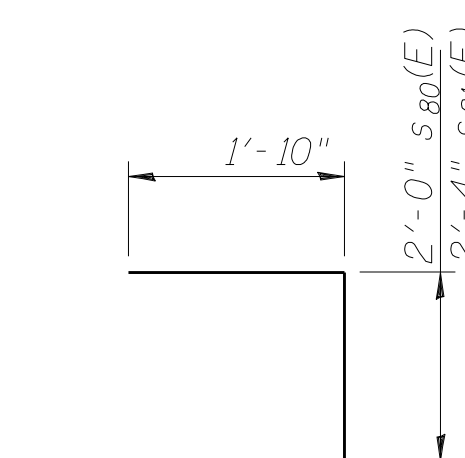
BARS v80(E)



A & B DIMENSIONS

Bar	A	B
s82(E)	1'-11"	3'-5"
s83(E)	1'-11"	3'-0"
s84(E)	2'-2"	3'-0"
s85(E)	2'-2"	15'-9"
u80(E)	2'-1"	4'-0"
u81(E)	2'-2"	1'-2"

BARS s82(E) thru s85(E) and u80(E)



BARS s80(E) and s81(E)

Minimum bar laps:  
 #4 2'-1"  
 #5 2'-7"  
 #6 3'-1"

Notes:  
 △Epoxy grout bars into 9" minimum drilled holes according to Section 584 of the Standard Specifications. Holes shall be approximately 4" from edge of existing member to avoid existing longitudinal reinforcement. Cost included in Reinforcement Bars, Epoxy Coated.

BILL OF MATERIAL

Bar	No.	Size	Length	Shape
h80(E)	36	#5	10'-8"	—
h81(E)	38	#5	4'-2"	—
n80(E)	20	#9	10'-3"	—
p80(E)	10	#6	30'-2"	—
p81(E)	5	#6	24'-8"	—
p82(E)	7	#6	12'-8"	—
p83(E)	7	#6	4'-0"	—
p84(E)	6	#5	3'-5"	—
p85(E)	5	#5	6'-7"	—
p86(E)	6	#5	12'-8"	—
p87(E)	5	#9	24'-8"	—
s80(E)	70	#5	3'-10"	—
s81(E)	16	#5	4'-2"	—
s82(E)	12	#4	8'-9"	—
s83(E)	12	#4	7'-11"	—
s84(E)	20	#5	8'-2"	—
s85(E)	20	#9	33'-8"	—
s86(E)	14	#5	15'-3"	—
t80(E)	16	#5	8'-2"	—
t81(E)	16	#7	8'-2"	—
u80(E)	26	#6	10'-11"	—
u81(E)	44	#4	4'-6"	—
v80(E)	20	#9	15'-3"	—
w80(E)	12	#5	10'-8"	—
w81(E)	12	#5	3'-3"	—
Structure Excavation		Cu. Yd.	83	
Concrete Structures		Cu. Yd.	38.8	
Reinforcement Bars, Epoxy Coated		Pound	7980	
Concrete Removal		Cu. Yd.	2.2	