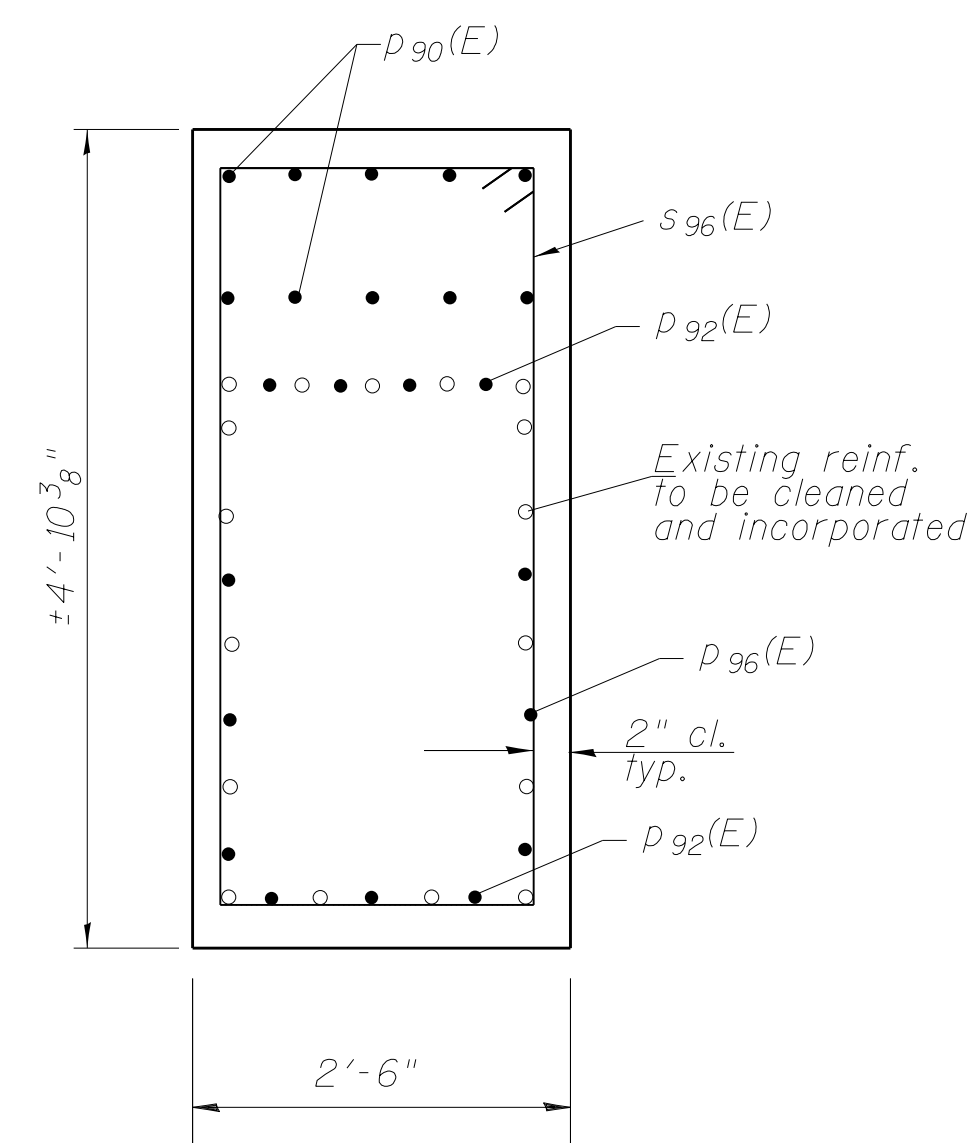
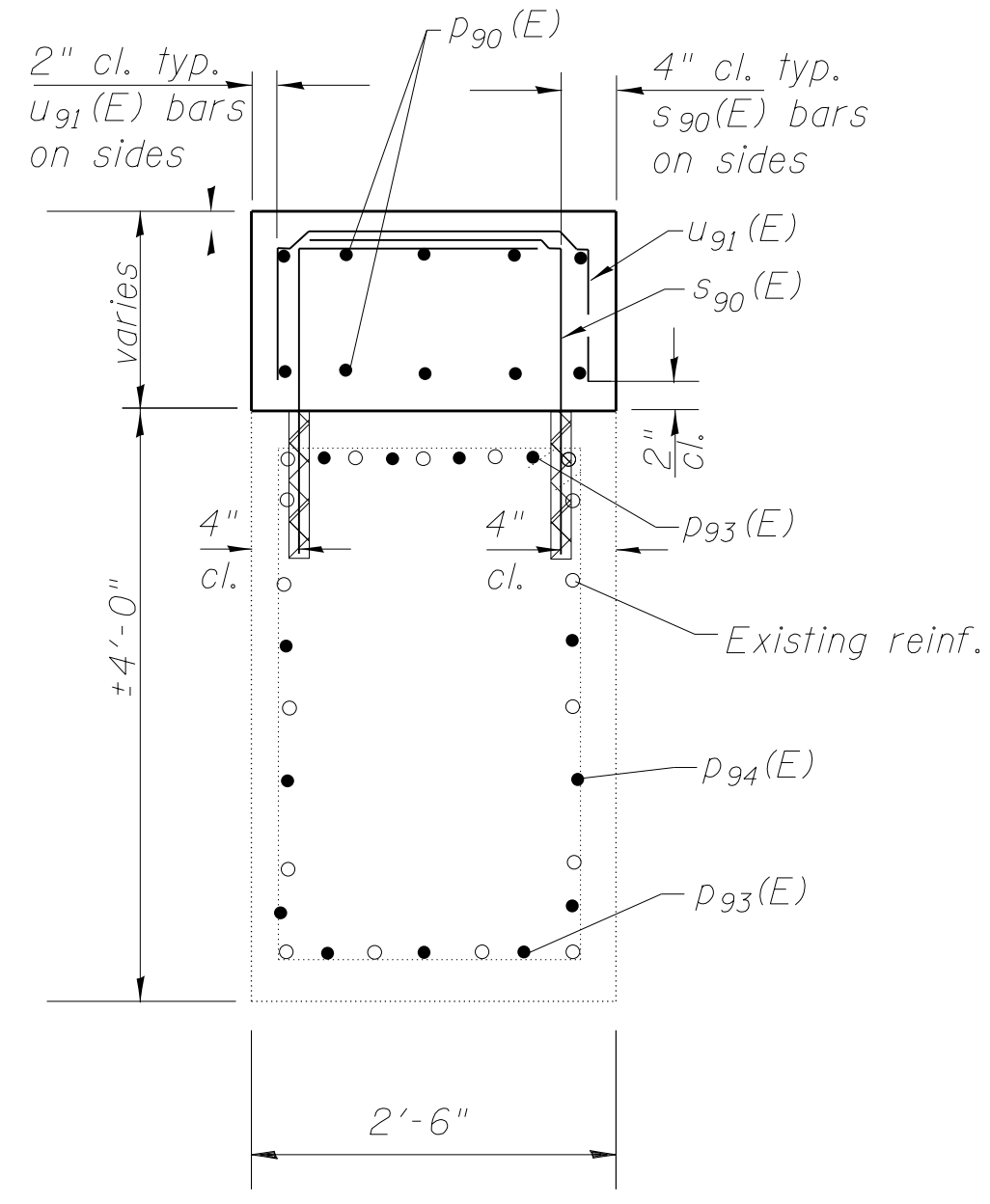


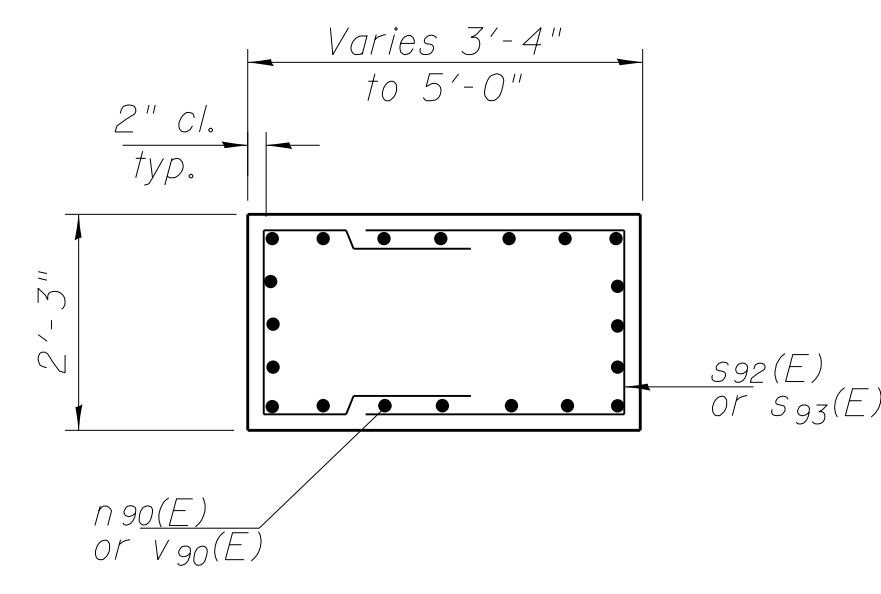
FOOTING PLAN



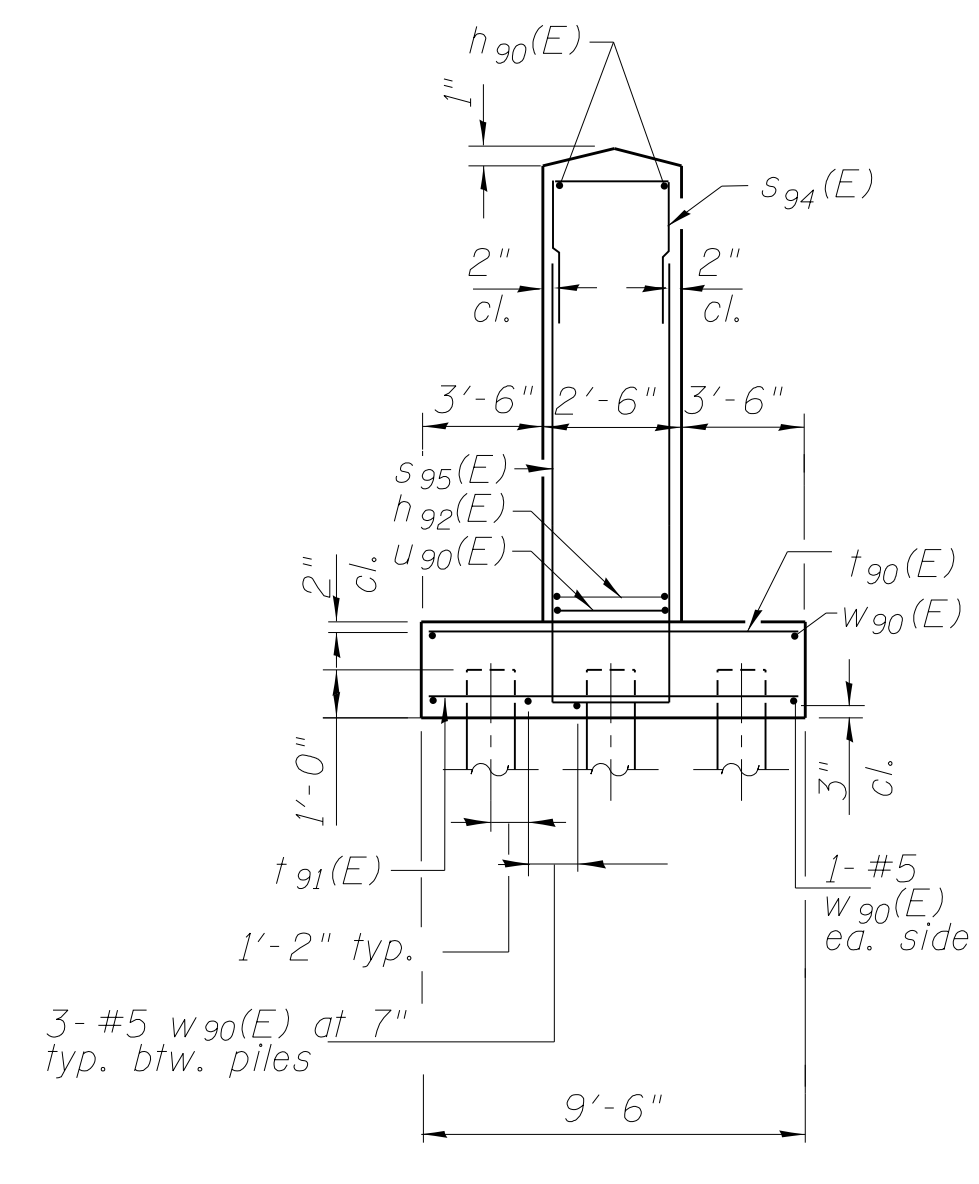
SECTION A-A



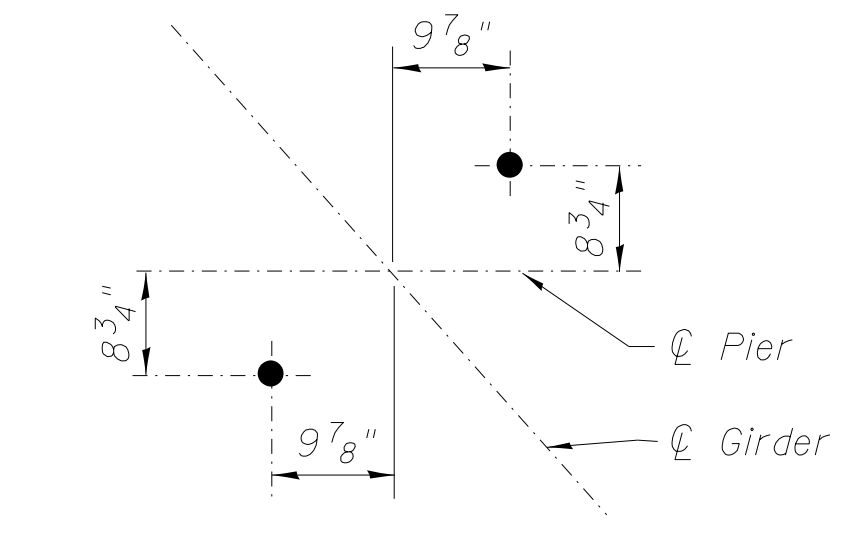
SECTION B-B



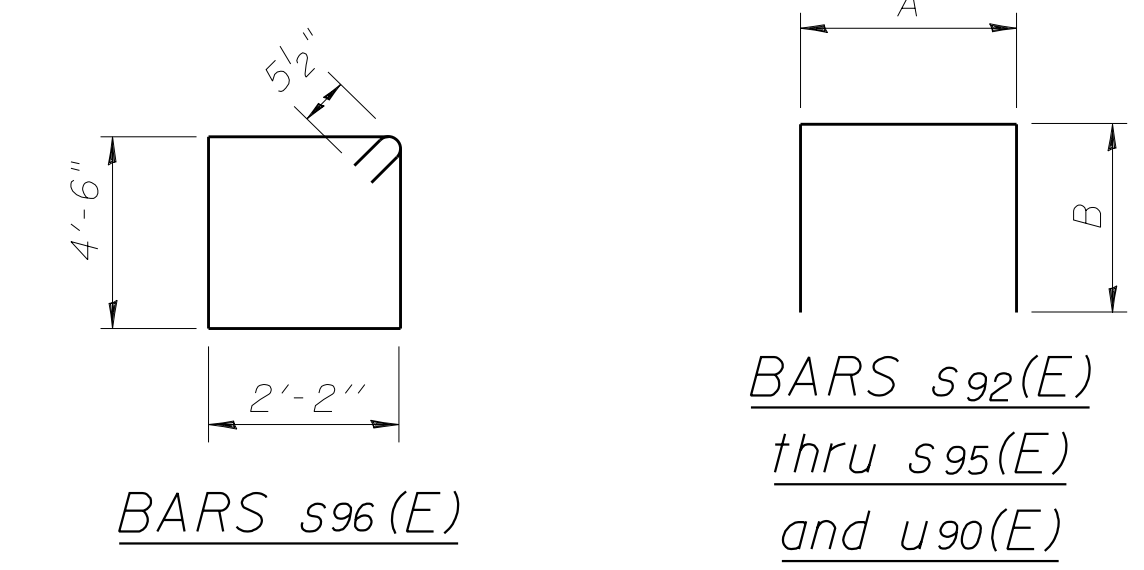
SECTION C-C



SECTION D-D

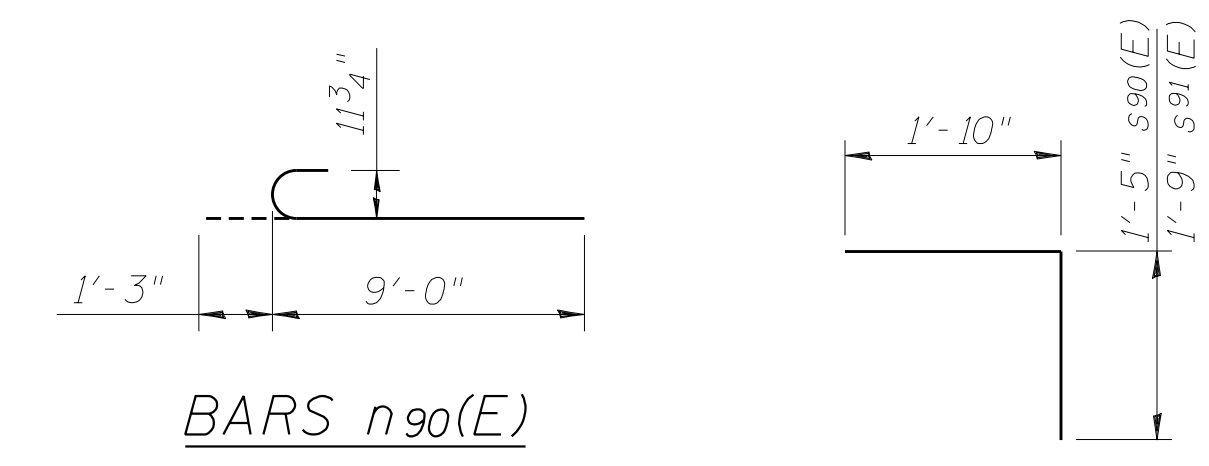


ANCHOR BOLT LAYOUT



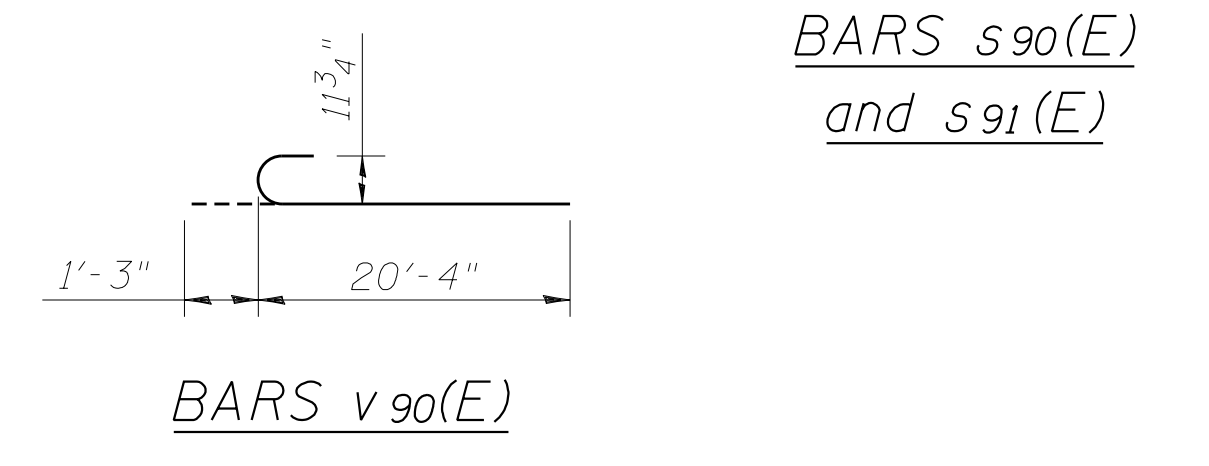
BARS s96(E)

BARS s92(E) thru s95(E) and u90(E)



BARS n90(E)

BARS s90(E) and s91(E)



BARS v90(E)

A & B DIMENSIONS

Bar	A	B
s92(E)	1'-11"	3'-5"
s93(E)	1'-11"	3'-0"
s94(E)	2'-2"	3'-0"
s95(E)	2'-2"	7'-4"
u90(E)	2'-1"	4'-0"
u91(E)	2'-2"	9"

Minimum bar laps:
 #4 2'-1"
 #5 2'-7"
 #6 3'-1"

Notes:
 Δ Epoxy grout bars into 9" minimum drilled holes according to Section 584 of the Standard Specifications. Holes shall be approximately 4" from edge of existing member to avoid existing longitudinal reinforcement. Cost included in Reinforcement Bars, Epoxy Coated.

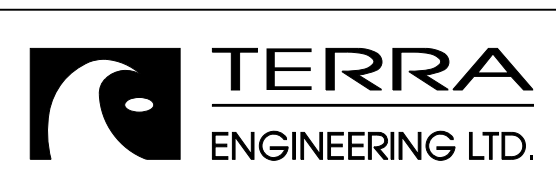
PILE DATA

Type: Steel HP 12 x 53
 Nominal Required Bearing: 200 Kips
 Factored Resistance Available: 100 Kips
 Est. Length: 30'
 No. Production Piles: 9
 No. Test Piles: 0

BILL OF MATERIAL

Bar	No.	Size	Length	Shape
h90(E)	10	#5	13'-6"	—
h91(E)	18	#5	3'-7"	—
h92(E)	8	#5	11'-8"	—
n90(E)	20	#9	10'-3"	⌋
p90(E)	10	#6	30'-2"	—
p91(E)	5	#6	24'-8"	—
p92(E)	7	#6	12'-8"	—
p93(E)	7	#6	4'-0"	—
p94(E)	6	#5	3'-5"	—
p95(E)	5	#5	6'-7"	—
p96(E)	6	#5	12'-8"	—
p97(E)	5	#9	24'-8"	—
s90(E)	70	#5	3'-3"	┌
s91(E)	16	#5	3'-7"	┌
s92(E)	20	#4	8'-9"	┌
s93(E)	18	#4	7'-11"	┌
s94(E)	24	#5	8'-2"	┌
s95(E)	20	#9	16'-10"	┌
s96(E)	14	#5	14'-3"	┌
t90(E)	18	#4	9'-2"	—
t91(E)	14	#6	9'-2"	—
u90(E)	16	#6	10'-1"	┌
u91(E)	44	#4	3'-8"	┌
v90(E)	20	#9	21'-7"	⌋
v91(E)	8	#9	3'-10"	—
w90(E)	18	#5	11'-8"	—
w91(E)	12	#5	3'-3"	—
Structure Excavation		Cu. Yd.	80	
Concrete Structures		Cu. Yd.	33.9	
Reinforcement Bars, Epoxy Coated		Pound	6920	
Concrete Removal		Cu. Yd.	2.2	
Furnishing steel Piles, HP 12 x 53		Foot	270	
Driving Piles		Foot	270	

M:\1_57_OVER CNRR & OLD 45\Drawings\Structural\Final Plans\SHS\0366942-057-01\Detail-B-North Structure_SB.dgn



USER NAME =	DESIGNED - EA	REVISED
PLOT SCALE =	CHECKED - OY	REVISED
PLOT DATE	DRAWN - CM	REVISED
	CHECKED - JB	REVISED

**STATE OF ILLINOIS
 DEPARTMENT OF TRANSPORTATION**

**PIER 1 - SOUTHBOUND
 STRUCTURE NOS. 038 - 0013 & 0014**

SHEET NO. S57OF S71 SHEETS

F.A.I. RTE.	SECTION	COUNTY	TOTAL SHEETS	SHEET NO.
57	38-2HWB, HVBR-1	IROQUOIS	146	96
				CONTRACT NO. 66942
ILLINOIS FED. AID PROJECT				