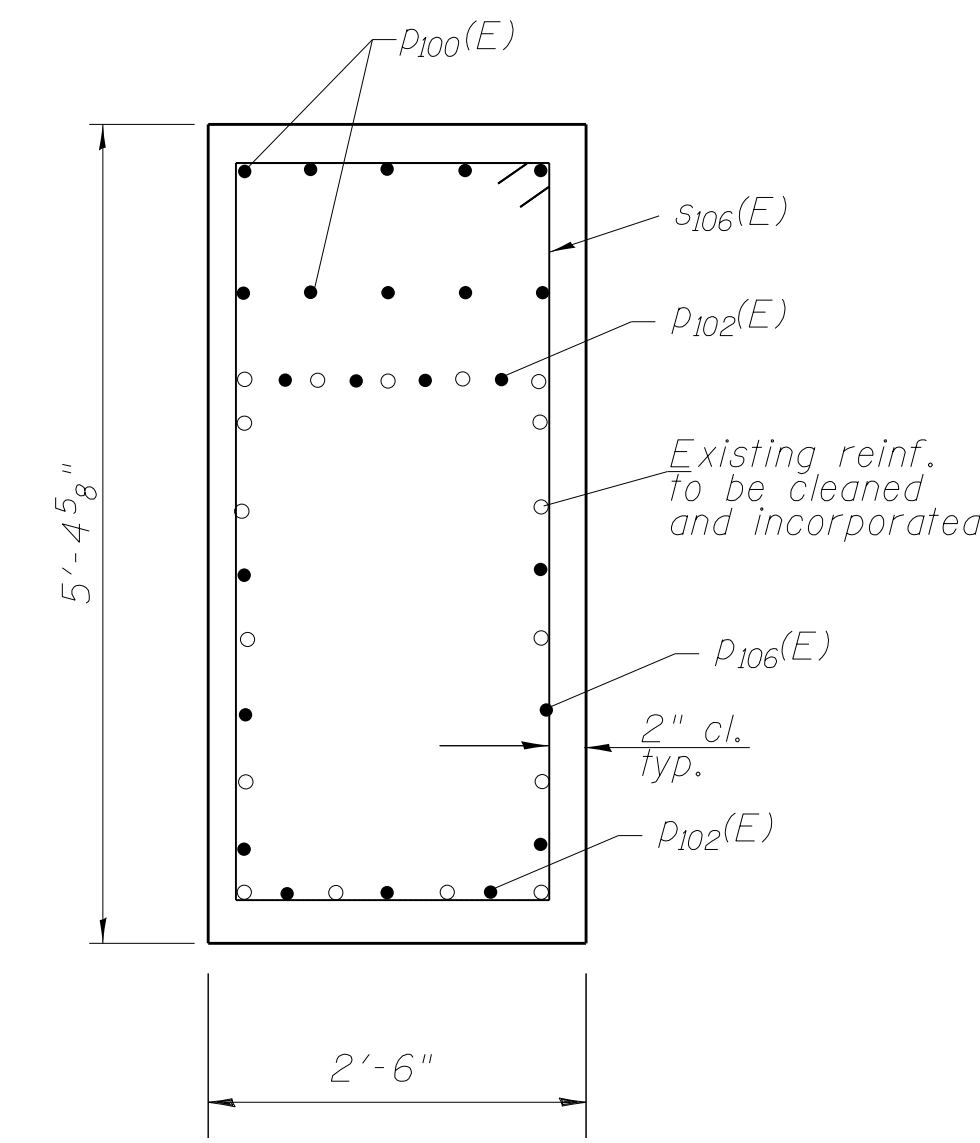
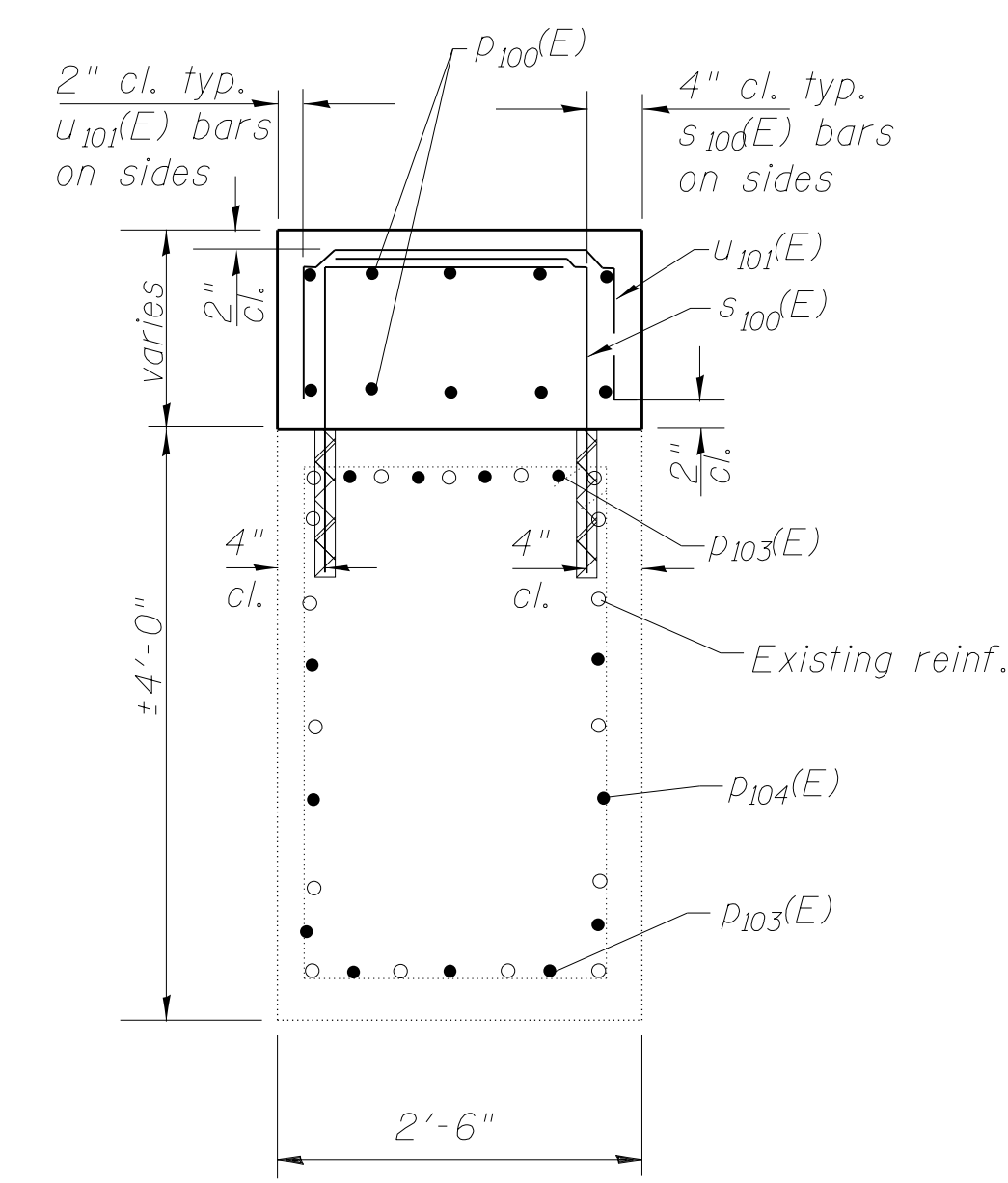


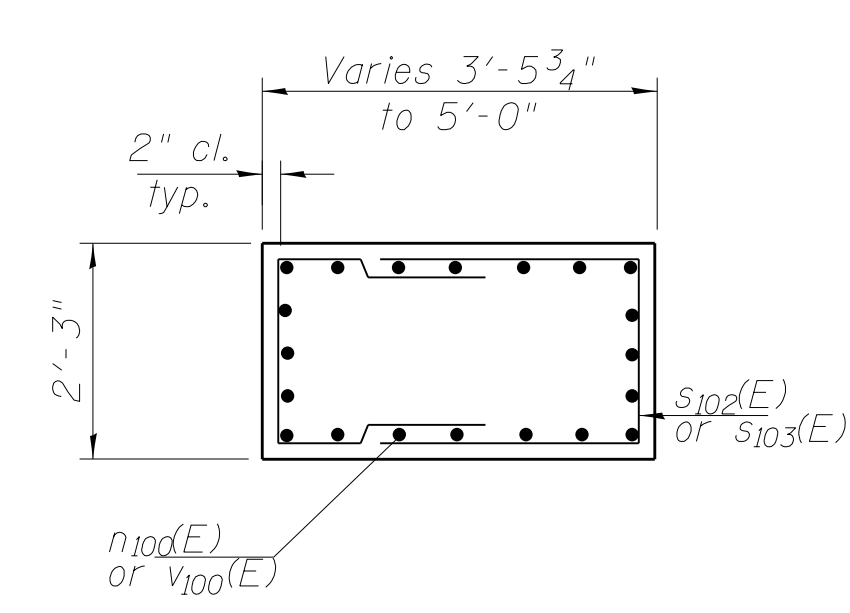
Notes:
 ΔEpoxy grout bars into 9" minimum drilled holes according to Section 584 of the Standard Specifications. Holes shall be approximately 4" from edge of existing member to avoid existing longitudinal reinforcement. Cost included in Reinforcement Bars, Epoxy Coated.



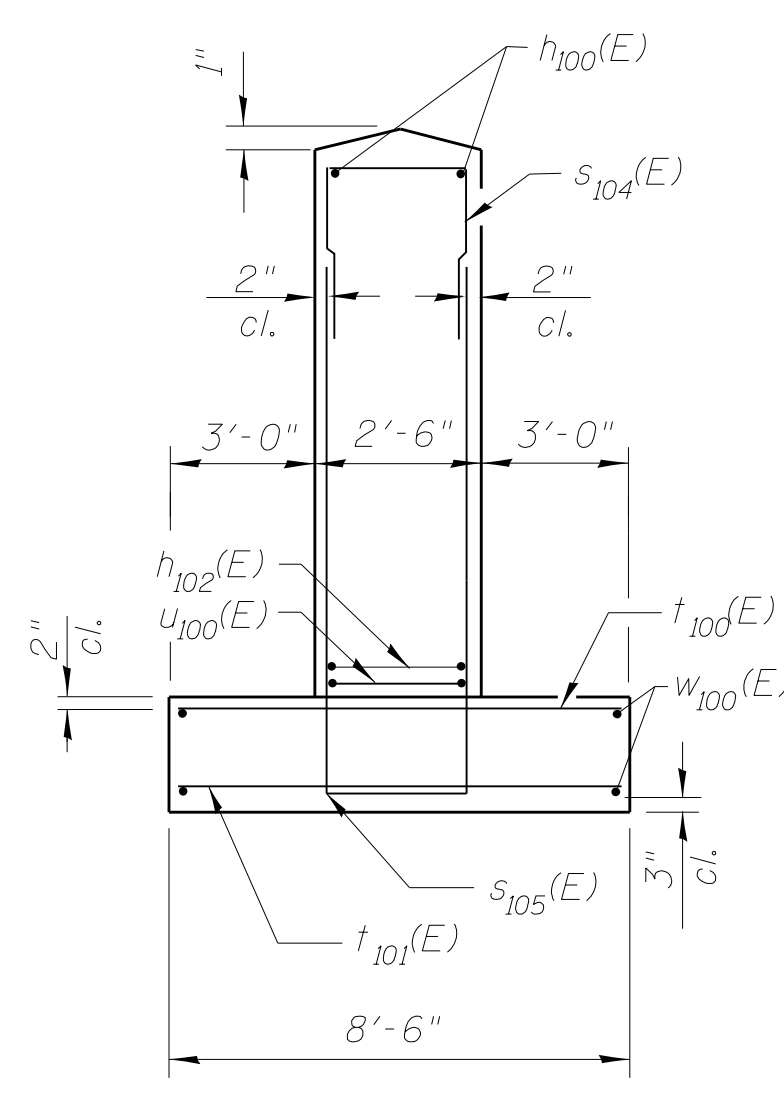
SECTION A-A



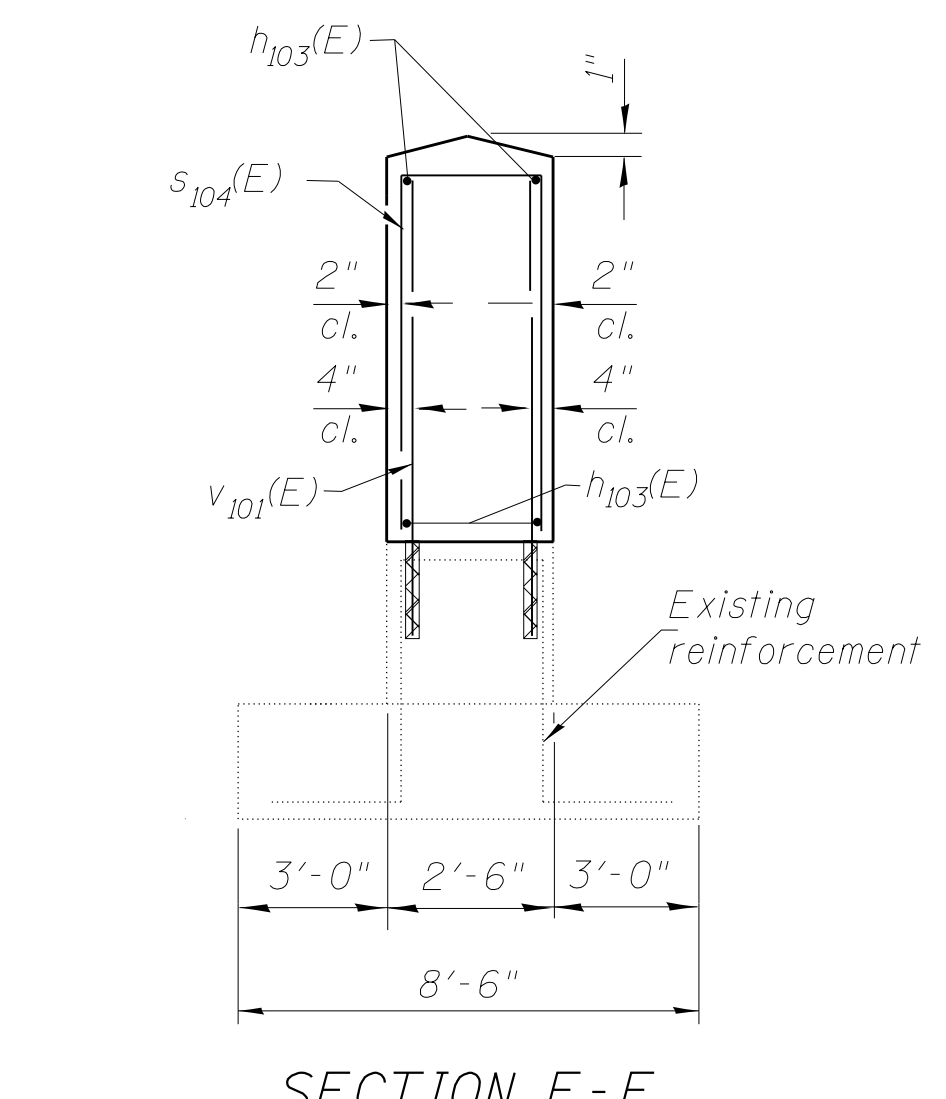
SECTION B-B



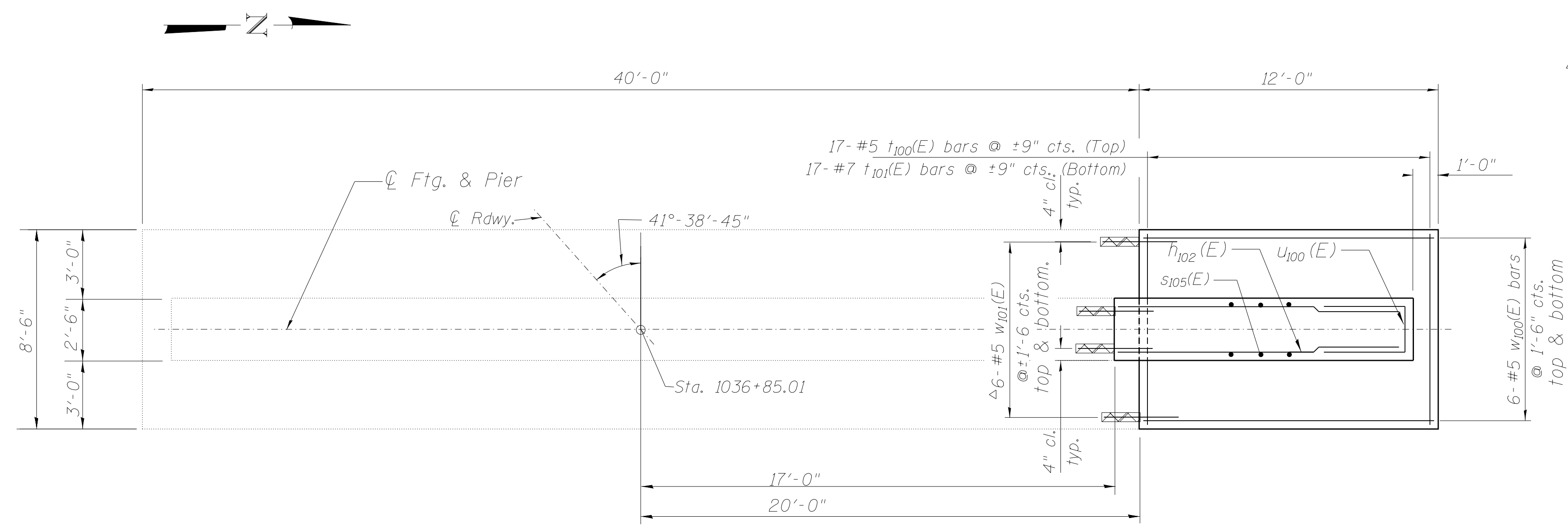
SECTION C-C



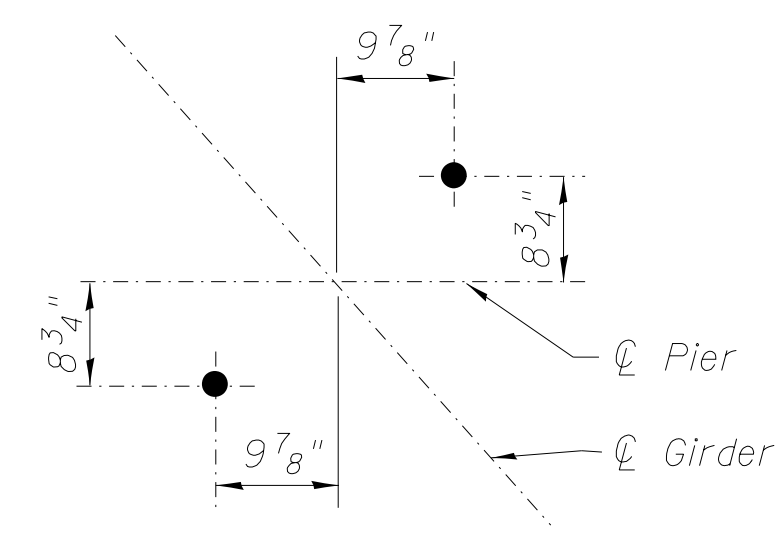
SECTION D-D



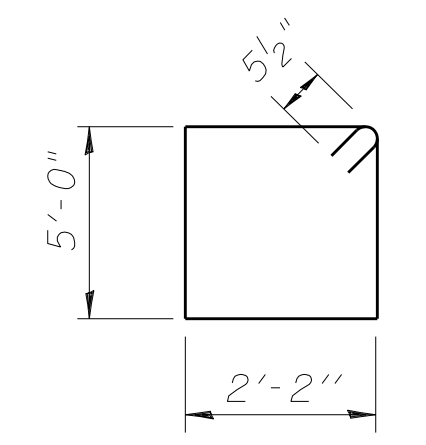
SECTION E-E



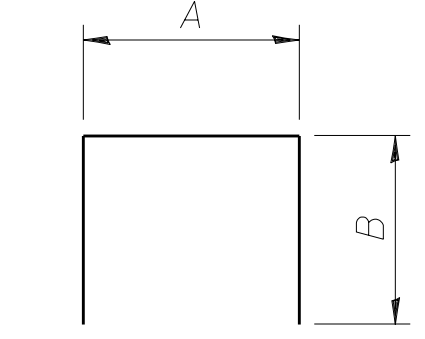
FOOTING PLAN



ANCHOR BOLT LAYOUT



BARS s106(E)

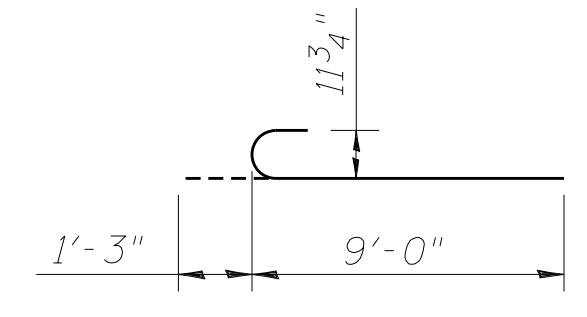


BARS s102(E) thru s105(E) and u100(E)

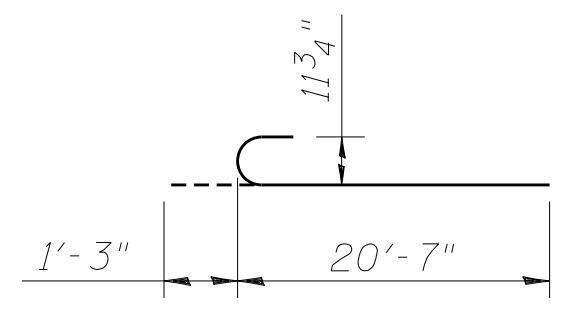
A & B DIMENSIONS

Bar	A	B
s102(E)	1'-11"	3'-5"
s103(E)	1'-11"	3'-0"
s104(E)	2'-2"	5'-8"
s105(E)	2'-2"	9'-9"
u100(E)	2'-1"	4'-0"
u101(E)	2'-2"	1'-2"

Minimum bar laps:
 #4 2'-1"
 #5 2'-7"
 #6 3'-1"



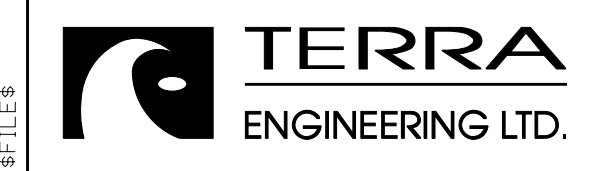
BARS n100(E)



BARS s100(E) and s101(E)

BILL OF MATERIAL

Bar	No.	Size	Length	Shape
h100(E)	10	#5	13'-5"	—
h101(E)	18	#5	3'-8"	—
h102(E)	8	#5	11'-8"	—
h103(E)	20	#5	11'-8"	—
h104(E)	10	#5	1'-6"	—
n100(E)	20	#9	10'-3"	U
p100(E)	10	#6	30'-2"	—
p101(E)	5	#6	24'-8"	—
p102(E)	7	#6	12'-8"	—
p103(E)	7	#6	4'-0"	—
p104(E)	6	#5	3'-5"	—
p105(E)	5	#5	6'-7"	—
p106(E)	6	#5	12'-8"	—
p107(E)	5	#9	24'-8"	—
s100(E)	70	#5	3'-10"	L
s101(E)	16	#5	4'-2"	L
s102(E)	20	#4	8'-9"	□
s103(E)	18	#4	7'-11"	□
s104(E)	70	#5	13'-6"	□
s105(E)	20	#9	21'-8"	□
s106(E)	14	#5	15'-3"	□
t100(E)	17	#5	8'-2"	—
t101(E)	17	#7	8'-2"	—
u100(E)	16	#6	10'-1"	L
u101(E)	44	#4	4'-6"	L
v100(E)	20	#9	21'-10"	U
v101(E)	100	#9	6'-6"	—
w100(E)	12	#5	11'-8"	—
w101(E)	12	#5	3'-3"	—
Structure Excavation	Cu. Yd.		42	
Concrete Structures	Cu. Yd.		52.5	
Reinforcement Bars, Epoxy Coated	Pound		10,560	
Concrete Removal	Cu. Yd.		2.2	
Concrete Sealer	Sq. Ft.		1385	



USER NAME =	DESIGNED - EA	REVISED
PLOT SCALE =	CHECKED - OY	REVISED
PLOT DATE	DRAWN - CM	REVISED
	CHECKED - JB	REVISED

STATE OF ILLINOIS
 DEPARTMENT OF TRANSPORTATION

PIER 2 - SOUTHBOUND
 STRUCTURE NOS. 038 - 0013 & 0014

SHEET NO. S59 OF S71 SHEETS

F.A.I. RTE.	SECTION	COUNTY	TOTAL SHEETS	SHEET NO.
57	38-2HVB, HVBR-1	IROQUOIS	146	98
			CONTRACT NO. 66942	
ILLINOIS FED. AID PROJECT				