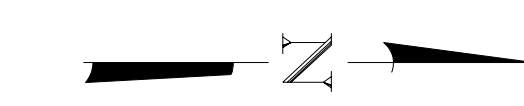


ELEVATION
(Looking West)



Notes:

At areas of Concrete Removal, the existing reinforcement extending into the areas of new construction shall be cleaned, straightened and incorporated into the new construction. Included in cost of Concrete Removal.

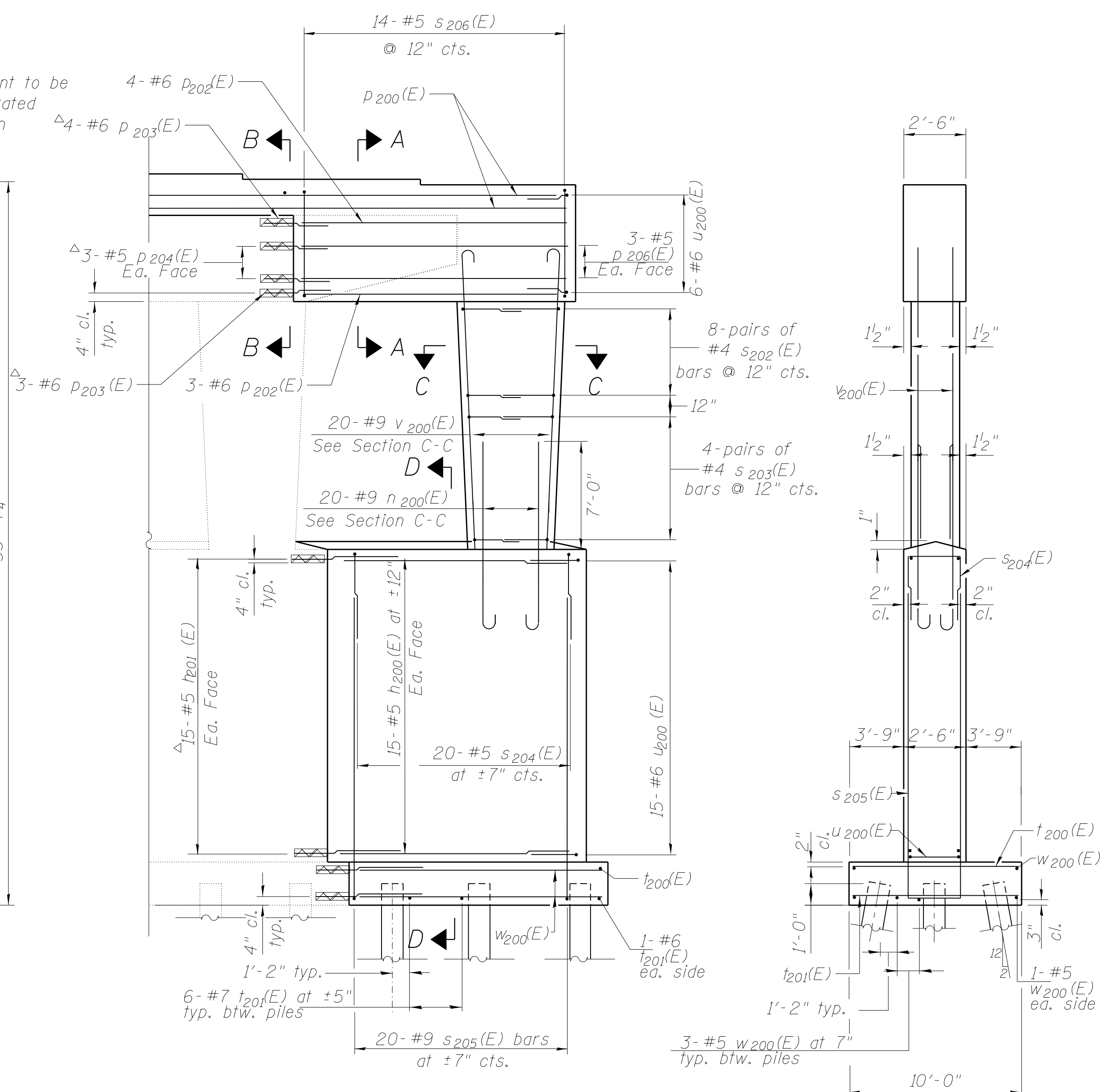
See next sheet for footing plan, details of reinforcement, bill of material and sections.

△Epoxy grout bars into 9" minimum drilled holes according to Section 584 of the Standard Specifications. Holes shall be approximately 4" from edge of existing member to avoid existing longitudinal reinforcement. Cost included in Reinforcement Bars, Epoxy Coated.

Four steps monolithically with cap.

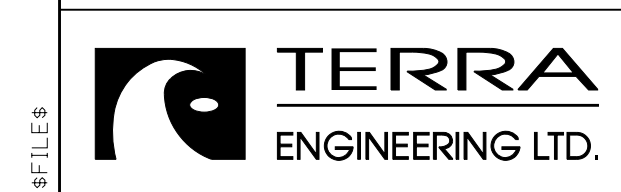
Space reinforcement in cap to miss anchor bolts.

Contractor shall measure existing structure and determine exact length for ± dimensions prior to ordering reinforcing steel.



PARTIAL ELEVATION - NORTH END
(Looking West)

END VIEW



USER NAME =	DESIGNED - EA	REVISED
PLOT SCALE =	CHECKED - OY	REVISED
PLOT DATE	DRAWN - CM	REVISED
	CHECKED - JB	REVISED

STATE OF ILLINOIS
DEPARTMENT OF TRANSPORTATION

PIER 3 - SOUTHBOUND
STRUCTURE NOS. 038 - 0013 & 0014

SHEET NO. S60 OF S71 SHEETS

F.A.I. RTE.	SECTION	COUNTY	TOTAL SHEETS	SHEET NO.
57	38-2HVB, HVBR-1	IROQUOIS	146	99
CONTRACT NO. 66942				
ILLINOIS FED. AID PROJECT				