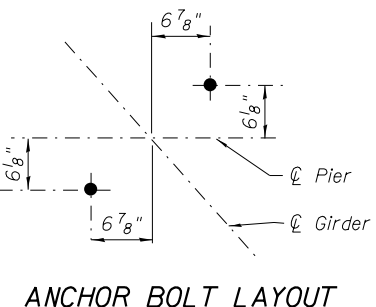
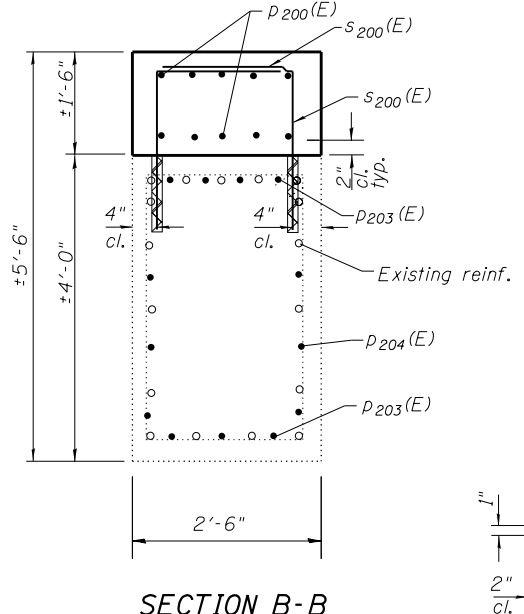
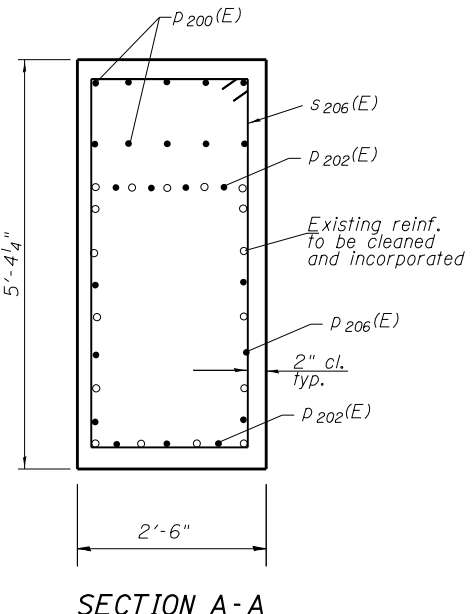


PILE DATA
 Type: Steel - HP 12x53
 Nominal Required Bearing: 200 Kips
 Factored Resistance Available: 100 Kips
 Est. Length: 28'
 No. Production Piles: 9
 No. Test Piles: 0



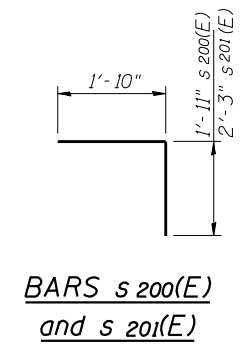
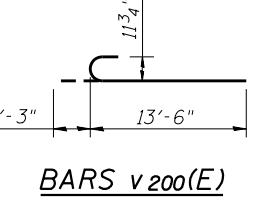
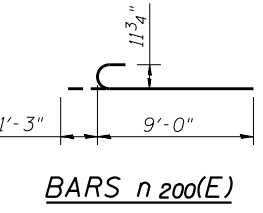
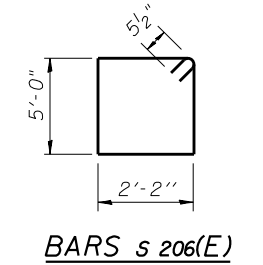
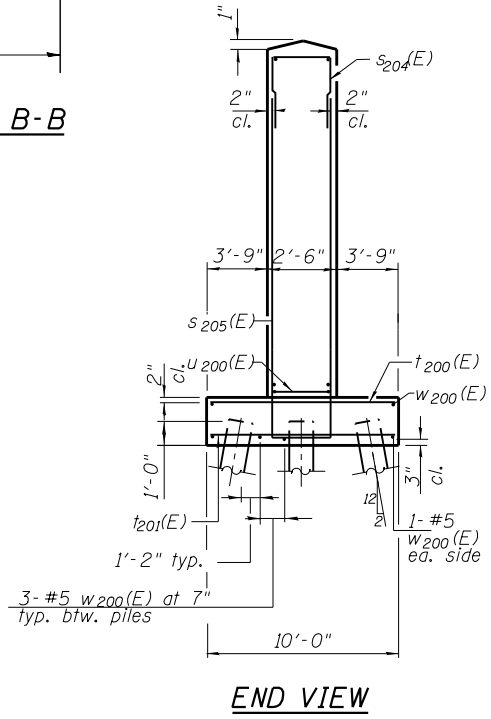
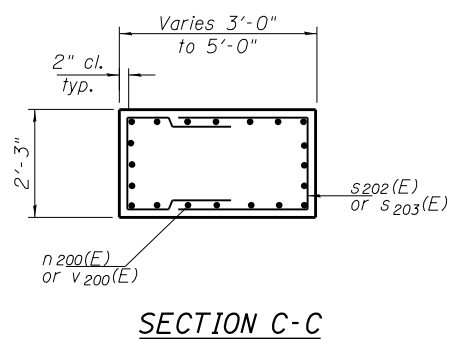
A & B DIMENSIONS

Bar	A	B
S202(E)	1'-11"	3'-5"
S203(E)	1'-11"	2'-8"
S204(E)	2'-2"	3'-0"
S205(E)	2'-2"	15'-0"
U200(E)	2'-1"	4'-0"

Minimum bar laps:
 #4 2'-1"
 #5 2'-7"
 #6 3'-1"

BILL OF MATERIAL

Bar	No.	Size	Length	Shape
h200(E)	30	#5	11'-8"	—
h201(E)	30	#5	3'-8"	—
n200(E)	20	#9	10'-3"	⌋
P200(E)	10	#6	30'-2"	—
P201(E)	10	#6	24'-8"	—
P202(E)	7	#6	12'-8"	—
P203(E)	7	#6	4'-0"	—
P204(E)	6	#5	3'-5"	—
P205(E)	5	#5	6'-7"	—
P206(E)	6	#5	12'-8"	—
S200(E)	70	#5	3'-9"	┌
S201(E)	16	#5	4'-1"	┌
S202(E)	16	#4	8'-9"	┌
S203(E)	8	#4	7'-3"	┌
S204(E)	20	#5	8'-2"	┌
S205(E)	20	#9	32'-2"	┌
S206(E)	14	#5	15'-3"	┌
t200(E)	18	#4	9'-8"	—
t201(E)	14	#7	9'-8"	—
U200(E)	23	#6	10'-1"	┌
v200(E)	20	#9	14'-9"	⌋
w200(E)	19	#5	11'-8"	—
w201(E)	12	#5	3'-3"	—
Structure Excavation			Cu. Yd.	43
Concrete Structures			Cu. Yd.	42.2
Reinforcement Bars, Epoxy Coated			Pound	7380
Concrete Removal			Cu. Yd.	2.2
Furnishing Steel Piles, HP 12x53			Foot	252
Driving Piles			Foot	252



USER NAME =	DESIGNED - EA	REVISED
PLOT SCALE =	CHECKED - OY	REVISED
PLOT DATE =	DRAWN - CM	REVISED
	CHECKED - JB	REVISED

STATE OF ILLINOIS
 DEPARTMENT OF TRANSPORTATION

PIER 3 - SOUTHBOUND
 STRUCTURE NOS. 038 - 0013 & 0014

SHEET NO. S61 OF S71 SHEETS

F.A.I. RT.E.	SECTION	COUNTY	TOTAL SHEETS	SHEET NO.
57	38-2HVB, HVBR-1	IROQUOIS	146	100
CONTRACT NO. 66942				

ILLINOIS FED. AID PROJECT