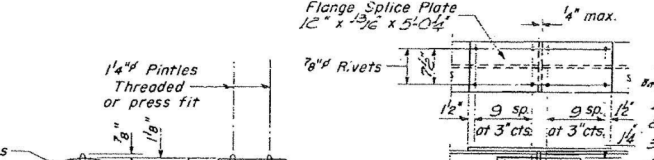
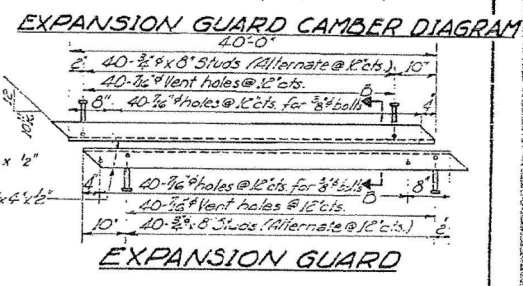
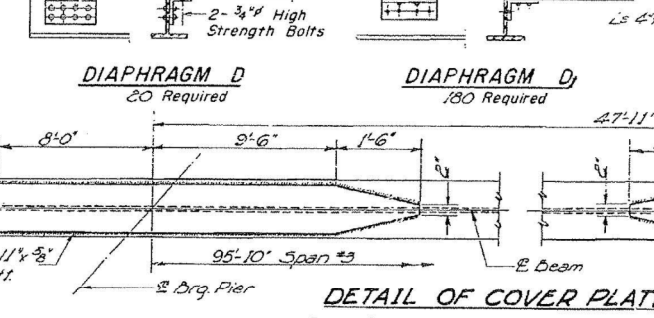
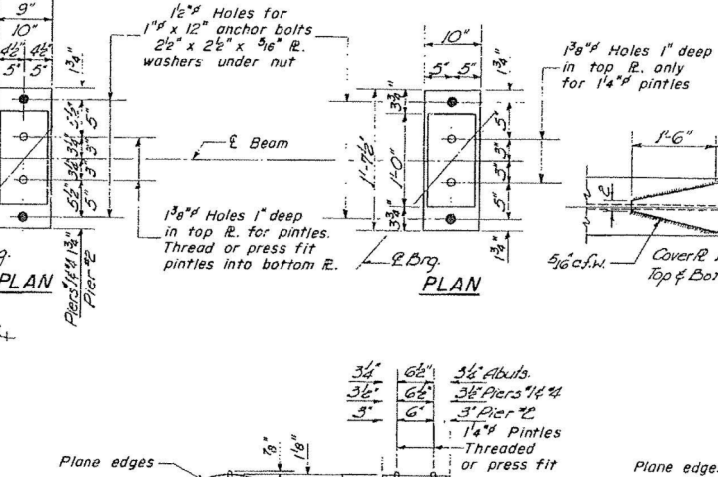


SOUTH STRUCTURE

Loc. E. Drg. E. Drg. E. Spl. A E. Drg. E. Spl. B E. Spl. C E. Drg. E. Spl. D E. Drg. E. Drg. E. Drg.	E. Abut. Pier 1	Pier 2	Pier 3	Pier 4	N. Abut.					
1	692.055	692.323	692.392	692.540	692.610	692.683	692.673	692.610	692.609	692.489
2	692.150	692.426	692.458	692.675	692.727	692.809	692.802	692.718	692.729	692.638
3	692.106	692.472	692.546	692.731	692.786	692.877	692.872	692.856	692.830	692.728
4	692.151	692.446	692.522	692.715	692.772	692.871	692.871	692.863	692.839	692.746
5	692.042	692.346	692.425	692.627	692.687	692.796	692.796	692.797	692.775	692.692
6	691.876	692.189	692.270	692.481	692.543	692.661	692.661	692.674	692.655	692.580

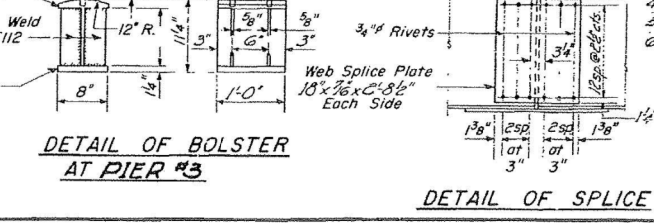
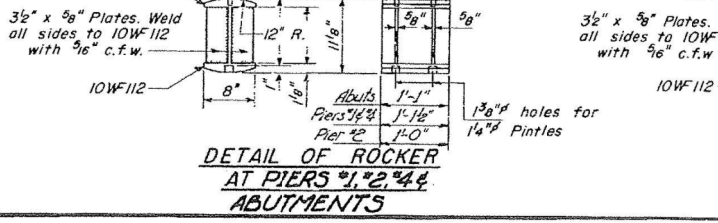
NORTH STRUCTURE

Loc. E. Drg. E. Drg. E. Spl. A E. Drg. E. Spl. B E. Spl. C E. Drg. E. Spl. D E. Drg. E. Drg. E. Drg.	E. Abut. Pier 1	Pier 2	Pier 3	Pier 4	N. Abut.					
7	691.677	692.035	692.128	692.261	692.456	692.619	692.634	692.686	692.678	692.449
8	691.764	692.131	692.226	692.437	692.524	692.737	692.735	692.814	692.809	692.789
9	691.792	692.489	692.566	692.755	692.845	692.977	692.817	692.885	692.885	692.871
10	691.743	692.133	692.233	692.511	692.593	692.784	692.807	692.893	692.893	692.887
11	691.631	692.026	692.128	692.448	692.499	692.639	692.724	692.809	692.811	692.818
12	691.457	691.861	691.965	692.260	692.347	692.556	692.584	692.677	692.681	692.638



SHIM 1" DIMENSIONS

S. STRUCTURE					N. STRUCTURE				
Loc. East	Pier	Pier	Pier	Abut.	Loc. East	Pier	Pier	Pier	Abut.
1	0'	0'	5/8'	0'	7'	4'	5/8'	0'	0'
2	5/8'	5/8'	0'	5/8'	8'	0'	5/8'	0'	5/8'
3	0'	0'	0'	0'	9'	0'	5/8'	0'	5/8'
4	5/8'	5/8'	0'	0'	10'	4'	0'	0'	5/8'
5	0'	0'	5/8'	0'	9 1/2'	11'	5/8'	0'	5/8'
6	0'	0'	0'	0'	12'	0'	0'	0'	0'



STRUCTURAL STEEL
F.A.I. RT. 57 SEC. 38-24VB
IROQUOIS COUNTY
STA. 1037+61.38

DESIGNED: [Signature]
CHECKED: [Signature]
DRAWN: W. A. Sousman Jr.
CHECKED: [Signature]

EXAMINED: [Signature]
PASSED: [Signature]
APPROVED: [Signature]

I-2-C 7-2-62

FOR INFORMATION ONLY