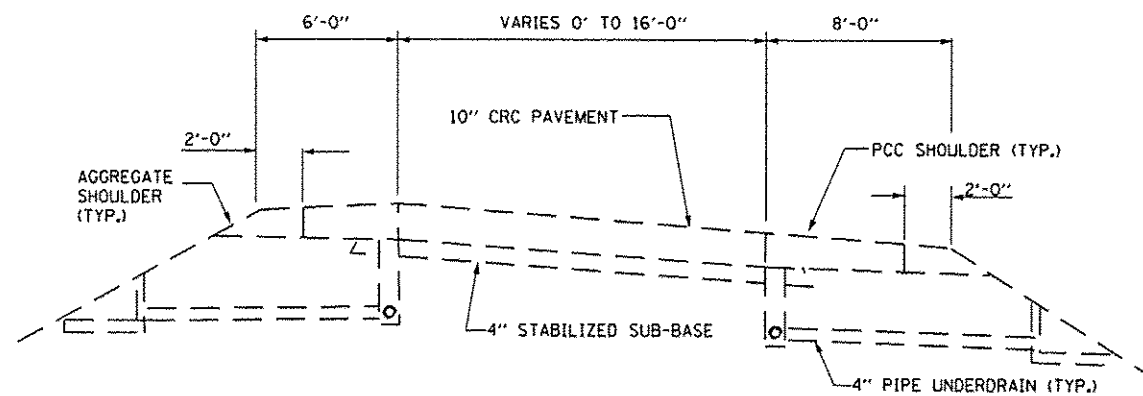
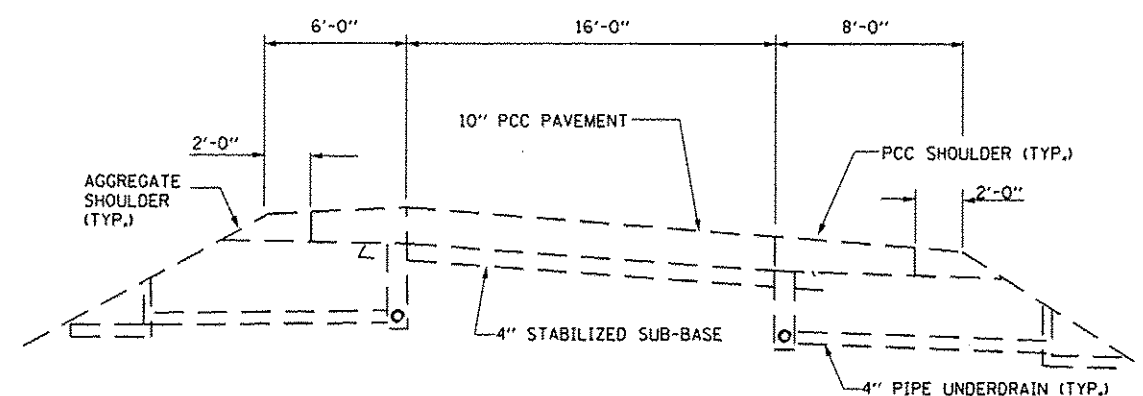


**TYPICAL SECTION**  
**FAI ROUTE 39 (I-39) - MAINLINE**



**TYPICAL SECTION**  
**FAI ROUTE 39 (I-39)**  
**RAMP PAVEMENT ADJACENT TO MAINLINE**



**TYPICAL SECTION**  
**FAI ROUTE 39 (I-39)**  
**RAMP PAVEMENT**

FILE NAME *	USER NAME * pateluj	DESIGNED - YOGESH PATEL	REVISED -
c:\p\work\p\idot\pateluj\0332581\0366036-sh1-details.dgn		DRAWN - YOGESH PATEL	REVISED -
		CHECKED - RON WOODSHANK	REVISED -
		DATE -	REVISED -

STATE OF ILLINOIS  
 DEPARTMENT OF TRANSPORTATION

**TYPICAL SECTIONS**

SCALE: SHEET NO. 1 OF 1 SHEETS STA. TO STA.

F.A.I. RYE.	SECTION	COUNTY	TOTAL SHEETS	SHEET NO.
39	*	LASALLE	17	4
#03 PAVEMENT PATCHING 2014-2		CONTRACT NO. 66C86		
[ILLINOIS]				