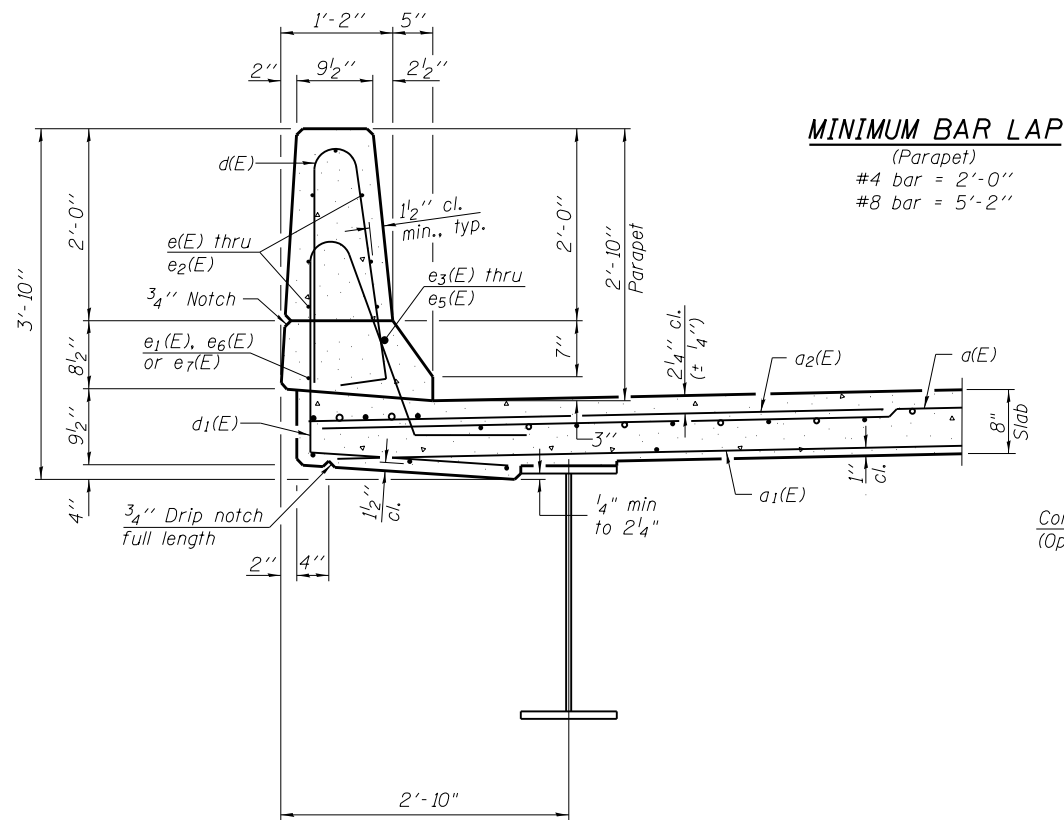
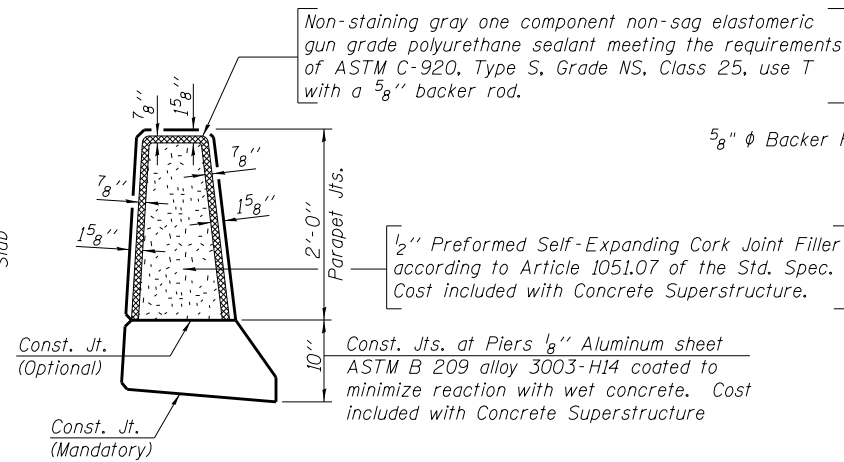


**INSIDE ELEVATION OF PARAPET**  
(Looking at West Parapet - East Parapet similar)

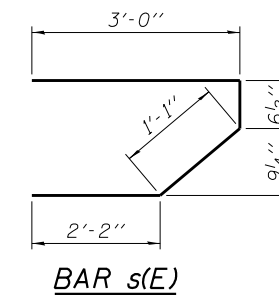


**SECTION THRU PARAPET**

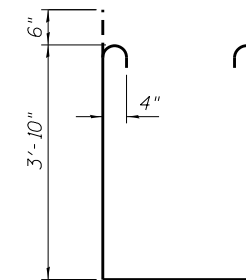
**MINIMUM BAR LAP**  
(Parapet)  
#4 bar = 2'-0"  
#8 bar = 5'-2"



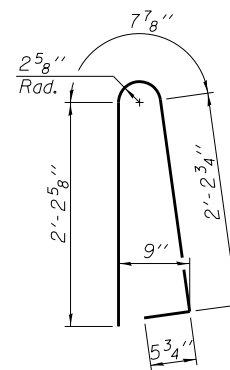
**PARAPET JOINT DETAILS**



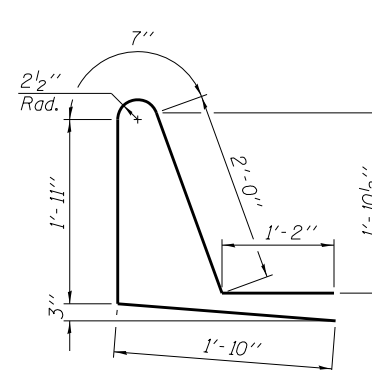
**BAR s(E)**



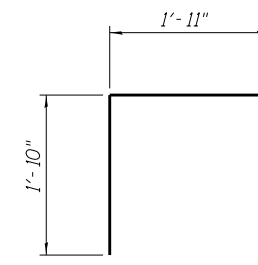
**BAR s1(E)**



**BAR d(E)**



**BAR d1(E)**



**BAR v(E)**

**SUPERSTRUCTURE BILL OF MATERIAL**

Bar	No.	Size	Length	Shape
d(E)	400	#5	42'-6"	U
a1(E)	245	#5	41'-0"	—
a2(E)	800	#6	6'-6"	—
b(E)	376	#5	25'-1"	—
b1(E)	132	#6	26'-8"	—
b2(E)	287	#5	28'-4"	—
d(E)	400	#5	5'-7"	L
d1(E)	400	#5	7'-6"	L
e(E)	84	#4	15'-4"	—
e1(E)	32	#4	18'-1"	—
e2(E)	42	#4	17'-0"	—
e3(E)	8	#8	27'-5"	—
e4(E)	4	#8	18'-1"	—
e5(E)	4	#8	28'-7"	—
e6(E)	8	#4	25'-0"	—
e7(E)	4	#4	27'-0"	—
m(E)	10	#6	49'-6"	—
m1(E)	8	#6	9'-8"	—
m2(E)	16	#6	12'-0"	—
m3(E)	4	#6	2'-1"	—
m4(E)	10	#6	8'-4"	—
s(E)	92	#5	6'-10"	U
s1(E)	82	#4	11'-2"	U
v(E)	86	#5	3'-9"	T
Reinforcement Bars, Epoxy Coated		Pound	70980	
Concrete Superstructure		Cu. Yds.	290.8	

Bars indicated thus 1 x 4-#5 etc. indicates 1 line of bars with 4 lengths per line.

T:\Projects\10-221\1001-102B-edges\_Ten Mile Creek-Phase II\Drawings\Structural\Final Plans\SHEETS\09-Super Details.dgn



USER NAME = WAH  
FILE NAME = D468671-009-super\_details.dgn  
PLOT DATE = 10/5/2012

DESIGNED - OY  
CHECKED - DB  
DRAWN - CM  
CHECKED - JB

REVISED -  
REVISED -  
REVISED -  
REVISED -

STATE OF ILLINOIS  
DEPARTMENT OF TRANSPORTATION

SUPERSTRUCTURE DETAILS  
STRUCTURE NO. 090-0179

SHEET NO. 09 OF 522 SHEETS

F.A.P. RTE.	SECTION	COUNTY	TOTAL SHEETS	SHEET NO.
673	(102B-1) BR	TAZEWELL	89	52
CONTRACT NO. 68671				
ILLINOIS FED. AID PROJECT				