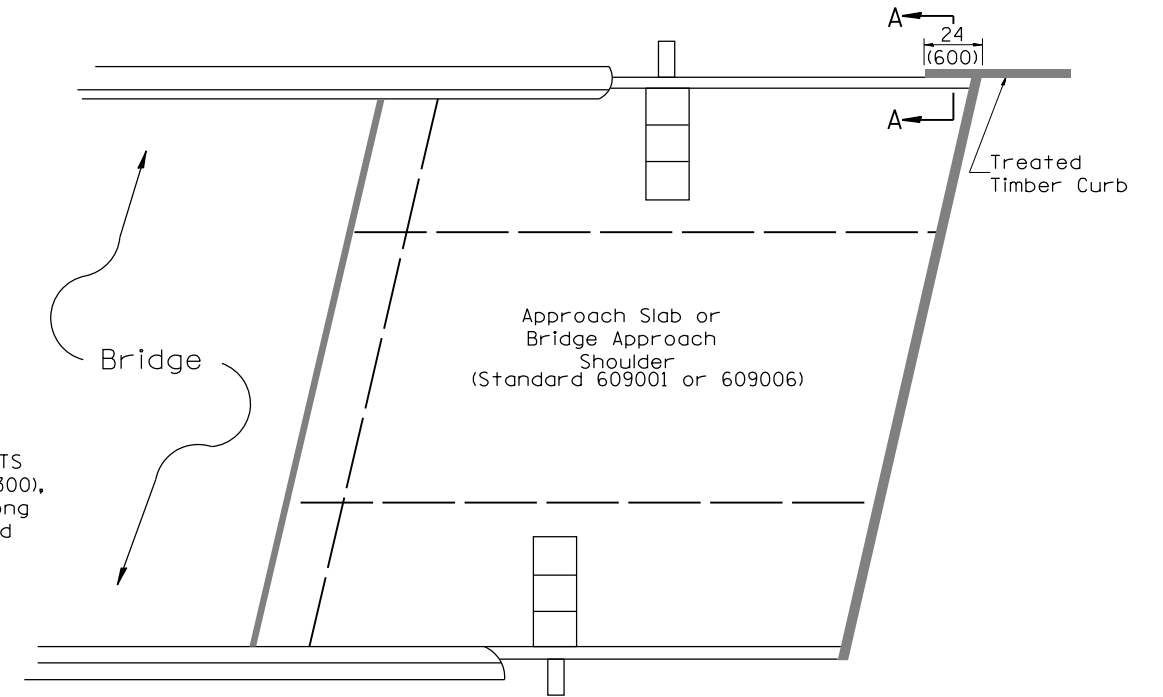
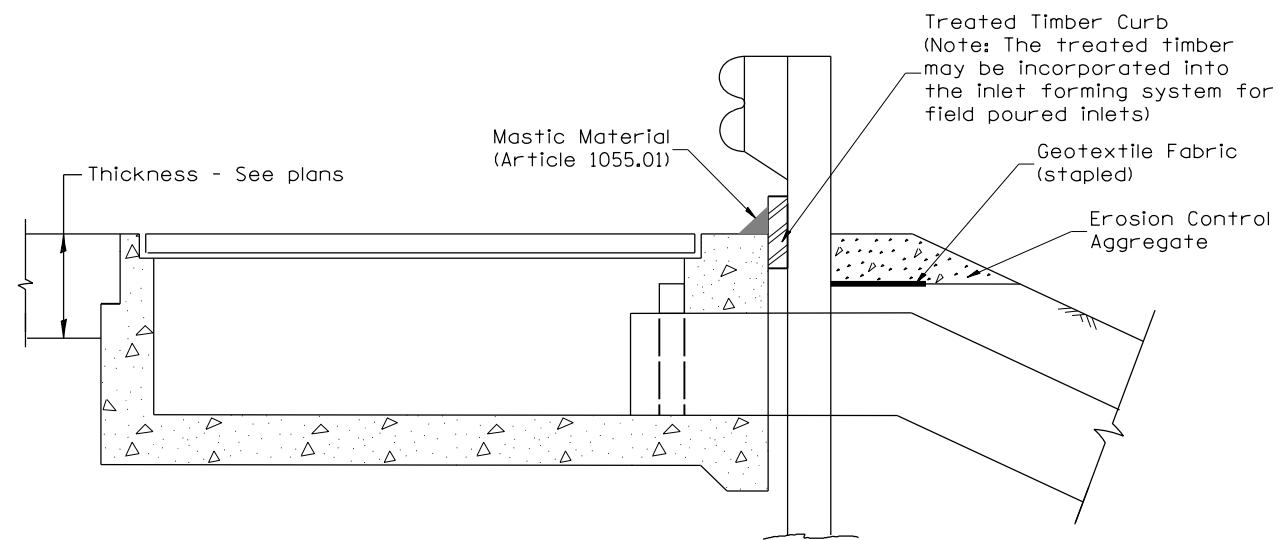


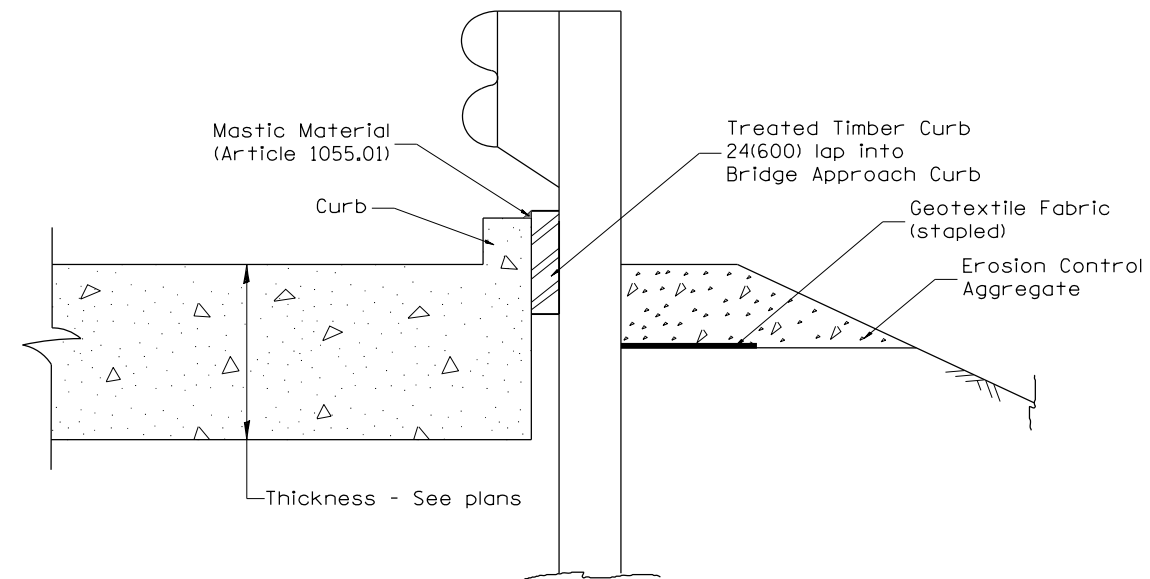
**DETAIL A**  
(Typical Treated Timber Splices)



**PLAN VIEW**  
**APPROACH SLAB OR BRIDGE APPROACH SHOULDER**  
(STANDARD 609001 or 609006)



**TYPICAL SECTION WITH EROSION CONTROL CURB**  
**AT INLETS TYPE E & F (STANDARD 610001)**



**SECTION A-A**  
**TYPICAL SECTION WITH EROSION CONTROL CURB**  
**AT BRIDGE APPROACH CURB**  
(STANDARD 609001 OR 609006)

All dimensions are in inches (millimeters) unless otherwise noted.

|                     |            |                           |              |   |  |   |  |                                    |  |                    |  |
|---------------------|------------|---------------------------|--------------|---|--|---|--|------------------------------------|--|--------------------|--|
|                     |            |                           |              | <b>STATE OF ILLINOIS<br/>DEPARTMENT OF TRANSPORTATION</b> |  | <b>GUARDRAIL EROSION CONTROL TREATMENTS</b> |  | SHT. 2 OF 2<br>CADD STD. 630101-D4 |  | CONTRACT NO. 68671 |  |
| F.A. RTE.           | SECTION    | COUNTY                    | TOTAL SHEETS | SHEET NO.   |  |   |  |                                    |  |                    |  |
| 673                 | (102B-1)BR |                           | 89           | 74  |  |   |  |                                    |  |                    |  |
| FED. ROAD DIST. NO. |            | ILLINOIS FED. AID PROJECT |              |   |  |   |  |                                    |  |                    |  |