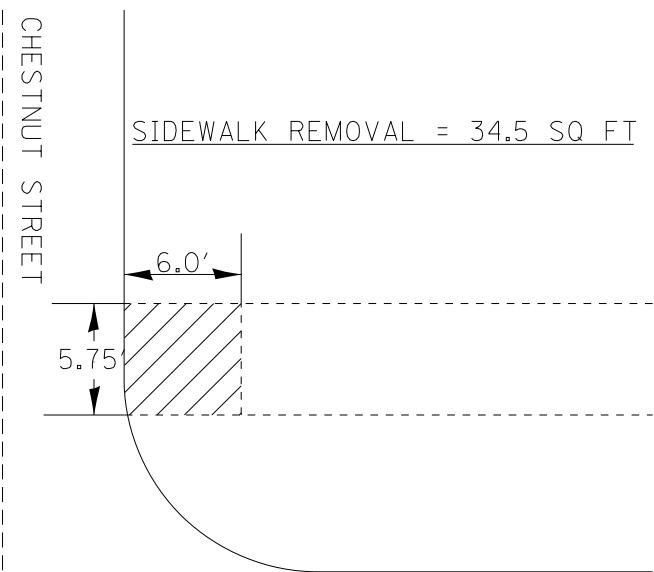
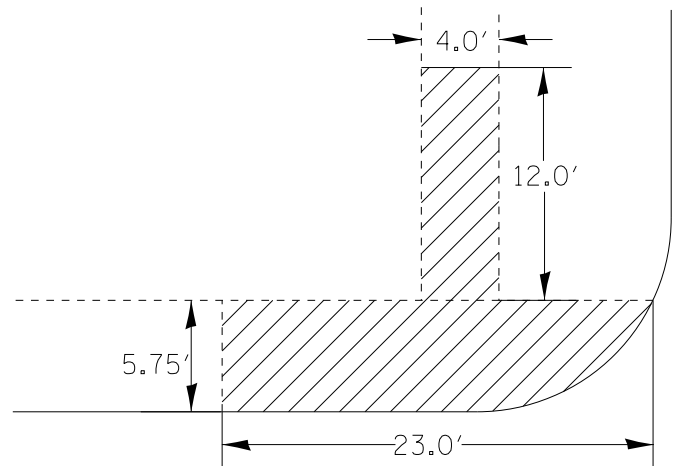


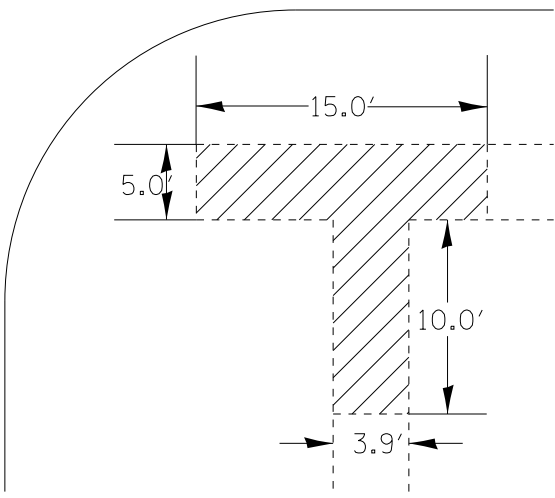
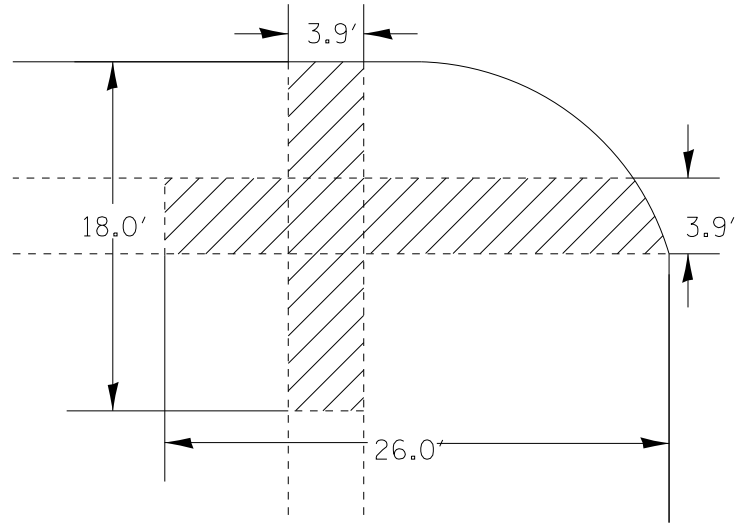
*USE STANDARD DETECTABLE WARNING W/ DIMENSIONS OF 5' X '2, UNLESS OTHERWISE NOTED.



SIDEWALK REMOVAL, SPL = 180.3 SQ FT



IL 117 (SANTA FE AVE)



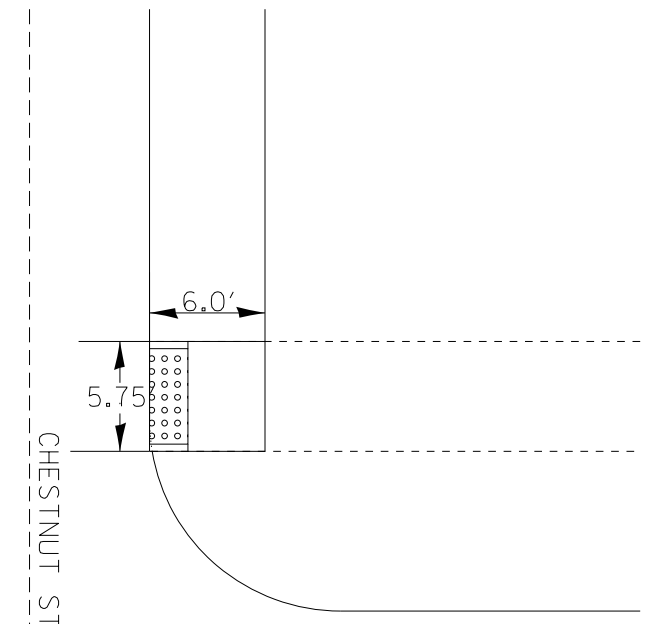
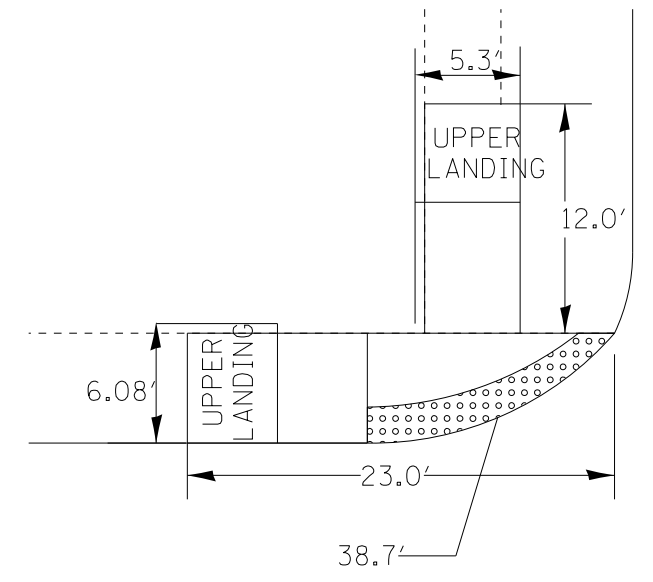
SIDEWALK REMOVAL = 171.6 SQ FT

SIDEWALK REMOVAL = 114 SQ FT

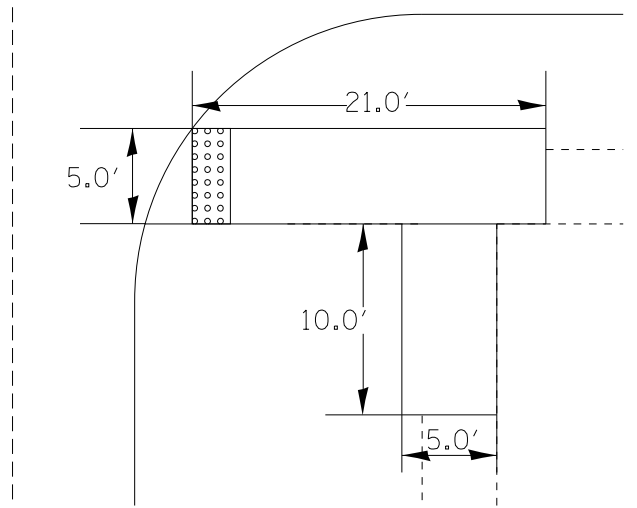
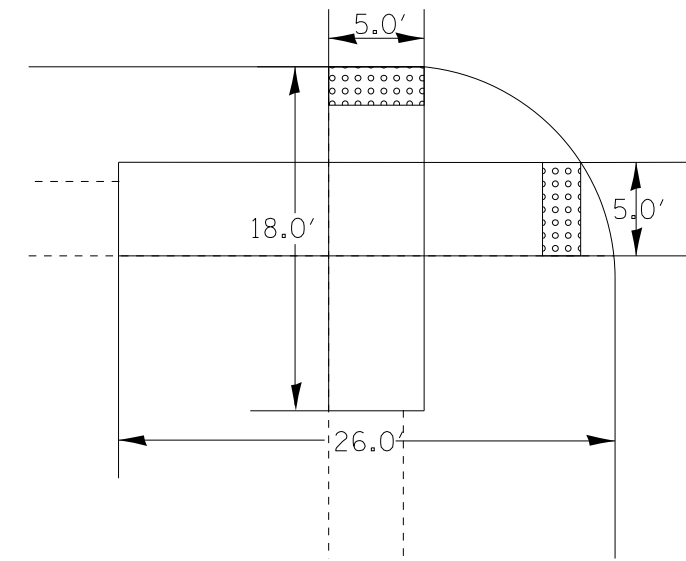
EXISTING

PROP. PCC SIDEWALK 4" SPL= 192.3 SQ. FT
USE STANDARD 424021
DETECTABLE WARNINGS= 77.5 SQ FT.

PROP. PCC SIDEWALK = 34.5 SQ FT
USE RURAL DETAIL A-A AND B-B
DETECTABLE WARNINGS= 10 SQ FT



IL 117 (SANTA FE AVE)



PROP. PCC SIDEWALK= 220 SQ. FT
USE RURAL DETAIL A-A AND B-B
DETECTABLE WARNINGS= 20 SQ FT.

PROP. PCC SIDEWALK = 155 SQ FT
USE RURAL DETAIL A-A AND B-B
DETECTABLE WARNINGS= 10 SQ FT

PROPOSED

REMOVAL

DRAWING NOT TO SCALE

FILE NAME = 68982.dgn	USER NAME = aubreys	DESIGNED -	REVISED -
Default	PLOT SCALE = 48.0000' / in.	DRAWN -	REVISED -
	PLOT DATE = 3/21/2013	CHECKED -	REVISED -
		DATE -	REVISED -

STATE OF ILLINOIS
DEPARTMENT OF TRANSPORTATION

SIDEWALK DETAILS (IL 117/SANTA FE AND CHESTNUT ST)

SCALE: SHEET 24 OF 51 SHEETS STA. 561+00 TO STA. 561+50

F.A.S. RTE.	SECTION	COUNTY	TOTAL SHEETS	SHEET NO.
2361	101 RS-4; 102 RS-5	MARSHALL	51	24
CONTRACT NO. 68982				
ILLINOIS FED. AID PROJECT				