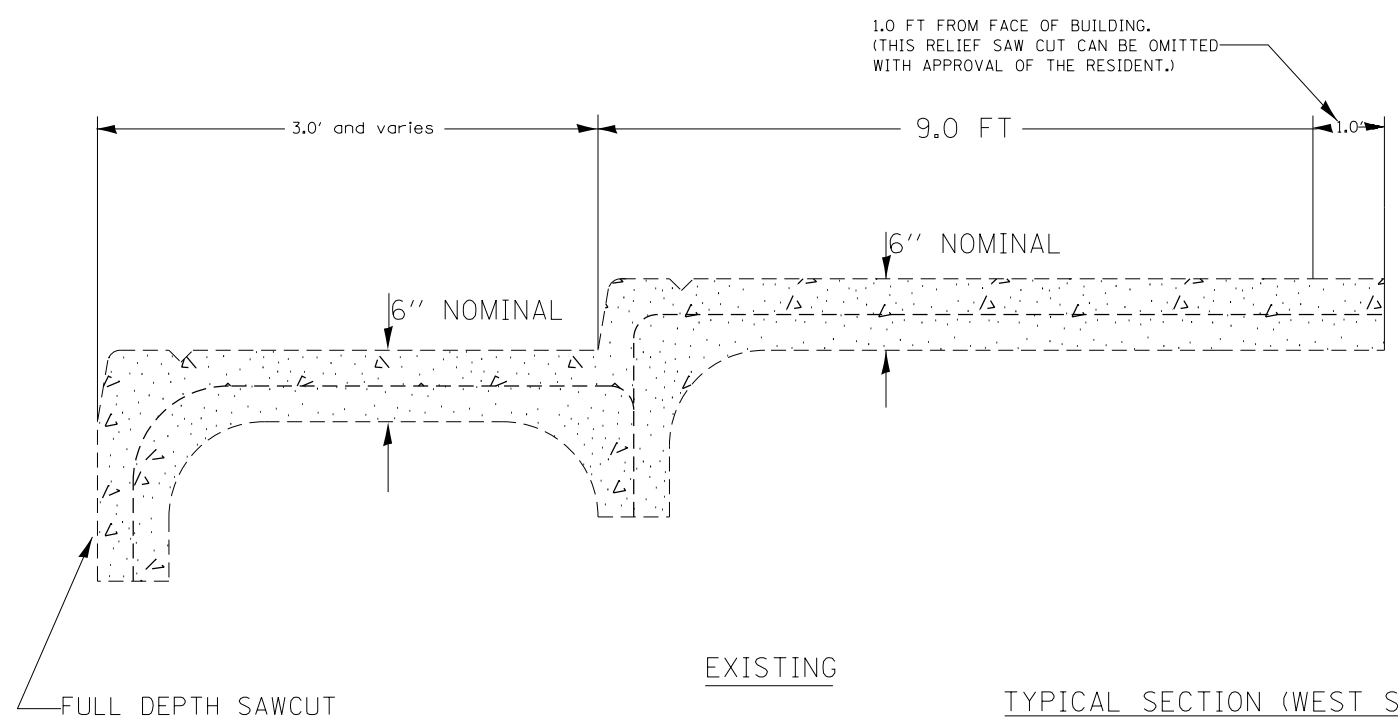


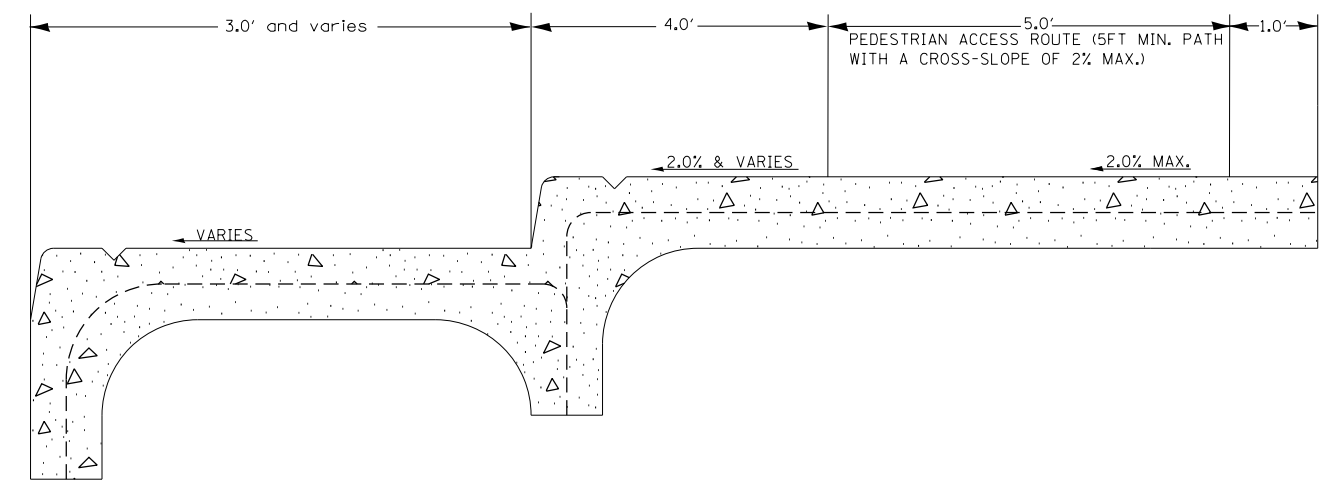
COMBINATION CONCRETE CURB-SIDEWALK 4" SPECIAL DETAILS

LT. STA 568+70 TO STA 572+40

*NOTE: CONTRACTOR SHALL FILL REMAINING VOID WITH POROUS GRANULAR EMBANKMENT. (SEE SECTION 207 OF STANDARD SPECIFICATIONS FOR ROADS AND BRIDGE CONSTRUCTION.)



EXISTING



PROPOSED

TYPICAL SECTION (WEST SIDEWALK FROM SANTA FE TO TOPEKA)

LT. STA 568+70 TO STA 572+40

| | | | | | | | | | | | | |
|-----------------------|-----------------------------|------------|-----------|---|------------------------------------|--------------------|----------------------------|-----------------|-----------------|---------------------------|--|--|
| FILE NAME = 68982.dgn | USER NAME = aubreygs | DESIGNED - | REVISED - | STATE OF ILLINOIS DEPARTMENT OF TRANSPORTATION | SIDEWALK SPECIAL 4" DETAILS | F.A.S. RTE. 2361 | SECTION 101 RS-4; 102 RS-5 | COUNTY MARSHALL | TOTAL SHEETS 51 | SHEET NO. 33 | | |
| Default | PLOT SCALE = 40.0000' / in. | DRAWN - | REVISED - | | | SCALE: | SHEET 33 OF 51 SHEETS | STA. 568+70 | TO STA. 572+40 | ILLINOIS FED. AID PROJECT | | |
| | PLOT DATE = 3/21/2013 | CHECKED - | REVISED - | | | CONTRACT NO. 68982 | | | | | | |
| | | DATE - | REVISED - | | | | | | | | | |