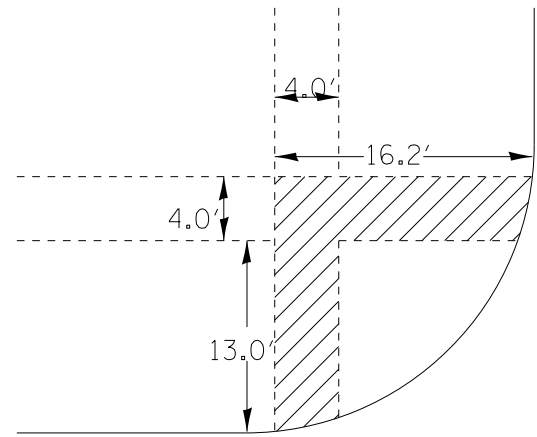


\*USE STANDARD DETECTABLE WARNING W/ DIMENSIONS OF 5' X '2, UNLESS OTHERWISE NOTED.



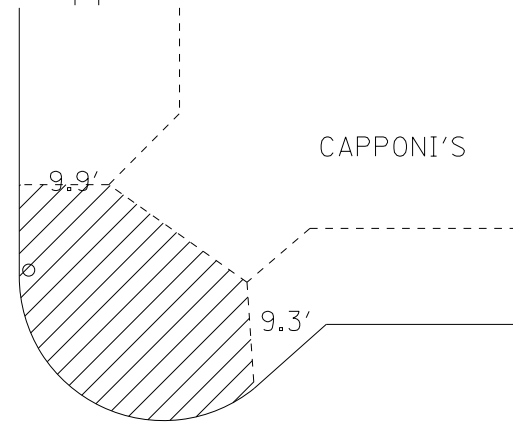
SIDEWALK REM. = 116.8 SQ FT



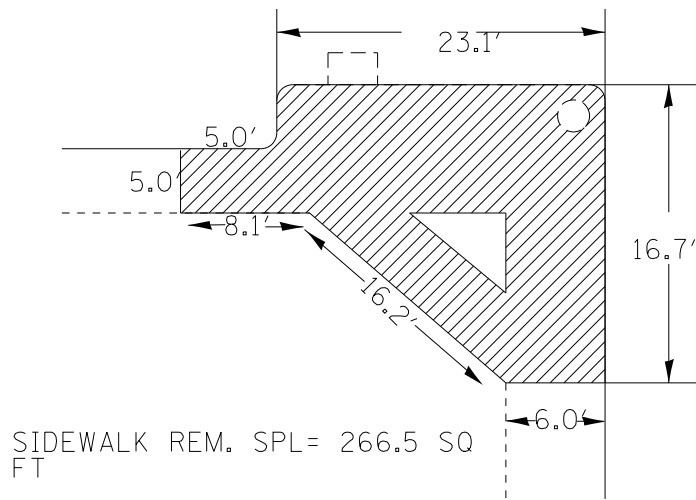
ATCHISON STREET

IL 117 (MAIN ST)

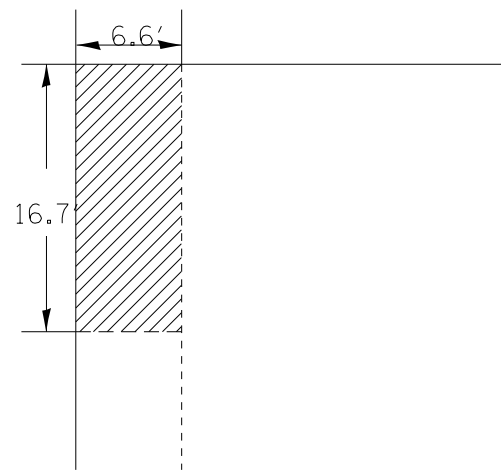
SIDEWALK REM. SPL = 104.7 SQ FT



CAPPONI'S



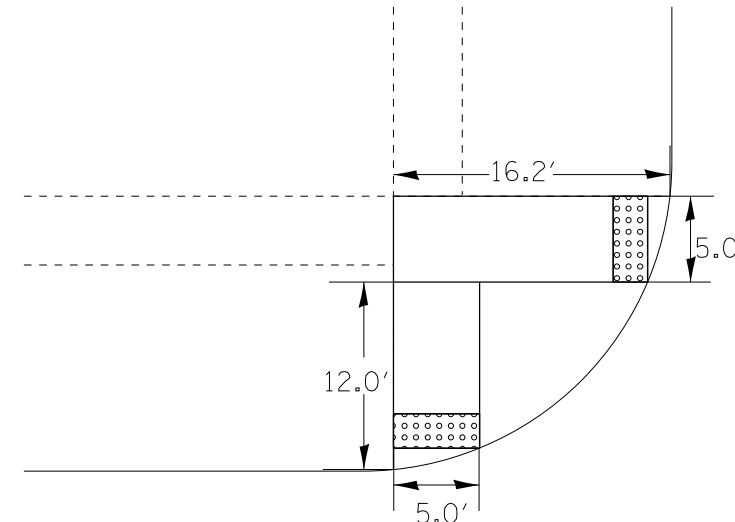
SIDEWALK REM. SPL = 266.5 SQ FT



SIDEWALK REM SPL = 110.2 SQFT

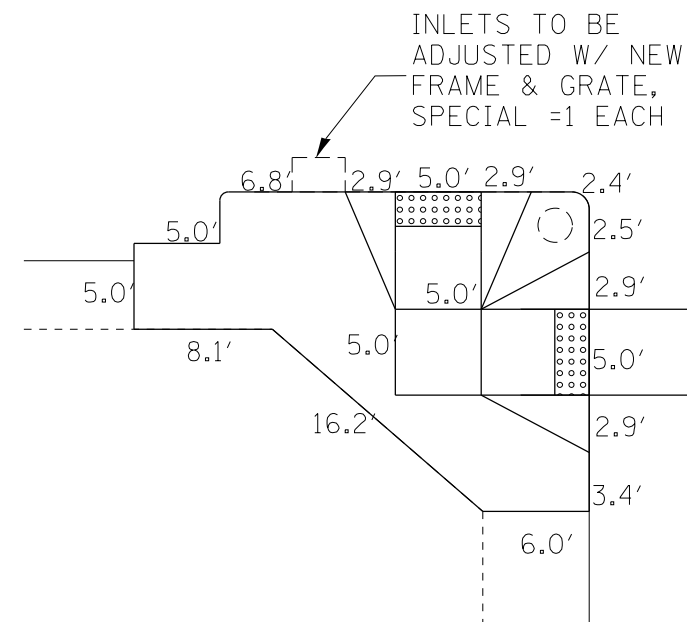
EXISTING

PROP. PCC SIDEWALK = 141 SQ FT  
USE RURAL DETAIL A-A AND B-B  
DETECTABLE WARNINGS = 20 SQ FT



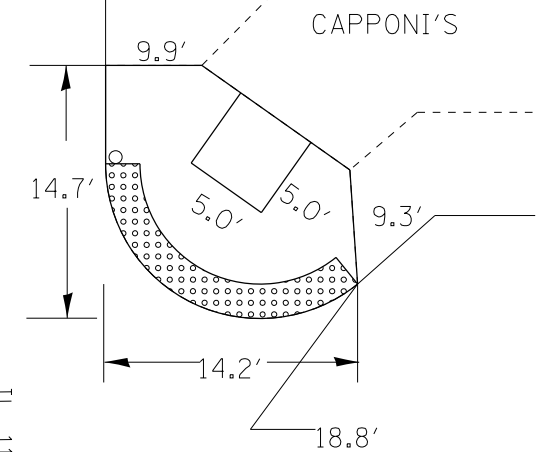
ATCHISON STREET

IL 117 (MAIN ST)



PROP. PCC SIDEWALK 4" SPL. = 283.9 SQ FT  
DETECTABLE WARNINGS = 20 SQ FT

PROP. PCC SIDEWALK 4" SPL = 104.7 SQ FT  
USE STANDARD 424021  
DETECTABLE WARNINGS = 37.7 SQ FT



CAPPONI'S

PROPOSED

PROP. PCC SIDEWALK 4", SPL = 133.6 SQ FT  
USE RURAL DETAIL A-A AND B-B  
DETECTABLE WARNINGS = 20 SQ FT

REMOVAL

DRAWING NOT TO SCALE

FILE NAME = 68982.dgn	USER NAME = aubreys	DESIGNED -	REVISED -
Default		DRAWN -	REVISED -
	PLOT SCALE = 40.0000' / in.	CHECKED -	REVISED -
	PLOT DATE = 3/21/2013	DATE -	REVISED -

STATE OF ILLINOIS  
DEPARTMENT OF TRANSPORTATION

SIDEWALK DETAILS (IL 117 AND ATCHISON ST)

SCALE: SHEET 36 OF 51 SHEETS STA. 576+00

F.A.S. RTE.	SECTION	COUNTY	TOTAL SHEETS	SHEET NO.
2361	101 RS-4; 102 RS-5	MARSHALL	51	36
CONTRACT NO. 68982				
ILLINOIS FED. AID PROJECT				