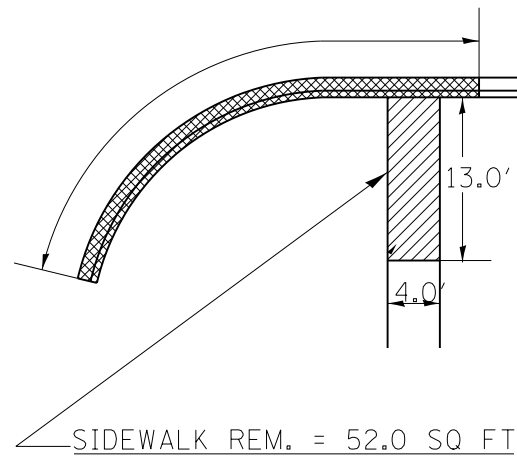


\*USE STANDARD DETECTABLE WARNING W/ DIMENSIONS OF 5' X '2, UNLESS OTHERWISE NOTED.

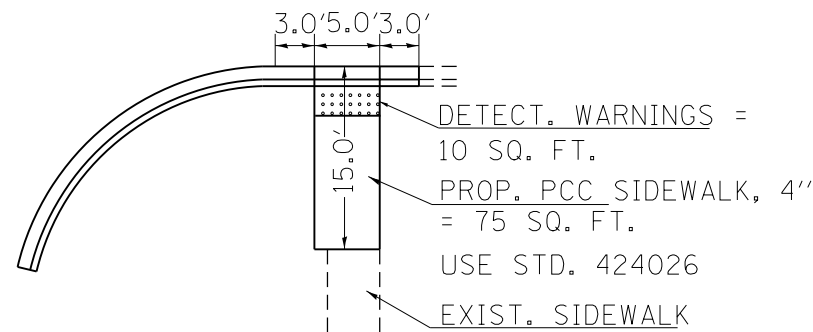
E. VIA GHIGLIERI ST.

COMB. CURB & GUTTER REM. = 38.0 FT



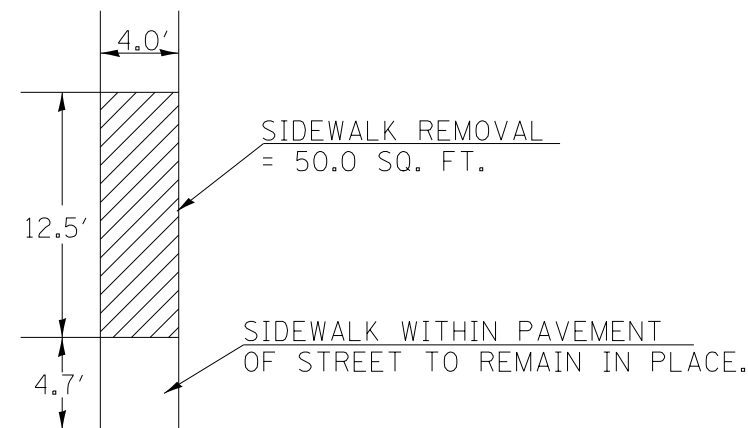
EXISTING

PROP. CCC&G, TYP B-6.12 = 34 FT. TRANSITION FROM

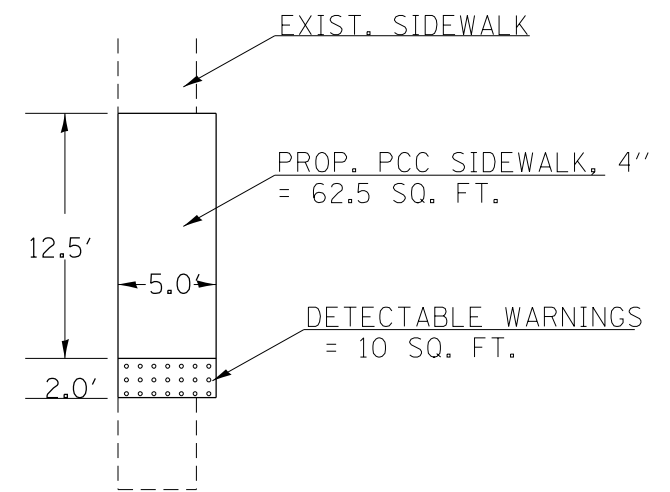


PROPOSED

NW QUADRANT OF THIRD ST

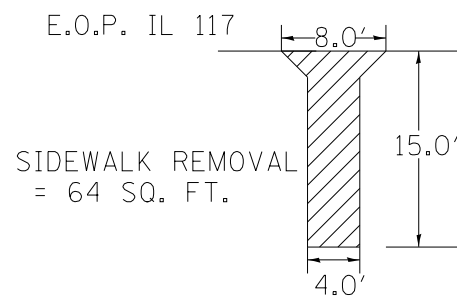


EXISTING

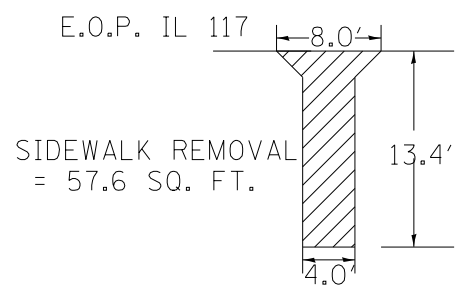


PROPOSED  
USE RURAL DETAIL SECTION A-A

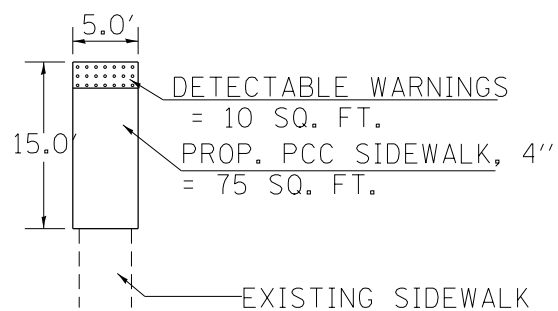
CROSSWALK NORTH TOLUCA BETWEEN 3RD ST AND GHIGLIER ST



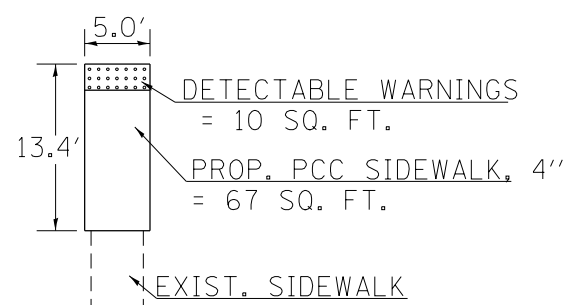
RT. SIDE EXISTING



LT. SIDE EXISTING

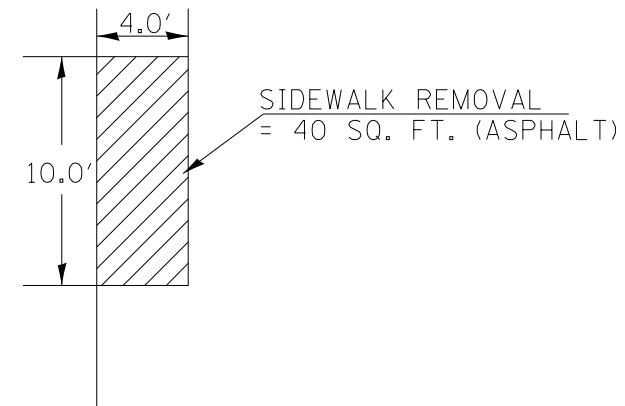


RT. SIDE PROPOSED  
USE RURAL DETAIL SECTION B-B

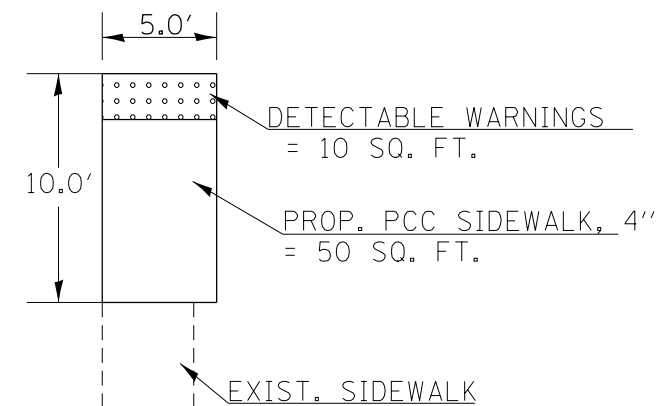


LT. SIDE PROPOSED  
USE RURAL SIDEWALK RAMP  
DETAIL SECTION B-B

SW QUADRANT OF THIRD ST.



EXISTING



PROPOSED  
USE RURAL SIDEWALK RAMP DETAIL SHEET  
SECTION A-A

REMOVAL

FILE NAME = 68982.dgn	USER NAME = aubreys	DESIGNED -	REVISED -
Default	PLOT SCALE = 48.0000' / in.	DRAWN -	REVISED -
	PLOT DATE = 3/21/2013	CHECKED -	REVISED -
		DATE -	REVISED -

STATE OF ILLINOIS  
DEPARTMENT OF TRANSPORTATION

SIDEWALK DETAILS

SCALE: SHEET 39 OF 51 SHEETS

F.A.S. RTE. 2361	SECTION 101 RS-4; 102 RS-5	COUNTY MARSHALL	TOTAL SHEETS 51	SHEET NO. 39
CONTRACT NO. 68982				
ILLINOIS FED. AID PROJECT				

DRAWING NOT TO SCALE