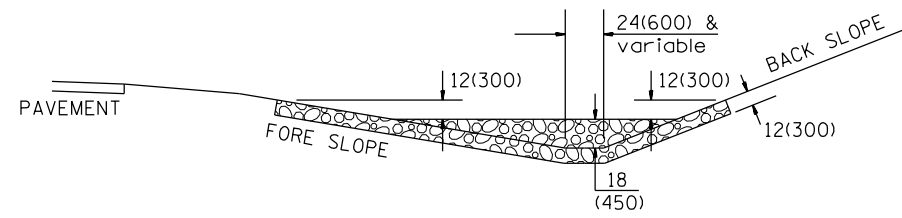
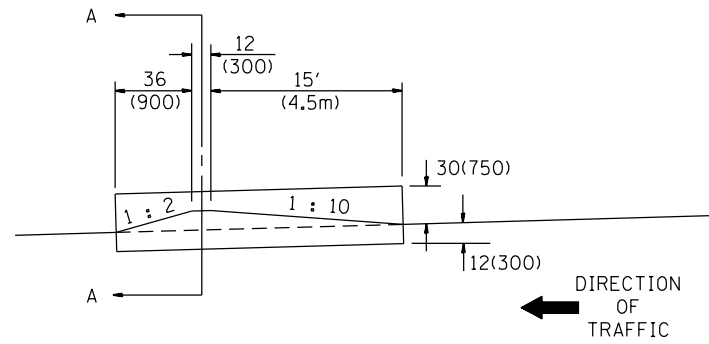


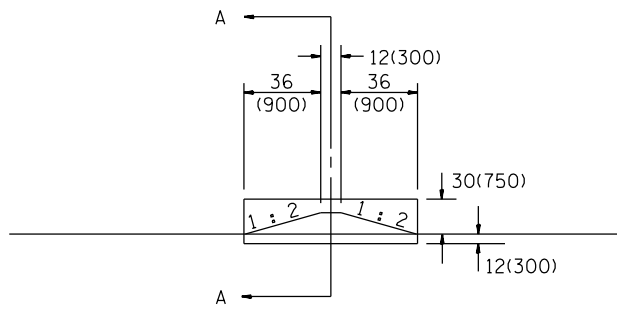
DESIGNER NOTES:
 1. Designer to modify this detail Special Detail Sheet, as needed, for inclusion in plans.
 2. Determine the required clear zone in order to select the berm slopes.
 3. Include State Standard 280001.



SECTION A - A

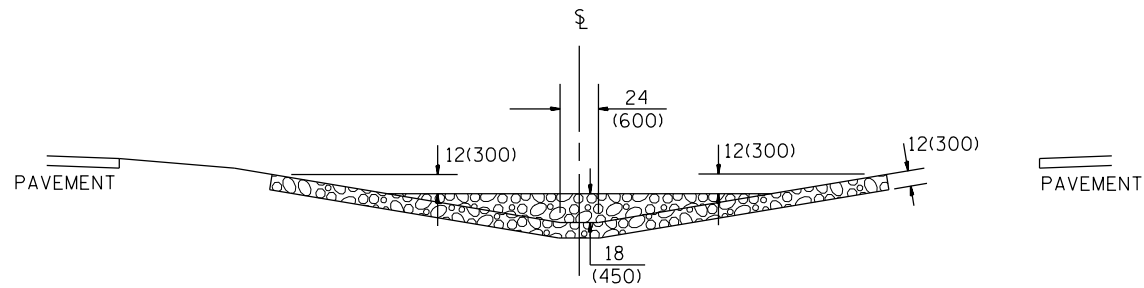


SIDE VIEW (WITHIN CLEAR ZONE)

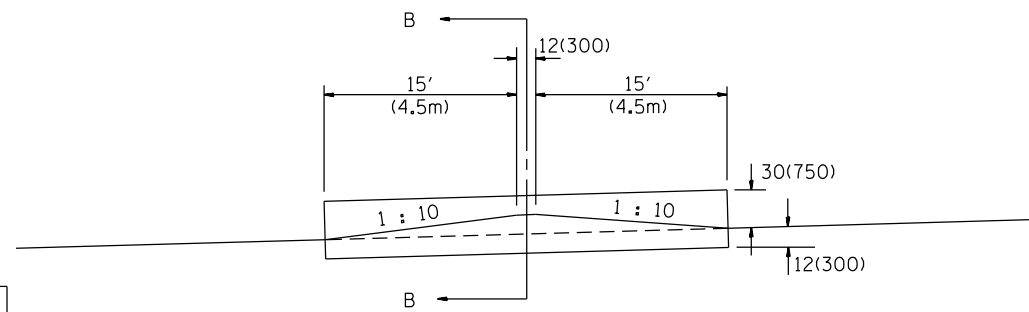


SIDE VIEW (OUTSIDE OF CLEAR ZONE)

SIDE DITCH AGGREGATE DITCH CHECK



SECTION B - B



SIDE VIEW

MEDIAN AGGREGATE DITCH CHECK

NOTES:

- FOR DITCH BOTTOM PROTECTED BY EROSION CONTROL BLANKET, USE 400'(120m) SPACING. FOR SEEDED DITCH BOTTOM, USE 200'(60m) SPACING.
- THIS WORK CONSISTS OF THE COMPLETE INSTALLTION OF EROSION CONTROL DITCH CHECK AT LOCATIONS AS SHOWN ON THE PLANS, OR AS DIRECTED BY THE ENGINEER. THE AGGREGATE GRADATION SHALL BE RR3 WITH A MINIMUM QUALITY OF CLASS B.

STATION	LOCATION		NUMBER OF DITCH CHECKS	FORE SLOPE	DITCH BOTTOM WIDTH	BACK SLOPE	BERM SLOPE
	MEDIAN	SIDE DITCH LEFT RIGHT					

ESTIMATE QUANTITIES

	FORE SLOPE	DITCH BOTTOM	BACK SLOPE	BERM SLOPE	AGGREGATE DITCH CHECK EROSION CONTROL TON (METRIC TON)
MEDIAN DITCH	1 : 6	24(600)	—	1 : 10	95(86)
SIDE DITCH	1 : 6	24(600)	1 : 4	1 : 10 & 1 : 2	50(45)
SIDE DITCH	1 : 6	24(600)	1 : 4	1 : 2 & 1 : 2	19(17)
SIDE DITCH	1 : 4	24(600)	1 : 3	1 : 10 & 1 : 2	18(16)
SIDE DITCH	1 : 4	24(600)	1 : 3	1 : 2 & 1 : 2	14(13)

All slope ratios are expressed as units of vertical displacement to units of horizontal displacement (V:H).
 All dimensions are in inches (millimeters) unless otherwise noted.

QUANTITIES	
CALC. BY:	DATE:
CHECKED BY:	DATE:

QUANTITY CALCULATIONS ARE ON FILE AT THE DISTRICT 4 OFFICE; BUREAU OF PROJECT IMPLEMENTATION; DOCUMENTATION SECTION

1-1-97	RENUM. A-12.04, NEW REVISION BOX, REVISED TITLE BOX, ADDED QUANTITY CALCULATION BOX	T.P.	03-15-12	CHANGED NOTE 1.	R.D.
9-15-05	REVISED DESIGNER NOTE	M.A.			
10-16-06	REVISED RR3 QUALITY & TO 2007 SPEC.	M.A.			

**STATE OF ILLINOIS
DEPARTMENT OF TRANSPORTATION**

EROSION CONTROL AGGREGATE DITCH CHECK

NOT TO SCALE

F.A.P. RTE.	SECTION	COUNTY	TOTAL SHEETS	SHEET NO.
317	(18)I	FULTON	47	34
CONTRACT NO. 68A25				
FED. ROAD DIST. NO.	ILLINOIS FED. AID PROJECT			

CADD STD. 280101-D4