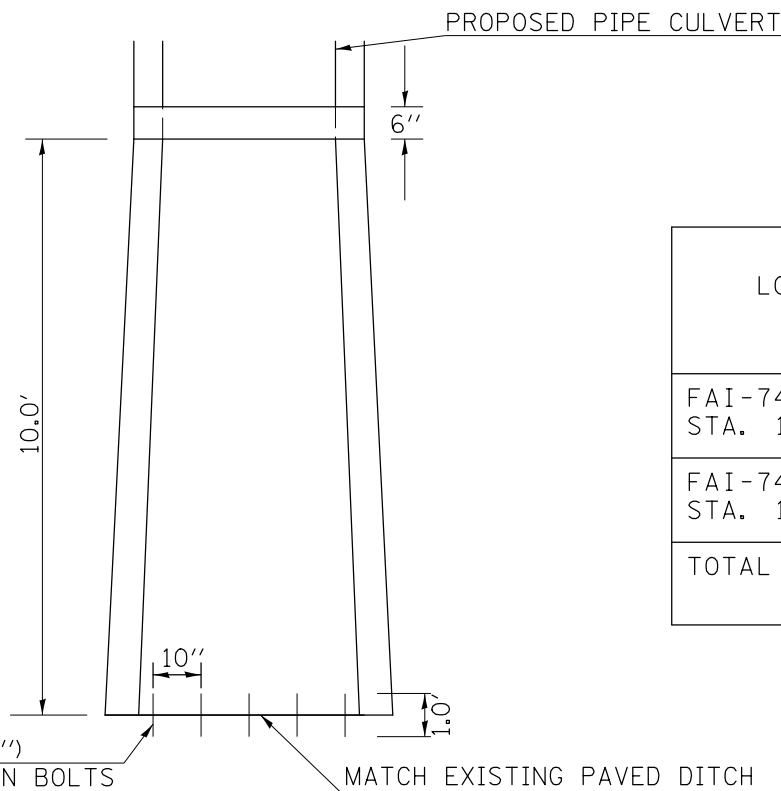
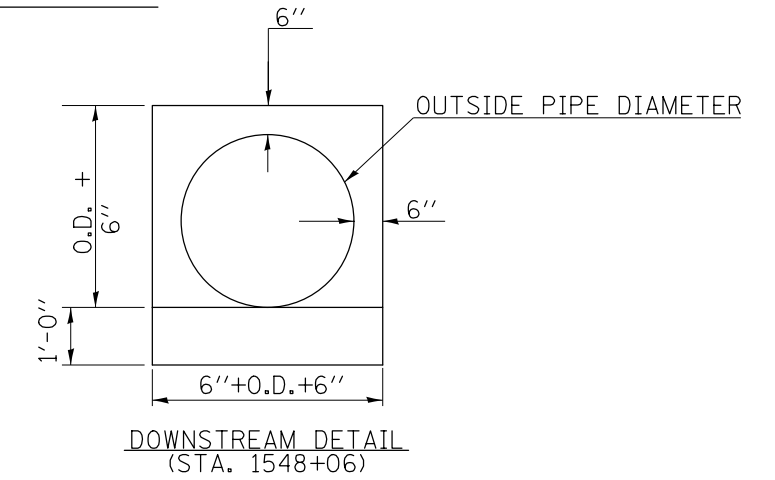
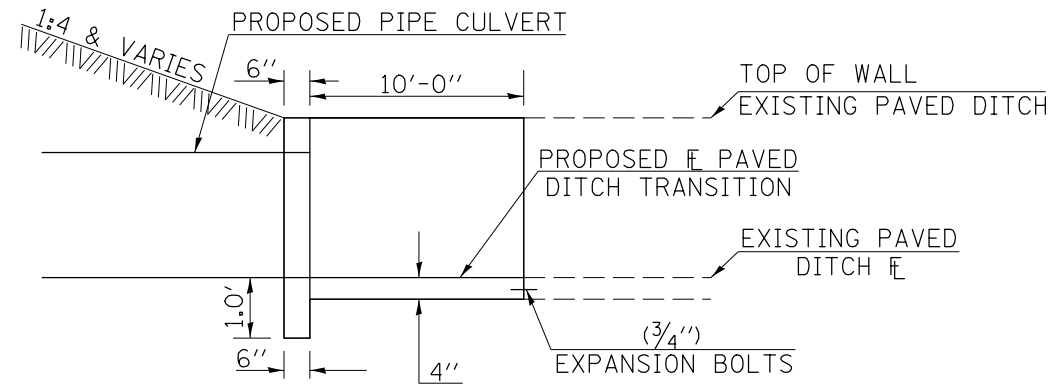
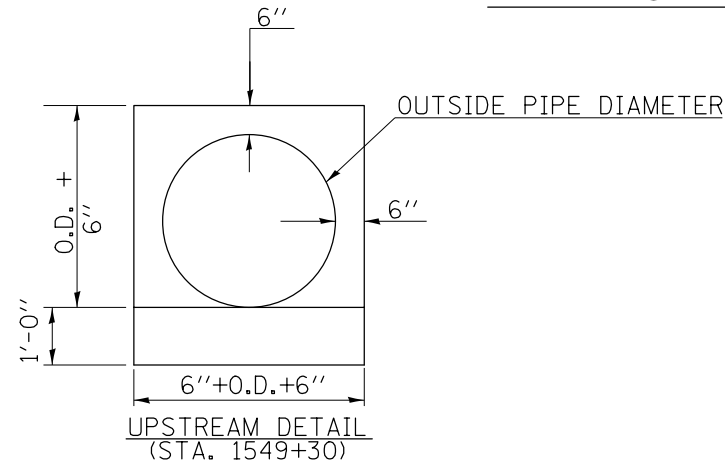


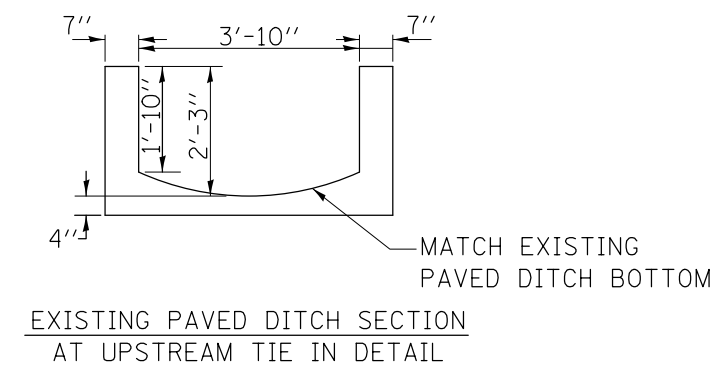
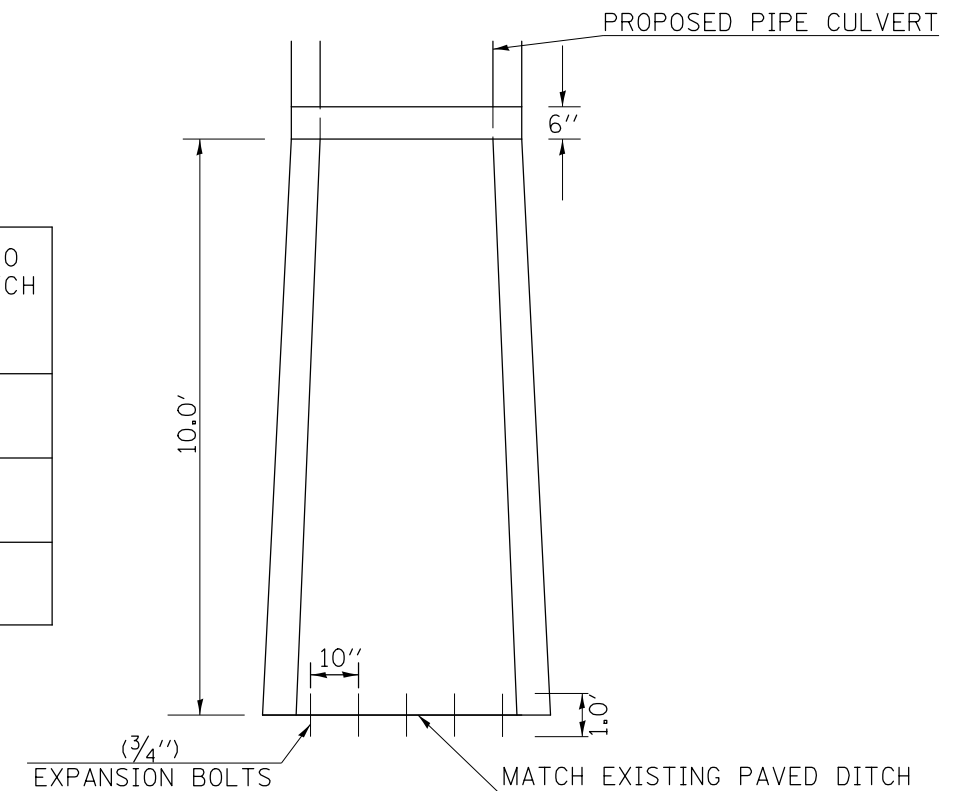
TRANSITION FROM PIPE CULVERT TO PAVED DITCH DETAIL



SCHEDULE OF QUANTITIES

LOCATION	PIPE SIZE	54002020 3/4" BOLTS (EACH)	61100605 MISCELLANEOUS CONCRETE (CU YD)	44004250 PAVED DITCH REMOVAL (FOOT)
FAI-74 LT. STA. 1549+30.00	36"	5.0	2.33	*
FAI-74 LT. STA. 1548+06.00	36"	5.0	2.55	*
TOTAL		10.0	5.00	*

* NOTE, SEE REMOVAL SCHEDULES FOR PAVED DITCH REMOVAL QTY.



GENERAL NOTES:

- CLASS SI CONCRETE SHALL BE USED THROUGHOUT.

