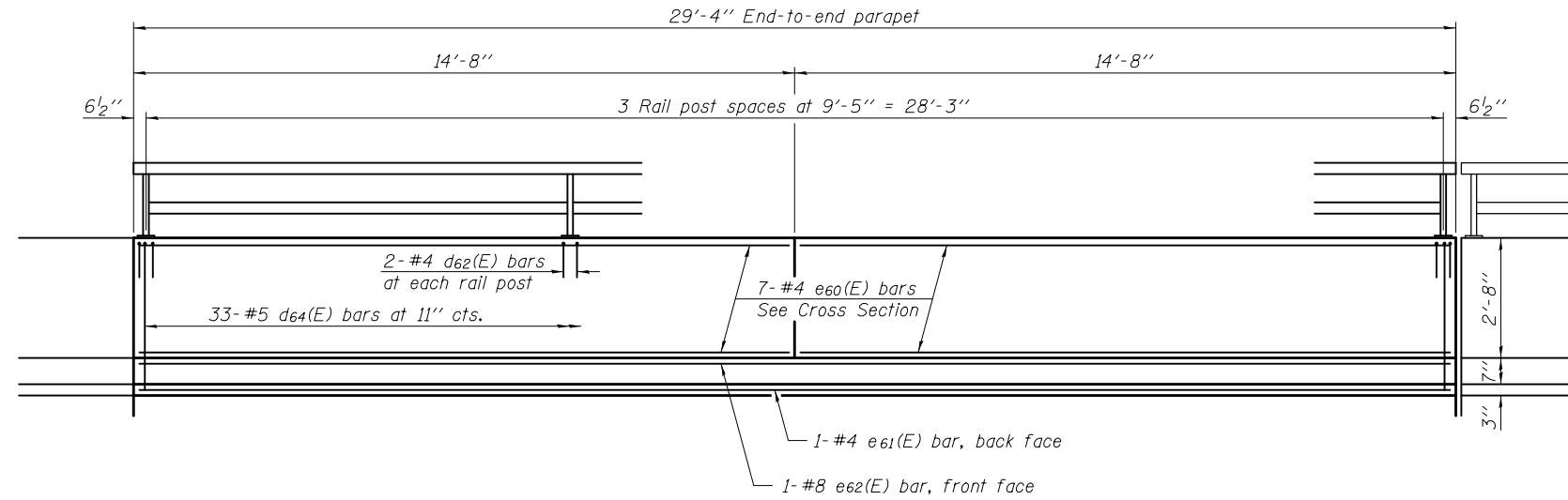
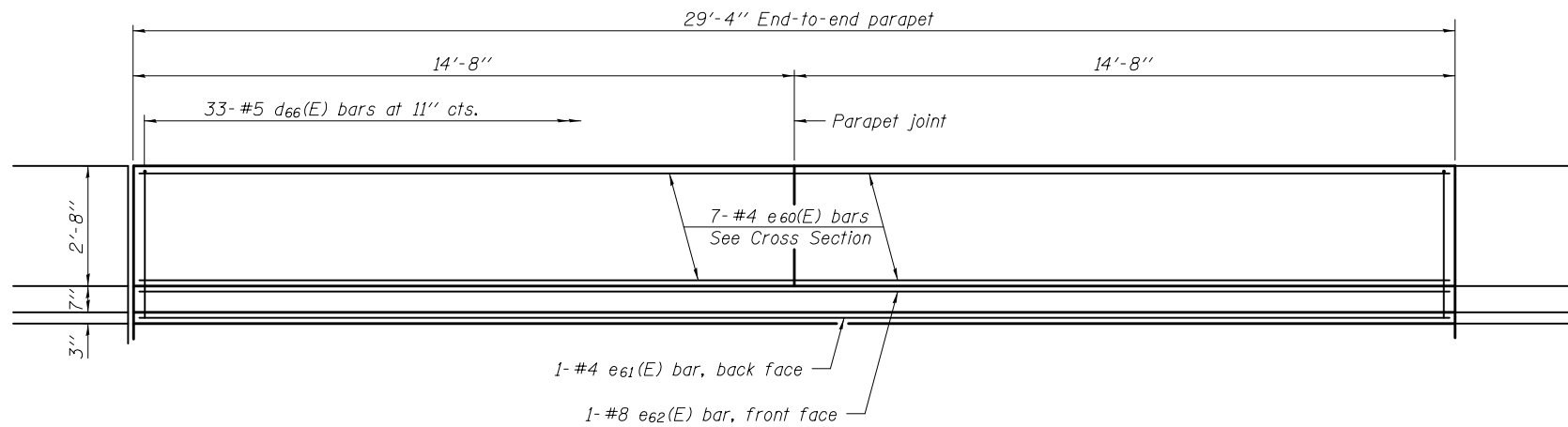


INSIDE ELEVATION OF WEST SIDEWALK PARAPET WALL
(Looking west)

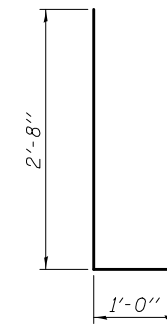
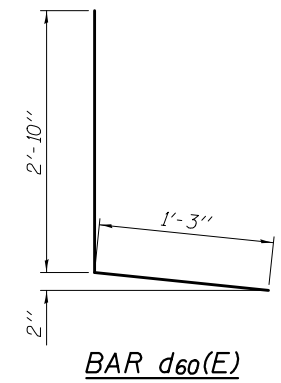


INSIDE ELEVATION OF WEST ROADWAY PARAPET
(Looking west)

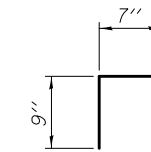


INSIDE ELEVATION OF EAST ROADWAY PARAPET
(Looking east)

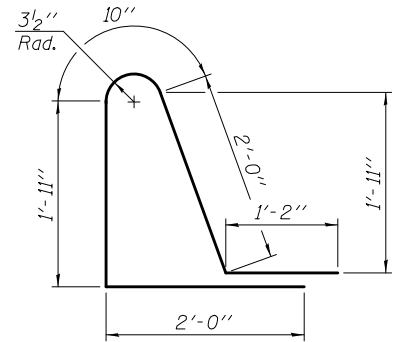
Notes
Horizontal dimensions are taken along front face of parapet wall unless otherwise noted.
See sheet 20 of 62 for parapet joint details.
See sheets 35 and 36 of 62 for Bridge Fence Railing and Parapet Railing details.



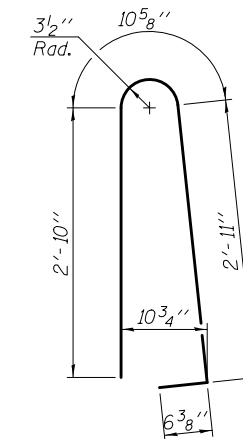
BAR d61(E)



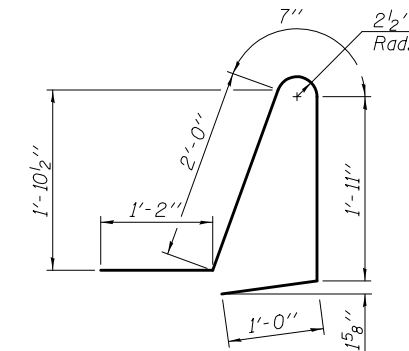
BAR d62(E)



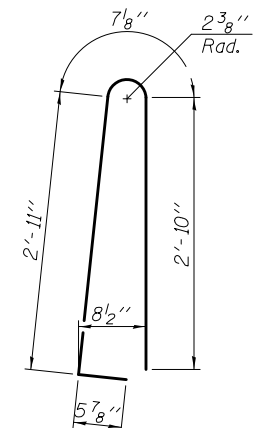
BAR d63(E)



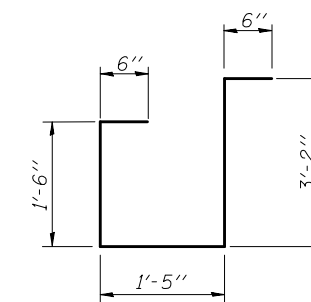
BAR d64(E)



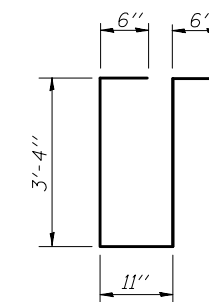
BAR d65(E)



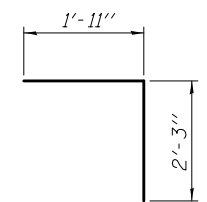
BAR d66(E)



BAR s62(E)



BAR s63(E)



BAR v81(E)

DESIGNED - NICHOLAS R. BARNETT	EXAMINED - <i>Jaime F. Joffe</i>	DATE - FEBRUARY 25, 2013
CHECKED - DEWEY H. COULTAS	ACTING ENGINEER OF BRIDGE DESIGN	
DRAWN - MICHAEL B. MOSSMAN	PASSED - <i>Carl Perry</i>	REVISED
CHECKED - D.H.C. / N.R.B.	ACTING ENGINEER OF BRIDGES AND STRUCTURES	REVISED

STATE OF ILLINOIS
DEPARTMENT OF TRANSPORTATION

SOUTH VAULTED ABUTMENT APPROACH SPAN DETAILS
STRUCTURE NO. 010 - 0289

SHEET NO. 23 OF 62 SHEETS

F.A.I. RTE.	SECTION	COUNTY	TOTAL SHEETS	SHEET NO.
74	10-4BR	CHAMPAIGN	290	108
CONTRACT NO. 70700				
ILLINOIS FED. AID PROJECT				